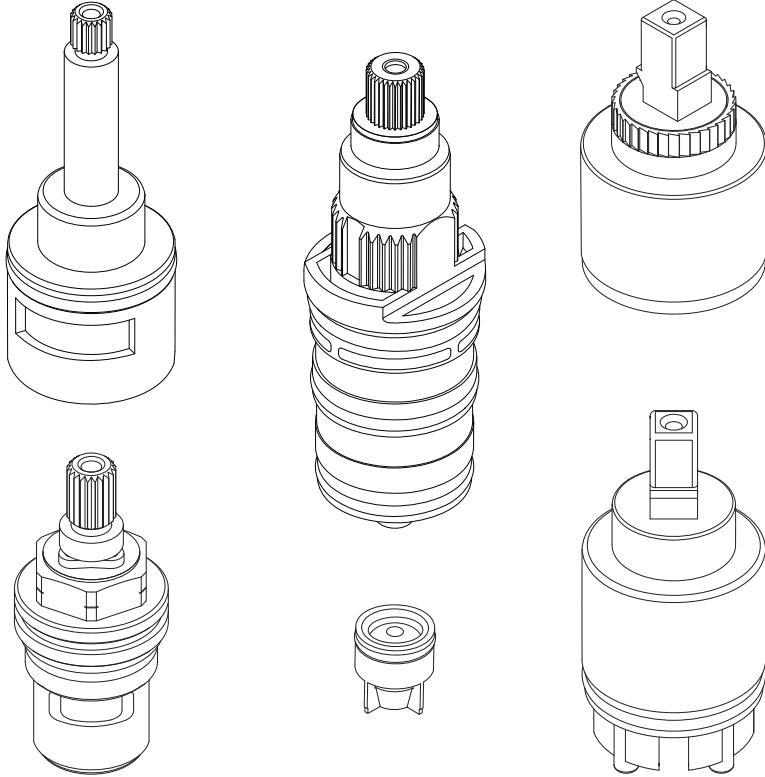




COALBROOK



**CARTRIDGE & NON-RETURN VALVE
REPLACEMENT**

IMPORTANT INFORMATION

The information contained in this guide is not model specific. Details may be different to those shown.

Flushing system

It is most important to flush out all pipework thoroughly before fitting replacement cartridges. Failure to do so is the single most common cause of replacement cartridge failure.

Water isolation

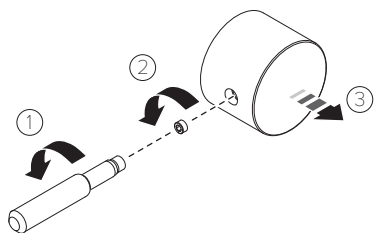
The water supply/supplies must be isolated before cartridge removal.

Final checks

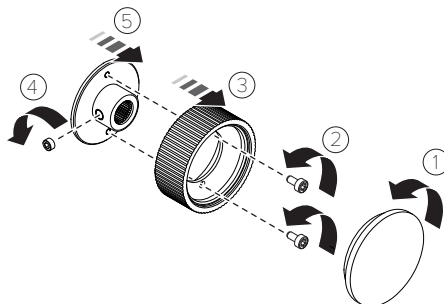
Ensure all previously removed components are replaced. Check for cartridge operation and leaks.

REMOVAL OF HANDLES - CERAMIC CARTRIDGE

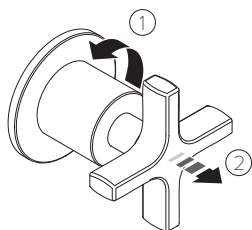
Domo & Decca lever



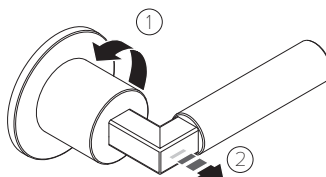
Decca handle



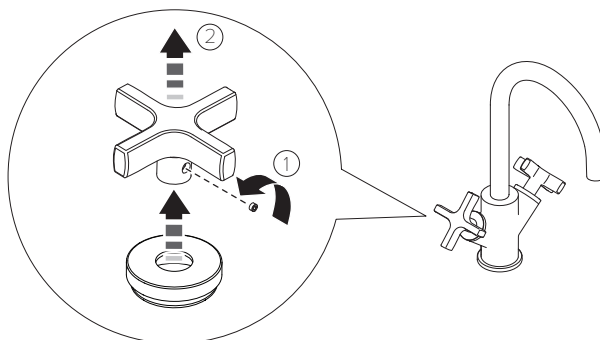
Bank cross handle



Zurich lever

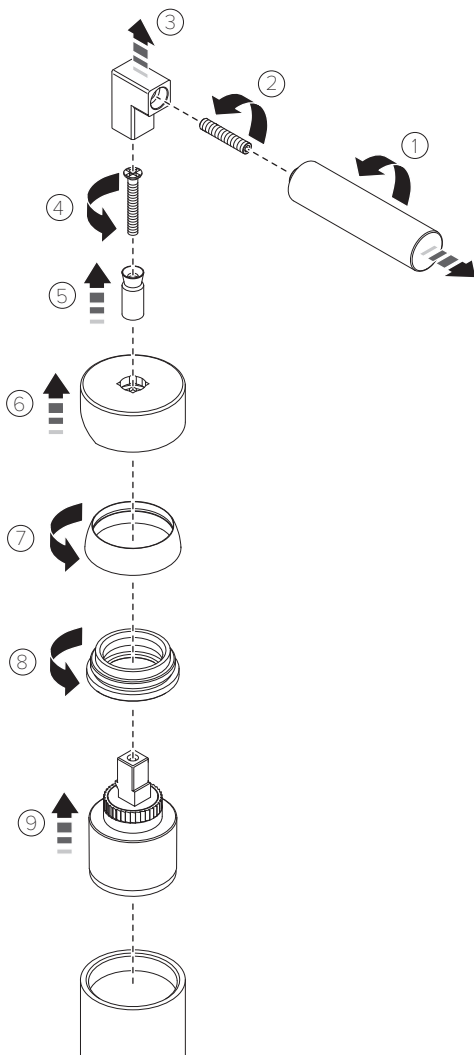


Bank cross handle (without shroud)



COALBROOK

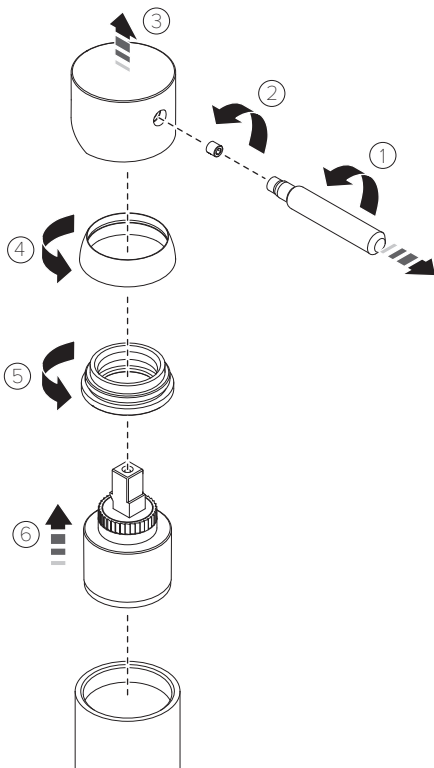
REMOVAL OF ZURICH LEVER - MIXER CARTRIDGE



COALBROOK

www.coalbrookuk.co.uk | info@coalbrookuk.co.uk

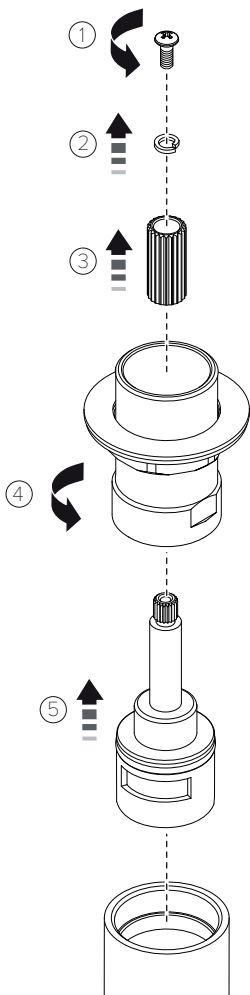
REMOVAL OF DOMO/DECCA LEVER - MIXER CARTRIDGE



COALBROOK

www.coalbrookuk.co.uk | info@coalbrookuk.co.uk

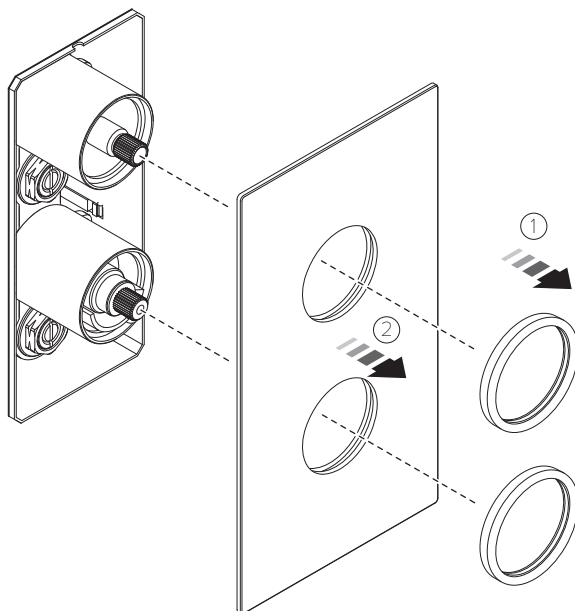
REMOVAL OF DIVERTER CARTRIDGE



COALBROOK

www.coalbrookuk.co.uk | info@coalbrookuk.co.uk

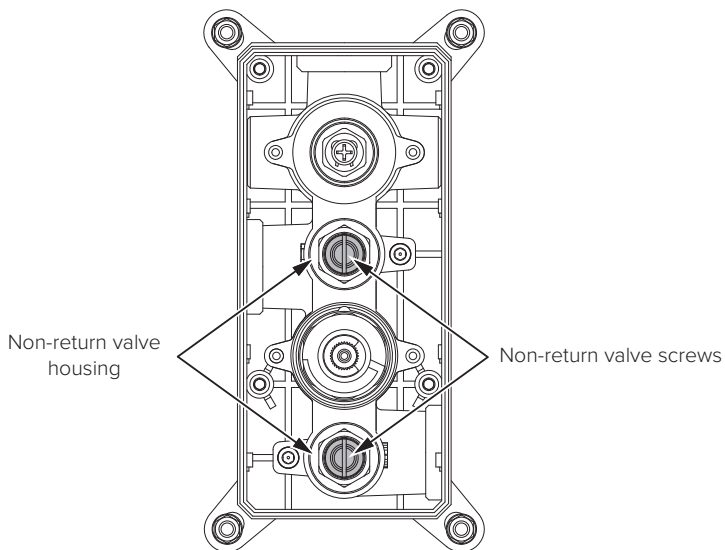
THERMOSTATIC VALVE (3001-2-3) - WALL PLATE REMOVAL



COALBROOK

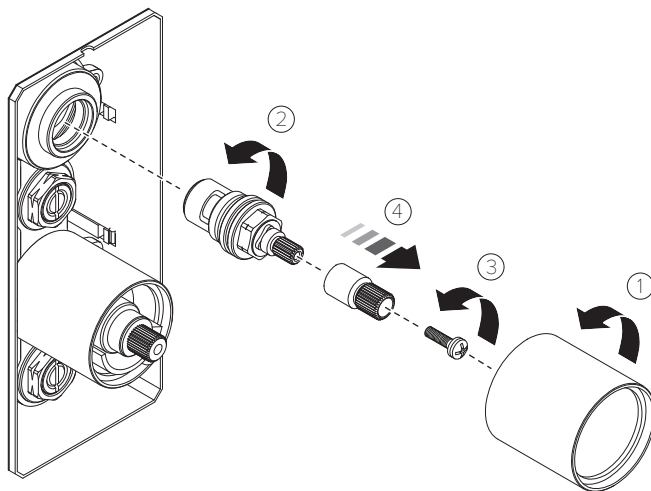
www.coalbrookuk.co.uk | info@coalbrookuk.co.uk

THERMOSTATIC VALVE (3001-2-3) - WATER SUPPLY ISOLATION



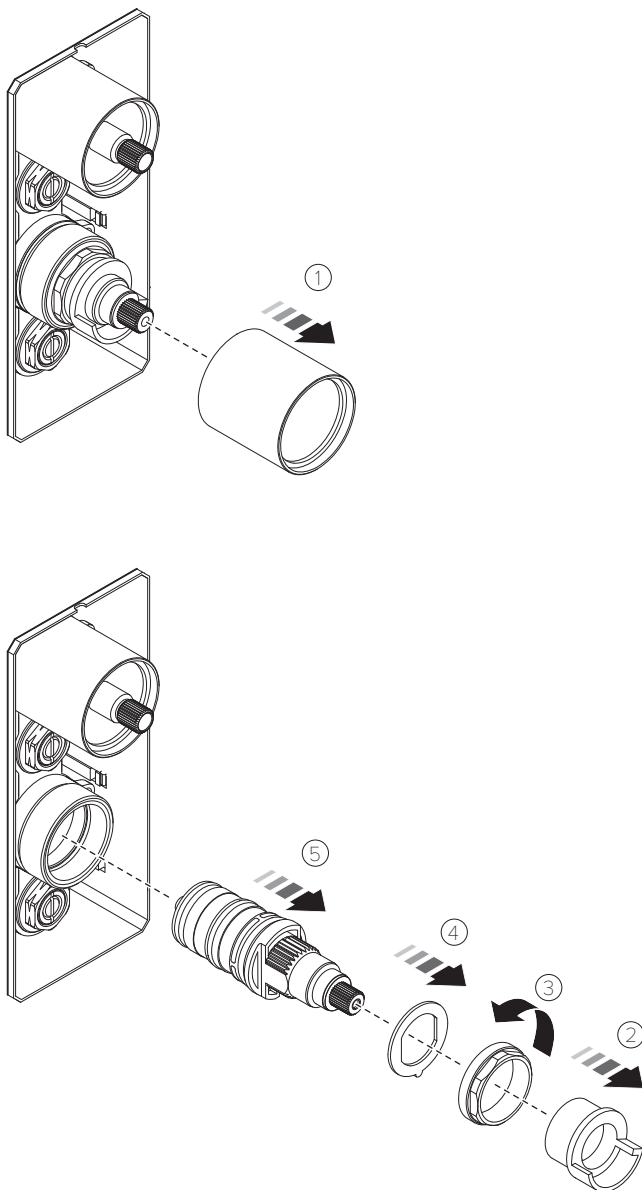
1. The thermostatic shower valve has two non-return valves. They are both factory set in the open position.
2. When servicing the thermostatic valve the water supplies must be isolated. The non-return valve housings have a screw in the centre. Use a flat bladed screwdriver to turn the screws in a clockwise direction until they reach their stop. This will isolate the water supplies. Do not over tighten the screws as this may damage the non-return valves.
3. After servicing, unscrew the screws until they are level with the hexagonal surroundings. Do not unscrew any further than this.

THERMOSTATIC VALVE (3001-2-3) - FLOW CARTRIDGE REMOVAL

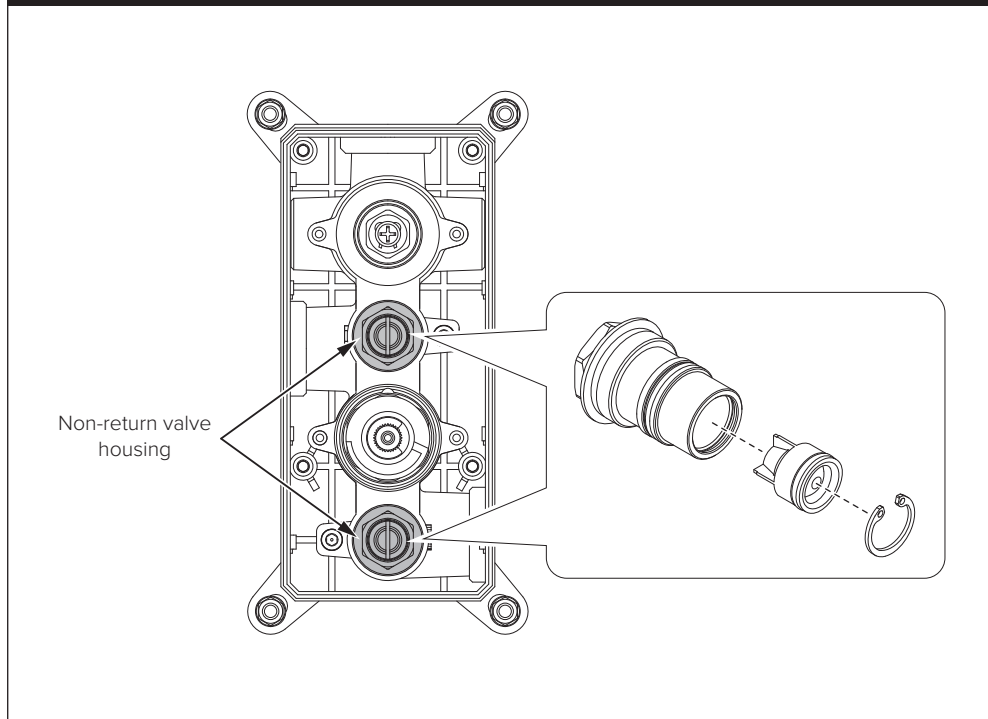


COALBROOK

www.coalbrookuk.co.uk | info@coalbrookuk.co.uk

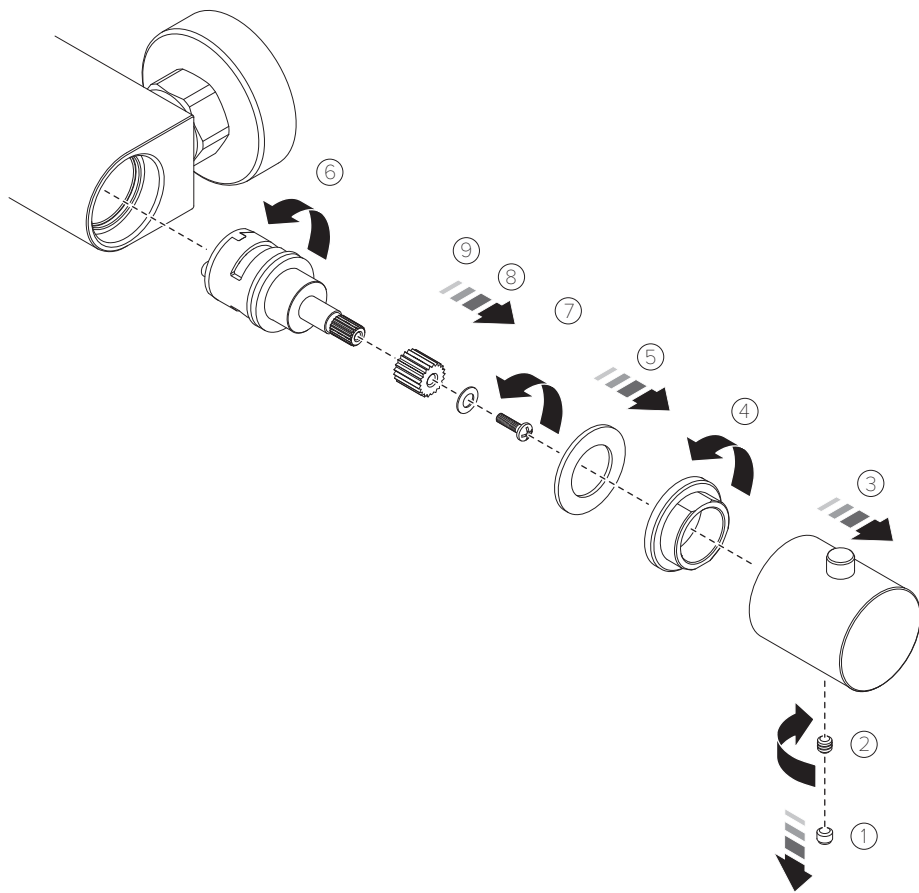


THERMOSTATIC VALVE (3001-2-3) - NON-RETURN VALVE REMOVAL



1. The thermostatic shower valve has two non-return valves. These can be removed for replacement or cleaning.
2. Isolate the hot and cold mains water supplies before the shower valve.
3. Unscrew and remove the non-return valve housing.
4. Remove the circlip from the rear of the housing.
5. Remove the non-return valve from the housing.

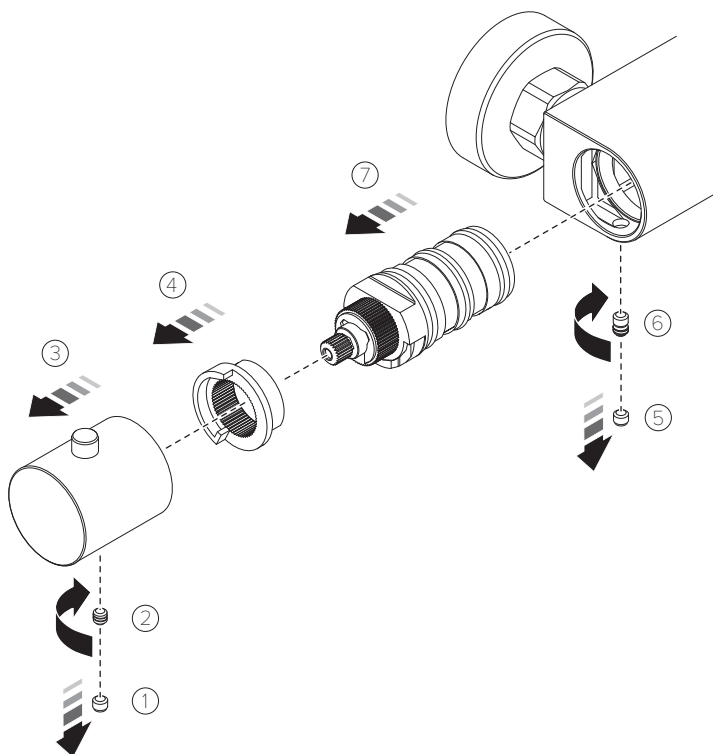
THERMOSTATIC VALVE (3000) - DIVERTER CARTRIDGE REMOVAL



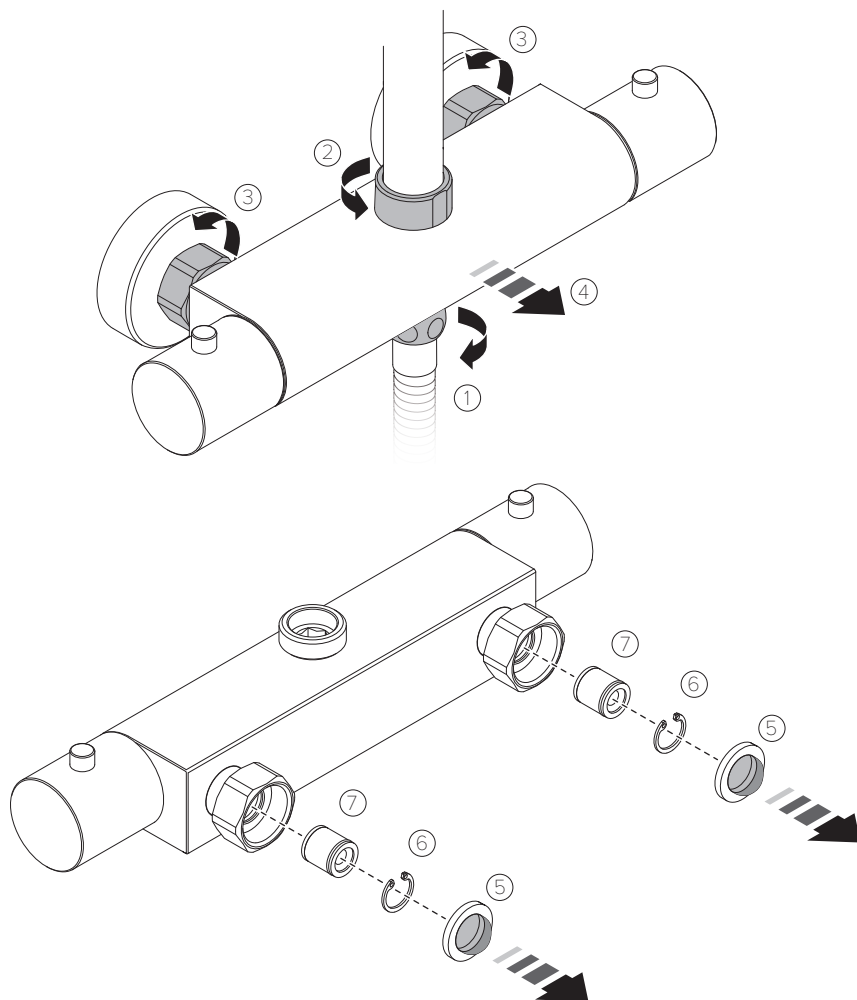
COALBROOK

www.coalbrookuk.co.uk | info@coalbrookuk.co.uk

THERMOSTATIC VALVE (3000) - THERMOSTATIC CARTRIDGE REMOVAL



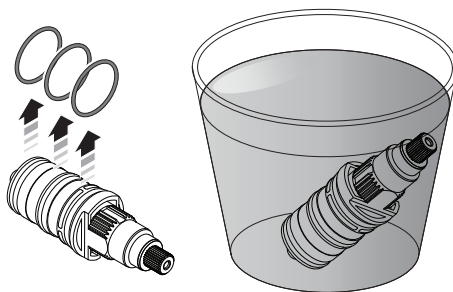
THERMOSTATIC VALVE (3000) - NON-RETURN VALVE REMOVAL



1. The thermostatic shower valve has two non-return valves. These can be removed for replacement or cleaning.
2. Isolate the hot and cold mains water supplies before the shower valve.
3. Follow the above steps for removal.

COALBROOK

www.coalbrookuk.co.uk | info@coalbrookuk.co.uk



1. After removing the thermostatic cartridge check the 'O' rings for damage (i.e. cuts or tears). Gently remove the 'O' rings before soaking the cartridge in descaling fluid. Soak the cartridge according to the instructions on the descaling fluid packaging. Rinse under cold water before fitting.
2. Carefully replace the 'O' rings before fitting the cartridge.



COALBROOK

Whilst every effort is made to ensure the accuracy of these, they are subject to change without notice as part of the company's product development process. The use of trademarks, product design and artwork is subject to licence or agreement. The design registrations, trademark registrations and copyrights are protected by law and the use or reproduction outside the terms of an agreement is prohibited.

The right to modify designs and dimensions is reserved. E & O.E.

V3.0824

COALBROOK

www.coalbrookuk.co.uk | info@coalbrookuk.co.uk