



COALBROOK

ST916R

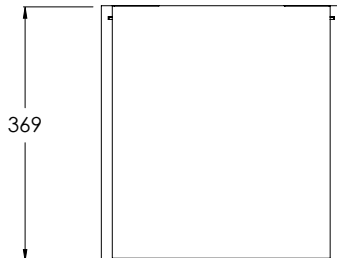
SHEPHERD TALLBOY UNIT

350x1600x369mm

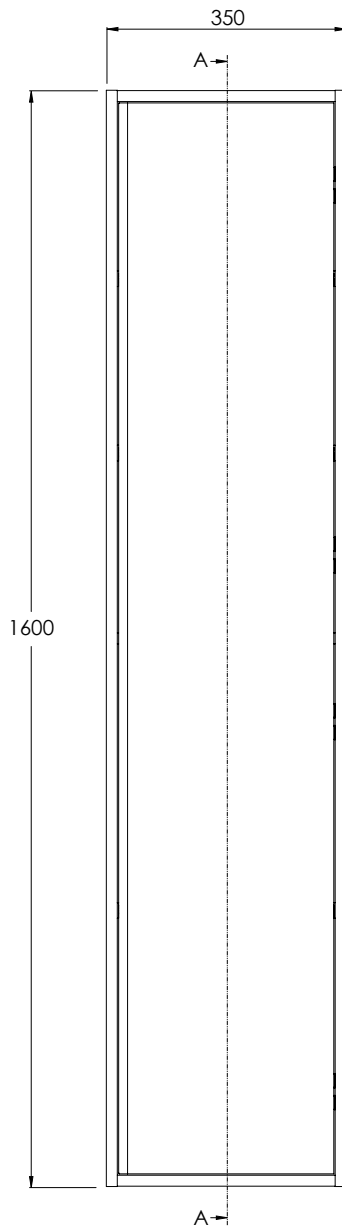
DATE: 21/05/26

REVISION: B

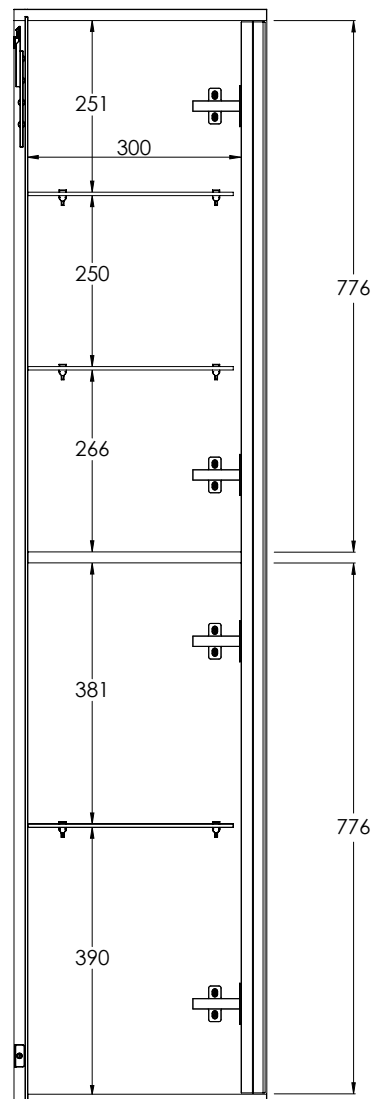
TOP VIEW



FRONT VIEW



SECTION VIEW: A-A



DIMENSIONS IN MILLIMETRES

WHILST EVERY EFFORT IS MADE TO ENSURE THE ACCURACY OF THESE DATA SHEETS THEY ARE SUBJECT TO CHANGE WITHOUT NOTICE AS PART OF THE COMPANY'S PRODUCT DEVELOPMENT PROCESS