



COALBROOK

FT916L

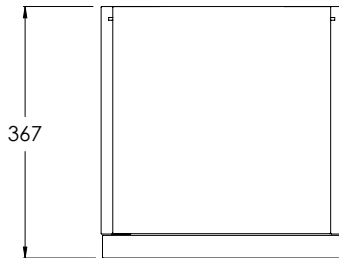
FARNOLLS TALLBOY UNIT

352x1500x367mm

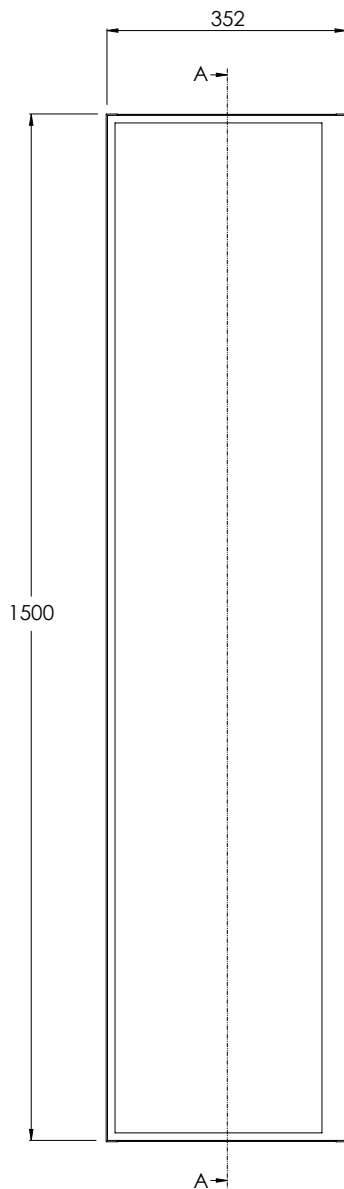
DATE: 21/05/26

REVISION: B

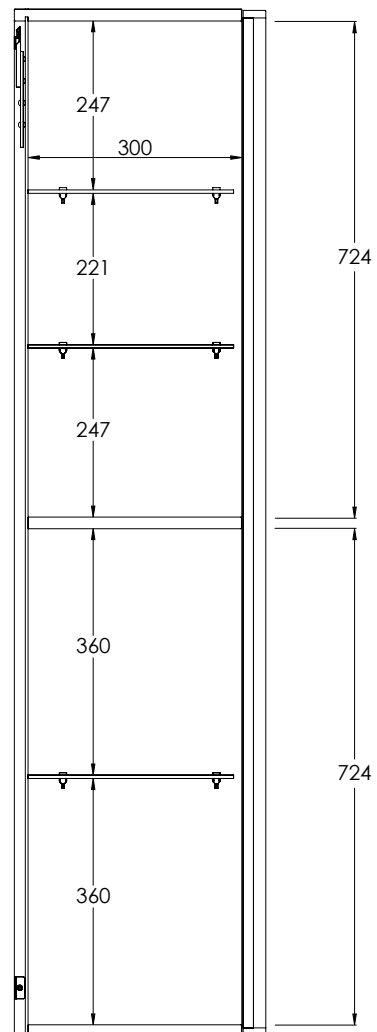
TOP VIEW



FRONT VIEW



SECTION VIEW: A-A



DIMENSIONS IN MILLIMETRES

WHILST EVERY EFFORT IS MADE TO ENSURE THE ACCURACY OF THESE DATA SHEETS THEY ARE SUBJECT TO CHANGE WITHOUT NOTICE AS PART OF THE COMPANY'S PRODUCT DEVELOPMENT PROCESS