



COALBROOK

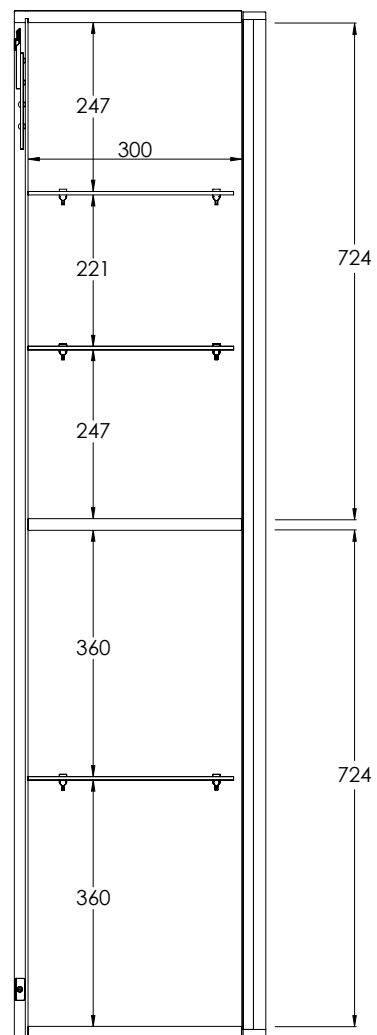
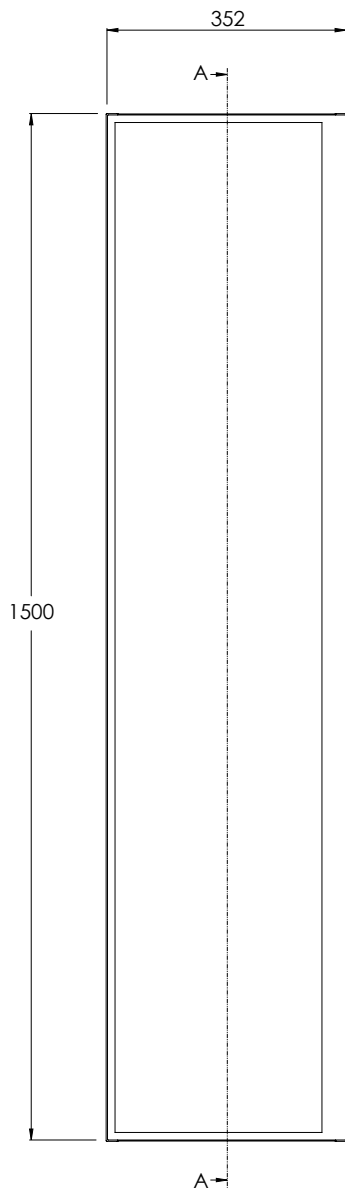
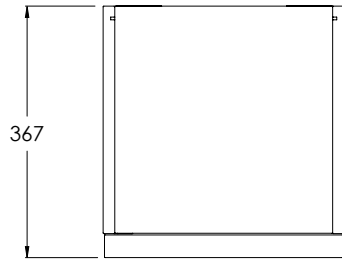
FT916L

FARNOLLS TALLBOY UNIT

352x1500x367mm

DATE: 22/01/26

REVISION: A



SECTION: A-A

DIMENSIONS IN MILLIMETRES

WHILST EVERY EFFORT IS MADE TO ENSURE THE ACCURACY OF THESE DATA SHEETS THEY ARE SUBJECT TO CHANGE WITHOUT NOTICE AS PART OF THE COMPANY'S PRODUCT DEVELOPMENT PROCESS