



COALBROOK

DO2007

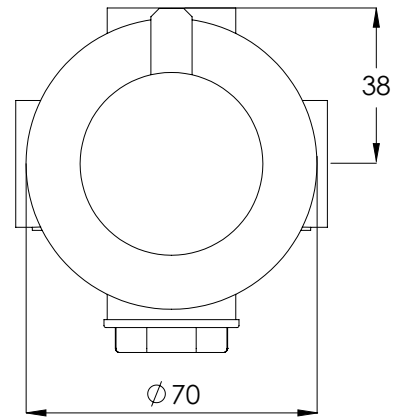
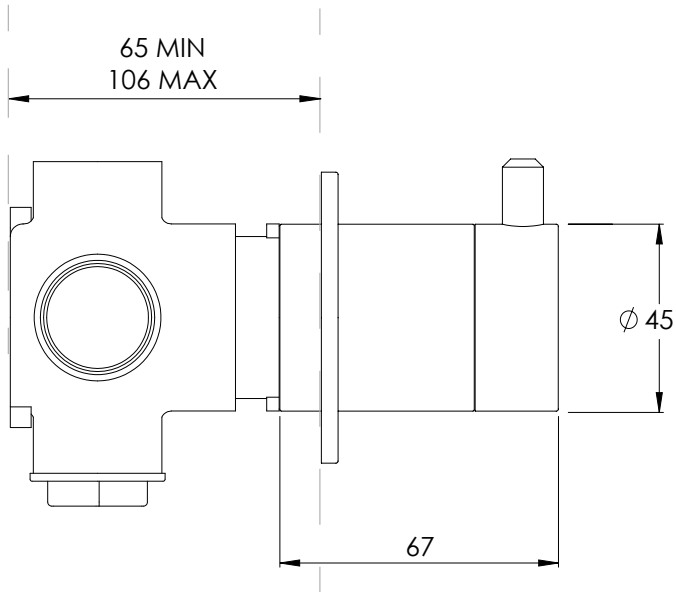
DOMO WALL MOUNTED 2-WAY
DIVERTER TRIMSET

DATE: 16/11/23

REVISION: A

MOUNTING SURFACE FINISHED WALL SURFACE

65 MIN
106 MAX



DIMENSIONS IN MILLIMETRES

WHILST EVERY EFFORT IS MADE TO ENSURE THE ACCURACY OF THESE DATA SHEETS THEY ARE SUBJECT TO CHANGE WITHOUT NOTICE AS PART OF THE COMPANY'S PRODUCT DEVELOPMENT PROCESS



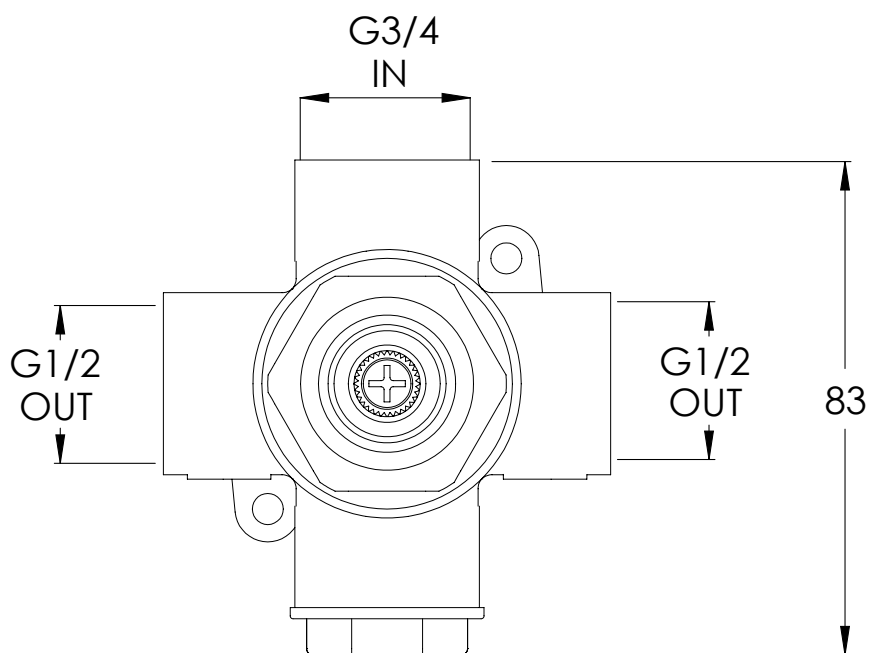
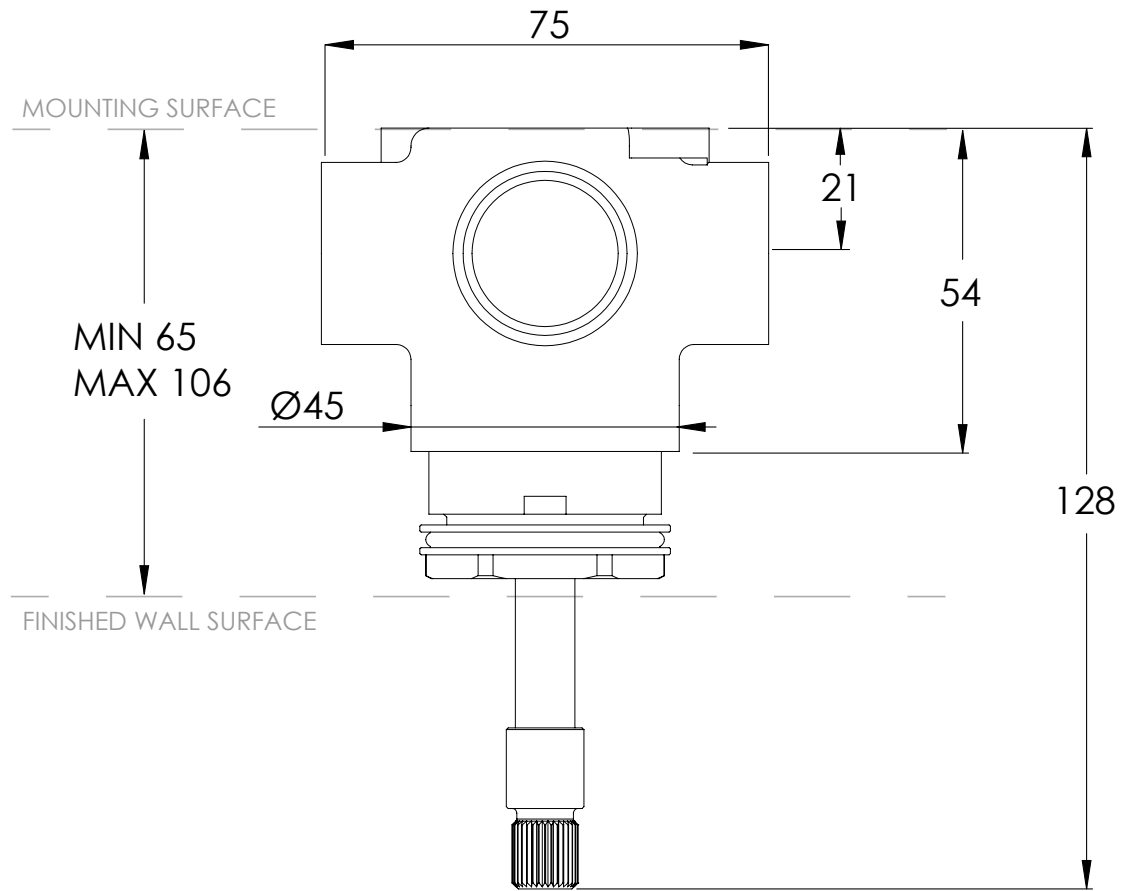
COALBROOK

C02104

WALL MOUNTED 2-WAY DIVERTER
ROUGH

DATE: 16/11/2023

REVISION: A



DIMENSIONS IN MILLIMETRES

WHILST EVERY EFFORT IS MADE TO ENSURE THE ACCURACY OF THESE DATA SHEETS THEY ARE SUBJECT TO CHANGE WITHOUT NOTICE AS PART OF THE COMPANY'S PRODUCT DEVELOPMENT PROCESS