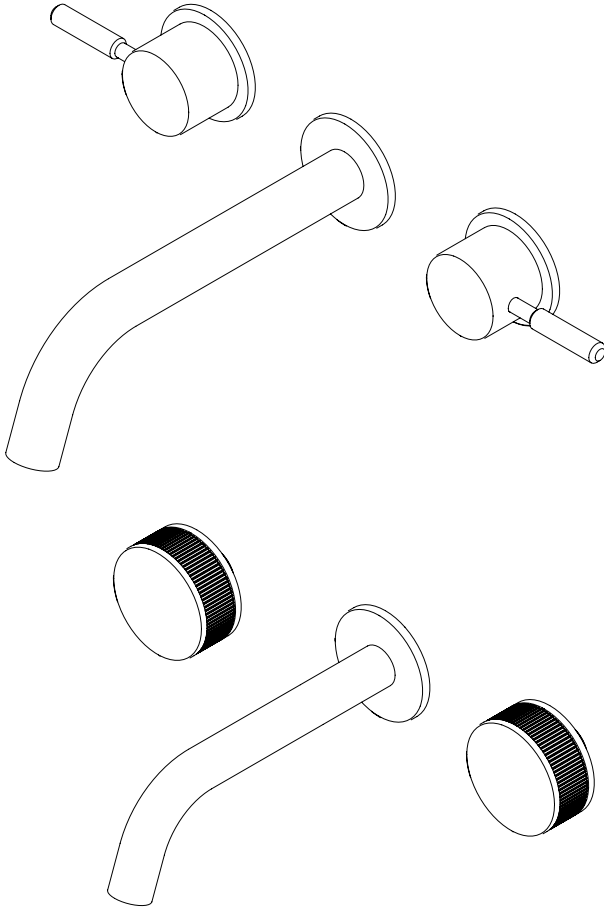




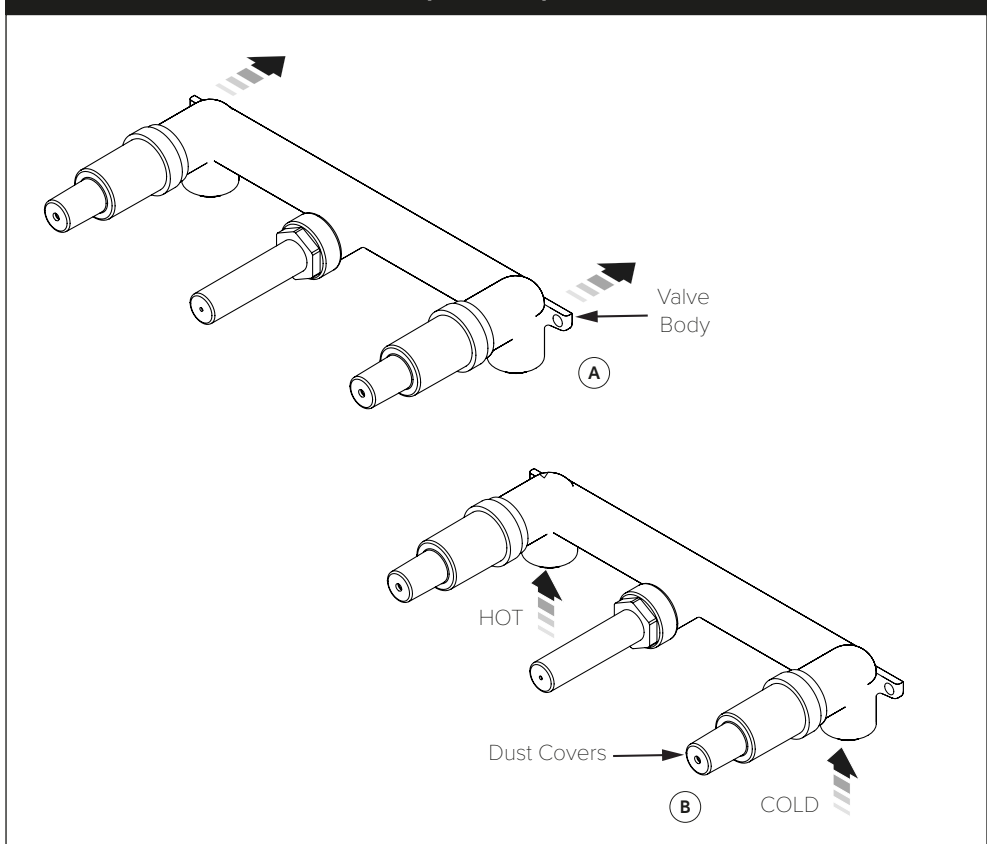
COALBROOK



**3 HOLE WALL MOUNTED BASIN MIXER
INSTALLATION**

DO1008 | DC1008 | CO1008

MIXER VALVE INSTALLATION DIAGRAM (STEPS 1 -3)

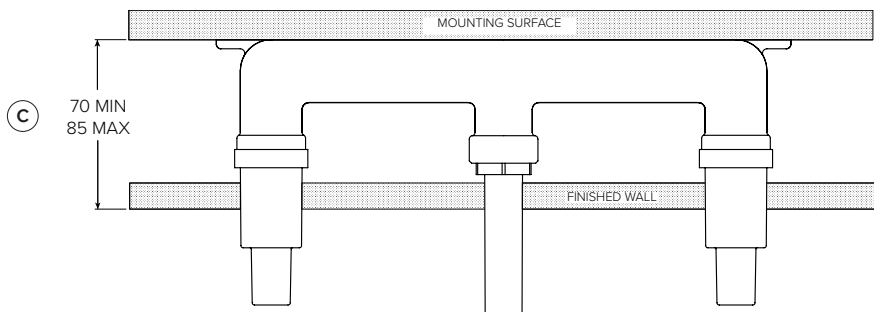


1. Offer the valve body up to the mounting surface and mark the desired drill locations. Use a spirit level to ensure that the mixer valve is horizontal and secure using suitable fixings (A).
2. Connect the hot and cold water supplies to the bottom inlets of the mixer valve. The hot connection must be made on the left hand side port, and the cold connection on the right hand side port.
3. Check all connections for leaks and ensure the dust covers are securely assembled before concealing pipework and continuing installation.

COALBROOK

www.coalbrookuk.co.uk | info@coalbrookuk.co.uk

MIXER VALVE INSTALLATION DIAGRAM (STEP 4)

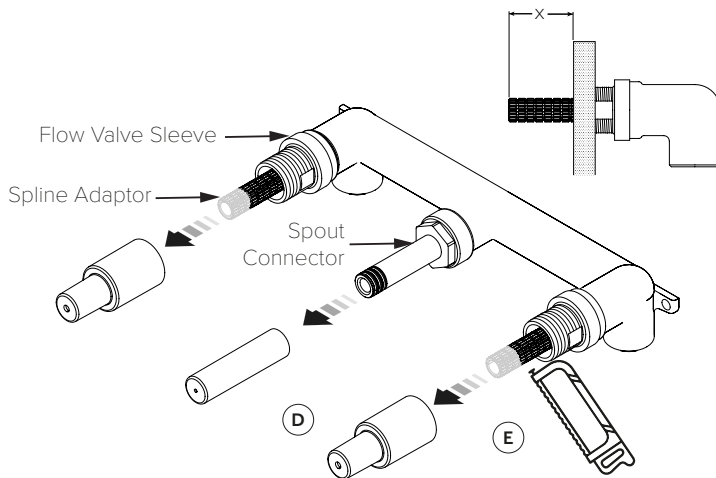


4. The mixer valve can now be concealed by the finished wall. Ensure the depth that the mixer valve is positioned in the wall complies with the minimum and maximum measurement shown in the diagram above (C).

COALBROOK

www.coalbrookuk.co.uk | info@coalbrookuk.co.uk

FLOW VALVE INSTALLATION DIAGRAM (STEPS 1 - 2)



1. Begin preparing the mixer valve for assembly by removing the dust covers (D) from the spout connector and flow valve sleeves.
2. Measure the length of exposed spline protruding from the finished wall and cut to the length required for the specified basin mixer (E). The length required for each model can be found below and is denoted by X:

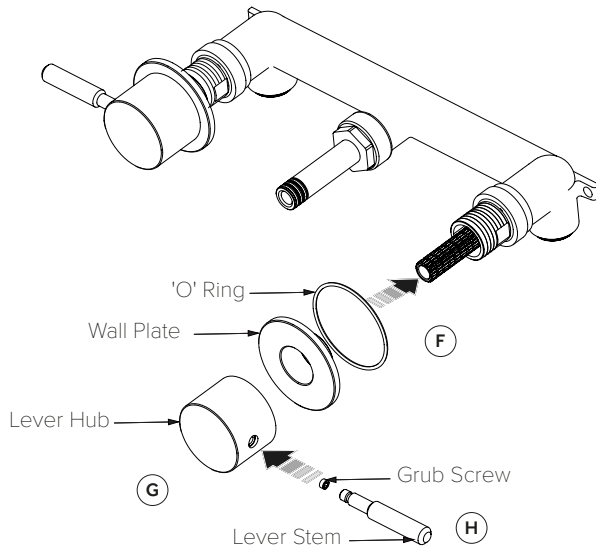
Domo (X) = 26 - 30mm from finished wall.

Decca (X) = 18 - 21mm from finished wall.

COALBROOK

www.coalbrookuk.co.uk | info@coalbrookuk.co.uk

FLOW VALVE INSTALLATION DIAGRAM (STEPS 3 - 5)

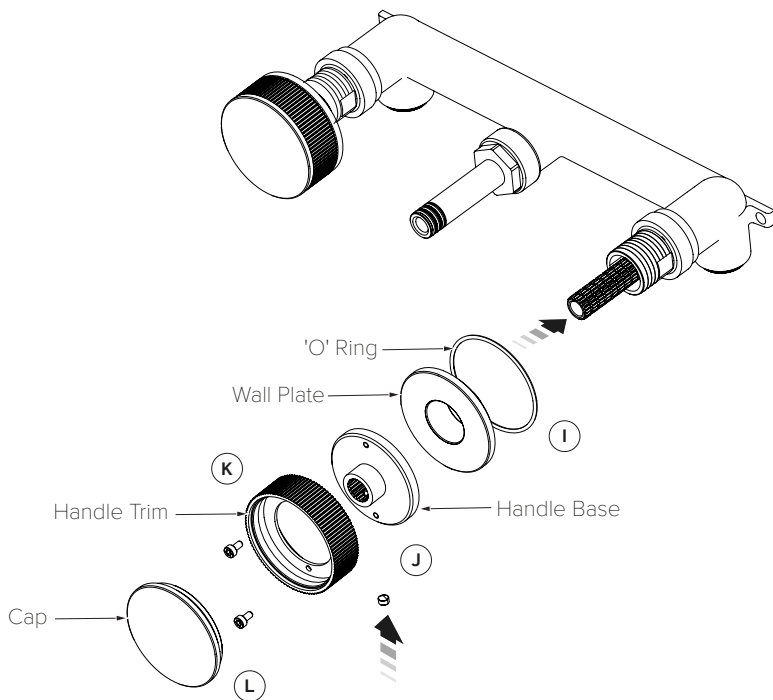


3. For Domo models, screw the wall plates onto the flow valve sleeves until they come into contact with the finished wall surface (F). Ensure the 'O' rings are located into the rear of the wall plate before assembling.
4. Locate the lever hub (G) onto the spline adaptor and secure using provided grub screw.
5. The lever stem (H) can then be screwed into the hub. The levers should be facing outwards when the flow valves are in the OFF position.

COALBROOK

www.coalbrookuk.co.uk | info@coalbrookuk.co.uk

FLOW VALVE INSTALLATION DIAGRAM (STEPS 6 - 9)

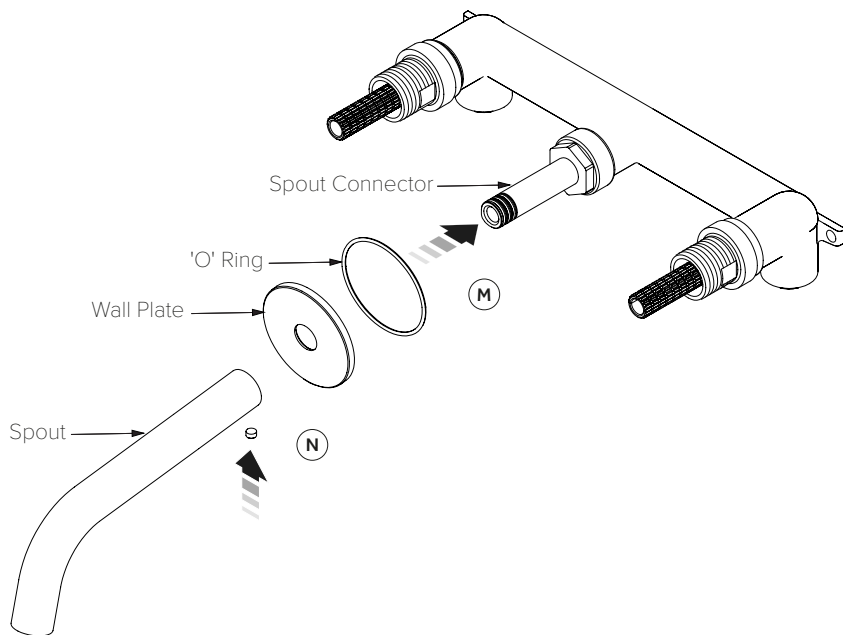


6. For Decca trim assemblies, screw the wall plates onto the flow valve sleeves until they come into contact with the finished wall surface (I). Ensure that the 'O' rings are located into the rear side of the wall plate before assembling.
7. Locate the handle base (J) onto the spline adaptor and secure using the provided grub screw.
8. The handle trim (K) can then be secured to the base using the two set screws.
9. Screw the cap (L) onto the trim to complete the installation.

COALBROOK

www.coalbrookuk.co.uk | info@coalbrookuk.co.uk

SPOUT INSTALLATION DIAGRAM

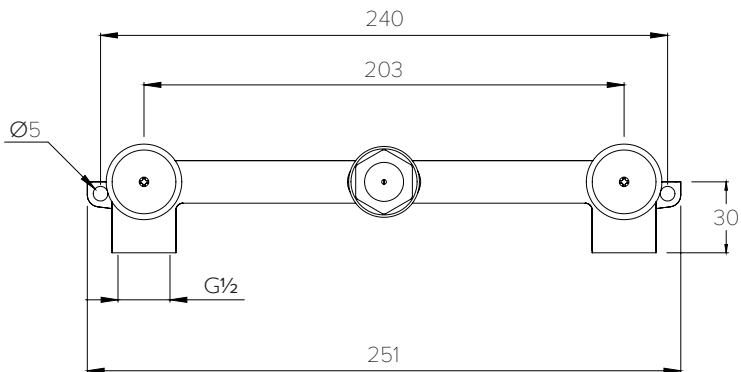
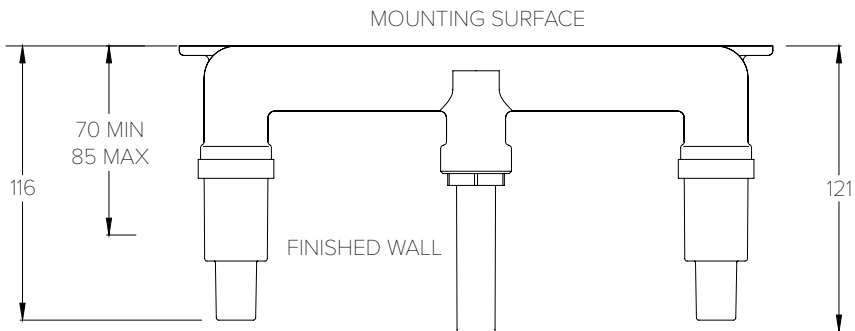


1. Flush out the pipework and mixer valve before installing the spout.
2. Locate the wall plate over the spout connector (M) and slide it down the shaft until it comes into contact with the finished wall surface. Ensure that the 'O' ring is located in the rear of the plate before assembling.
3. Push the spout over the 'O' rings on the spout connector, the spout will come to a stop when pushed onto the connector.
4. Align the spout so that the outlet is facing downwards. Secure the spout in place using the provided grub screw on the underside of the spout (N).

COALBROOK

www.coalbrookuk.co.uk | info@coalbrookuk.co.uk

SPECIFICATION (mm)

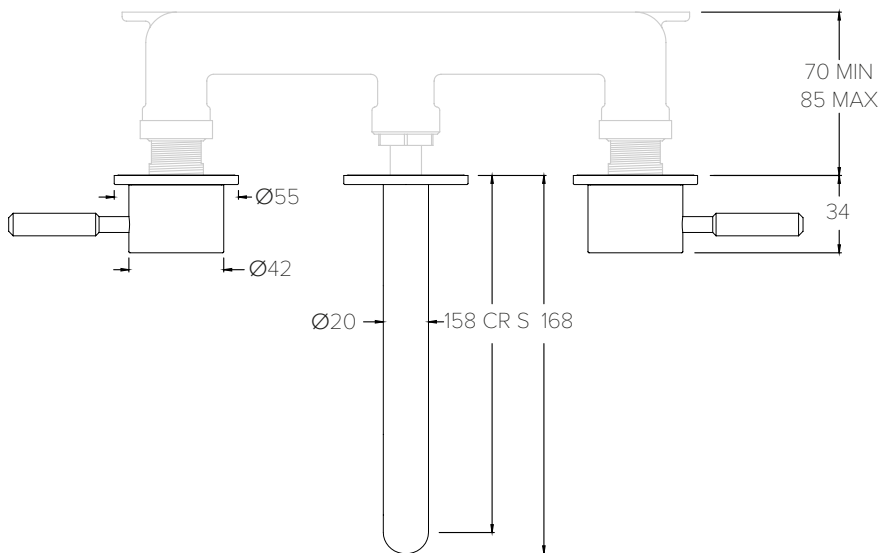
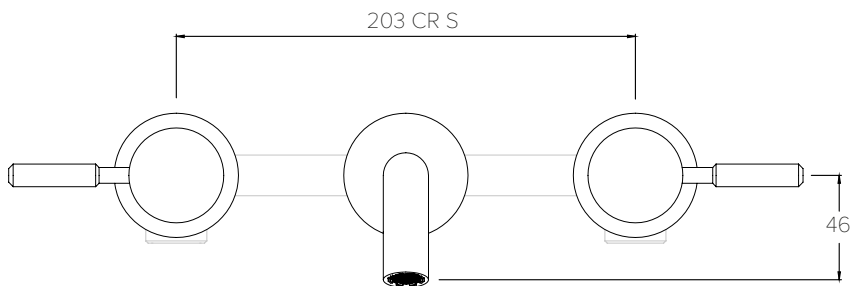


COALBROOK

www.coalbrookuk.co.uk | info@coalbrookuk.co.uk

SPECIFICATION (DO1008) (mm)

DOMO

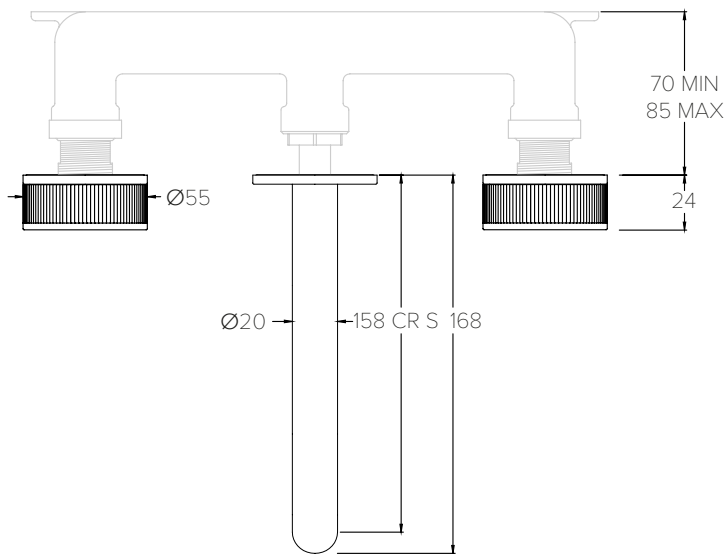
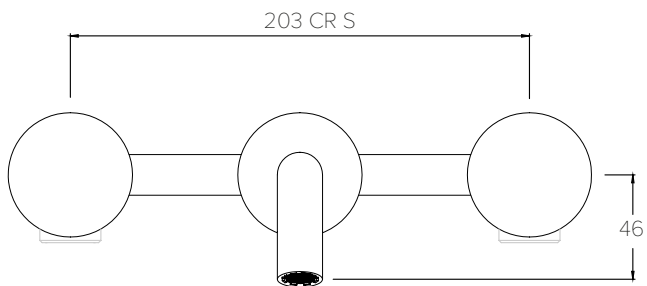


COALBROOK

www.coalbrookuk.co.uk | info@coalbrookuk.co.uk

SPECIFICATION (DC1008) (mm)

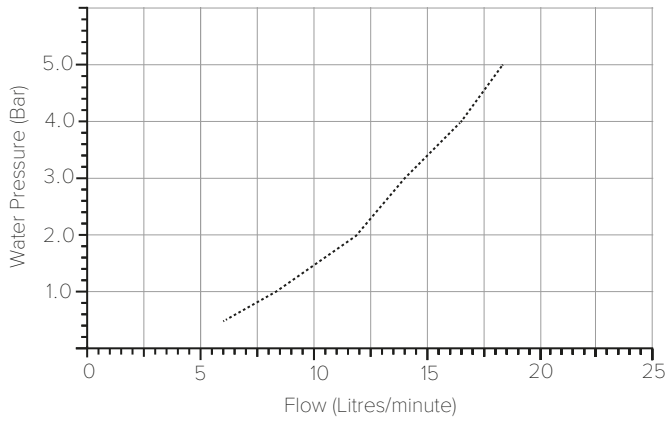
DECCA



COALBROOK

TYPICAL FLOW RATES (DO1008 & DC1008)

Flow rates shown are free-flowing and may vary subject to restrictions created by installation, pipework layout or application



Water Pressure (Bar)	Outlet (Litres/minute)
0.5	5.9
1.0	8.3
2.0	11.7
3.0	14.1
4.0	16.4
5.0	18.3

COALBROOK

www.coalbrookuk.co.uk | info@coalbrookuk.co.uk



COALBROOK

Whilst every effort is made to ensure the accuracy of these, they are subject to change without notice as part of the company's product development process. The use of trademarks, product design and artwork is subject to licence or agreement. The design registrations, trademark registrations and copyrights are protected by law and the use or reproduction outside the terms of an agreement is prohibited.

The right to modify designs and dimensions is reserved. E & O.E.

COALBROOK

www.coalbrookuk.co.uk | info@coalbrookuk.co.uk