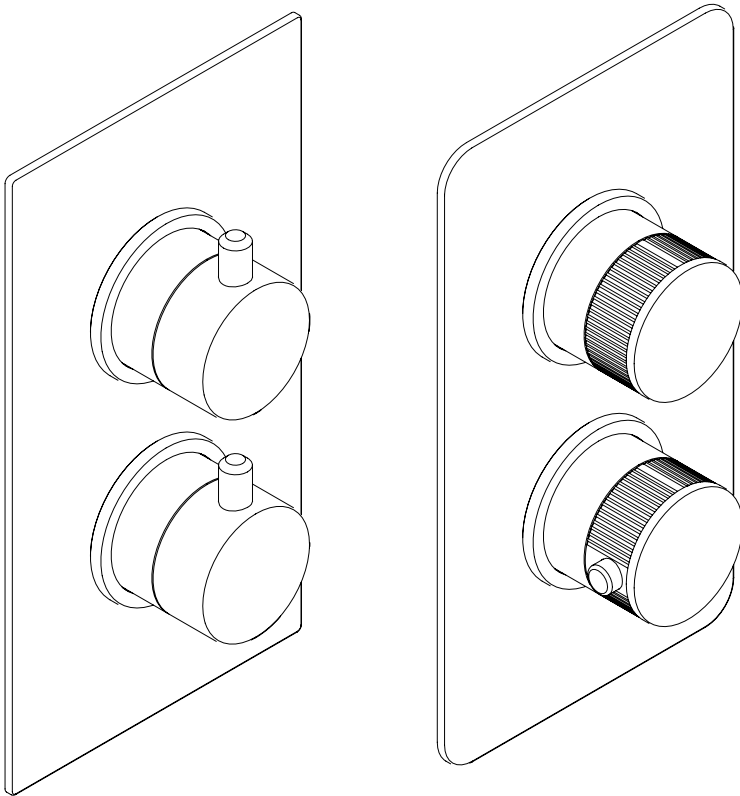


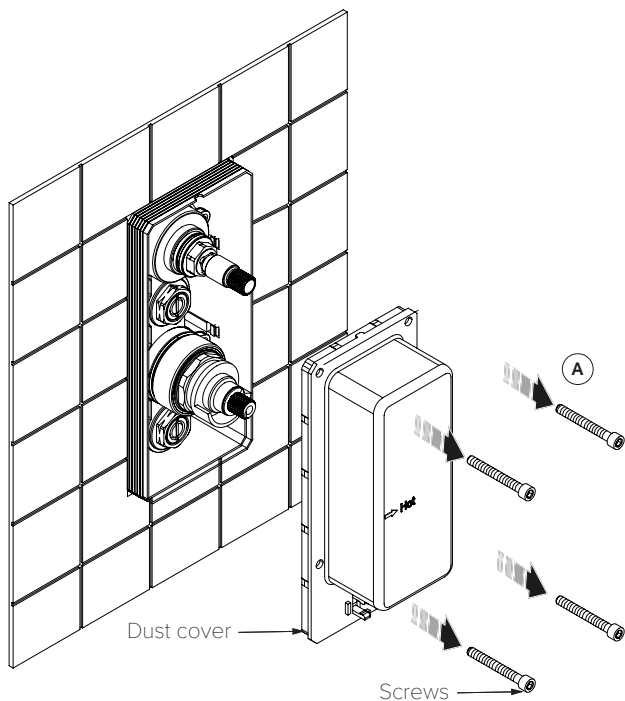
COALBROOK



THERMOSTATIC TRIM INSTALLATION

DO3001 | DO3002 | DO3003 | DC3001 | DC3002 | DC3003

THERMOSTATIC TRIM INSTALLATION DIAGRAM (STEP 1)

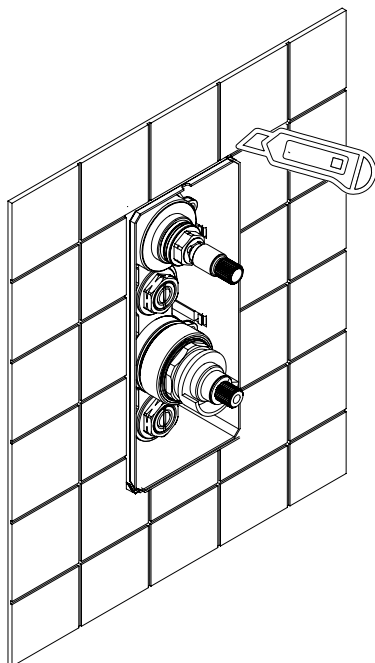


1. To remove the dust cover from the thermostatic shower valve, unscrew the four set screws from the front plate using the provided hexagonal allen key (A). The dust cover should pull away ready to be discarded.

COALBROOK

www.coalbrookuk.co.uk | info@coalbrookuk.co.uk

THERMOSTATIC TRIM INSTALLATION DIAGRAM (STEP 2)

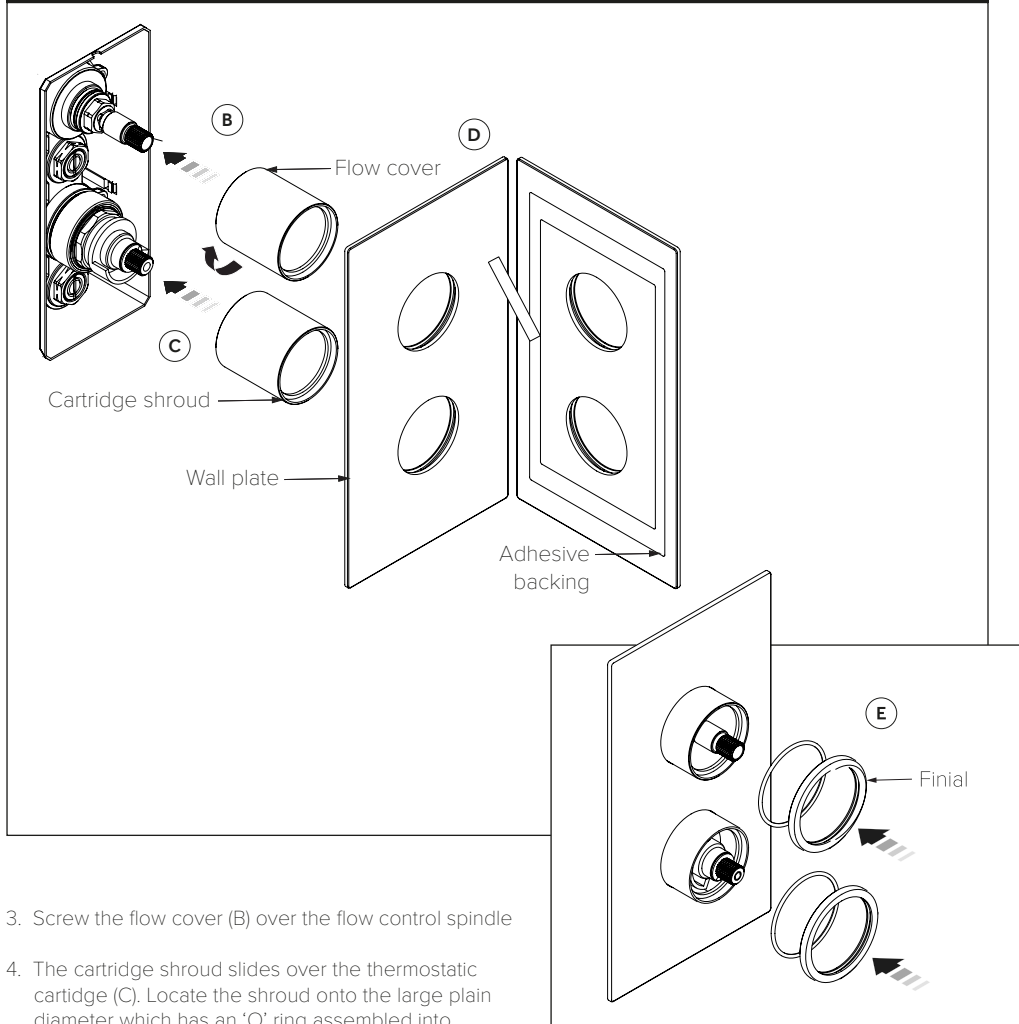


2. Cut and remove any excess plastic that is protruding from the finished mounting surface. Ensure that a flush mounting surface is achieved prior to assembling any trim items onto the thermostatic shower valve.

COALBROOK

www.coalbrookuk.co.uk | info@coalbrookuk.co.uk

THERMOSTATIC TRIM INSTALLATION DIAGRAM (STEPS 3 - 6)



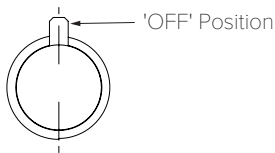
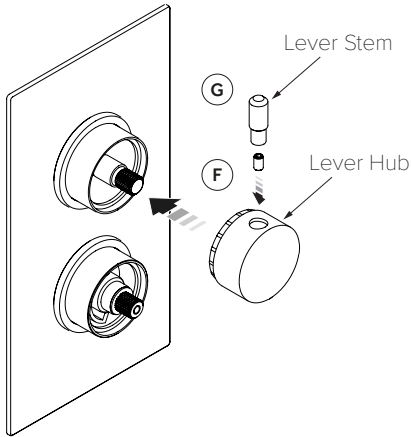
3. Screw the flow cover (B) over the flow control spindle
4. The cartridge shroud slides over the thermostatic cartridge (C). Locate the shroud onto the large plain diameter which has an 'O' ring assembled into its groove.
5. Install the wall plate by removing the adhesive sticker from the back face and locating over the flow cover and cartridge shroud (D). Use a suitable sealant if necessary and ensure that the 'O' rings are assembled into the grooves of the two holes in the plate.
6. Slide both finial plates over the previously installed shrouds (E). Ensure that the 'O' rings are assembled into grooves inside the finials before adding them to the assembly.

COALBROOK

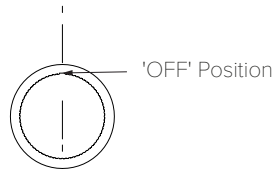
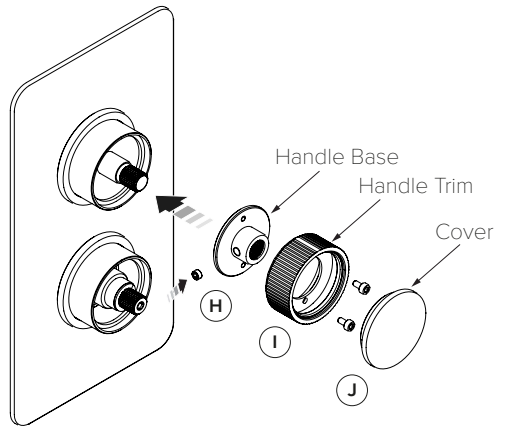
www.coalbrookuk.co.uk | info@coalbrookuk.co.uk

FLOW CONTROL TRIM INSTALLATION DIAGRAM (STEPS 1 - 6)

DOMO



DECCA

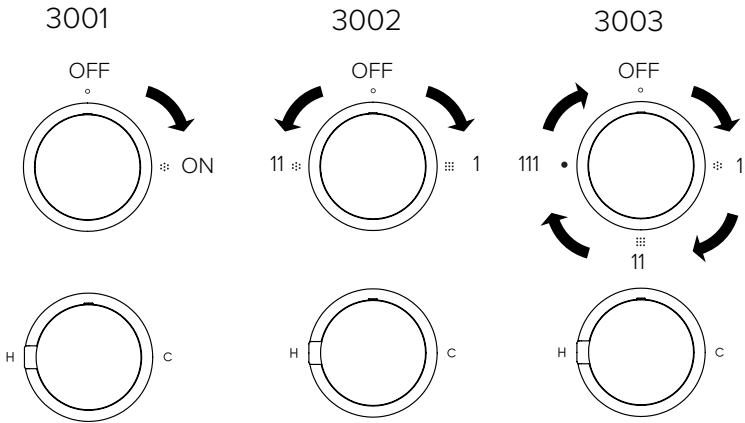


1. For Domo trim assemblies, locate the lever hub onto the spline adaptor and secure using the grub screw provided (F). The lever stem should then be screwed into the lever hub (G).
2. On all thermostatic shower variants, the lever should be aligned so that it is facing vertically when the valve is in its 'OFF' position.
3. For Decca trim assemblies, locate the handle base onto the spline adaptor and secure using the grub screw provided (H).
4. The handle trim (I) can then be secured to the base using the two set screws.
5. Screw the cap (J) onto the trim to complete the installation.
6. The plain section of the flow control handle should be aligned so that it is facing vertically when in the 'OFF' position.

COALBROOK

www.coalbrookuk.co.uk | info@coalbrookuk.co.uk

FLOW CONTROL TRIM INSTALLATION DIAGRAM (STEP 7)

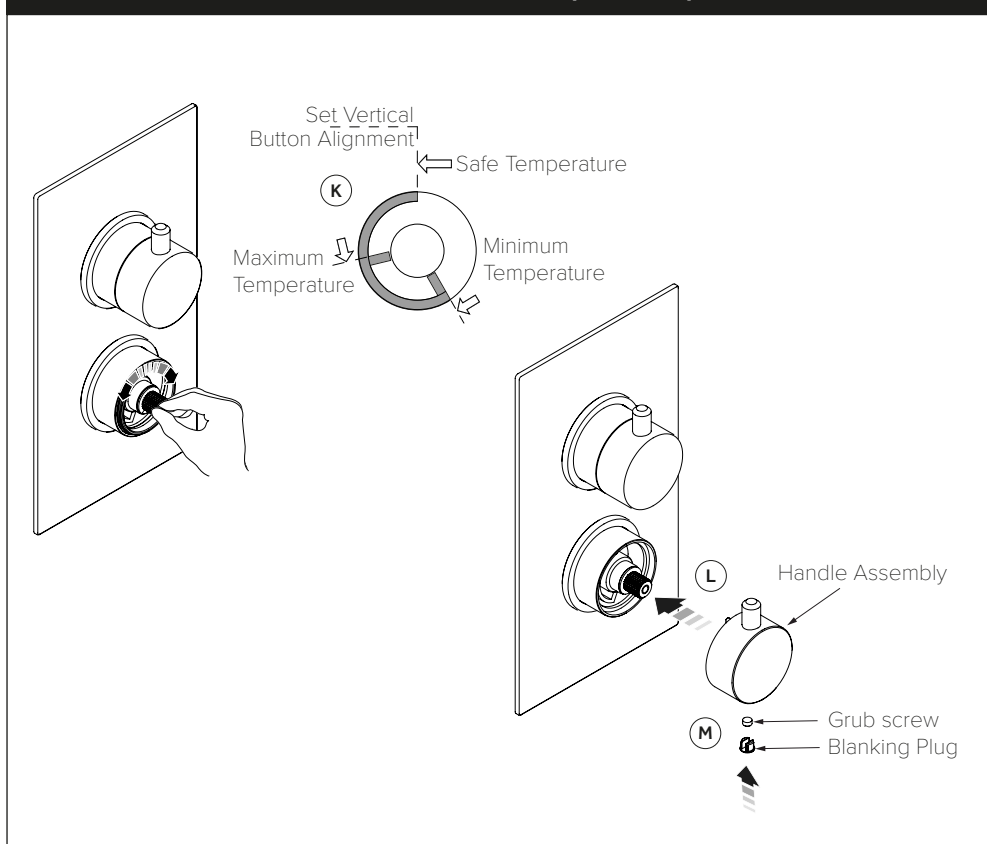


7. The above diagram shows how the outlets are indicated on each of the variants of the thermostatic shower.

COALBROOK

www.coalbrookuk.co.uk | info@coalbrookuk.co.uk

THERMOSTATIC CONTROL INSTALLATION DIAGRAM (STEPS 1 -4)

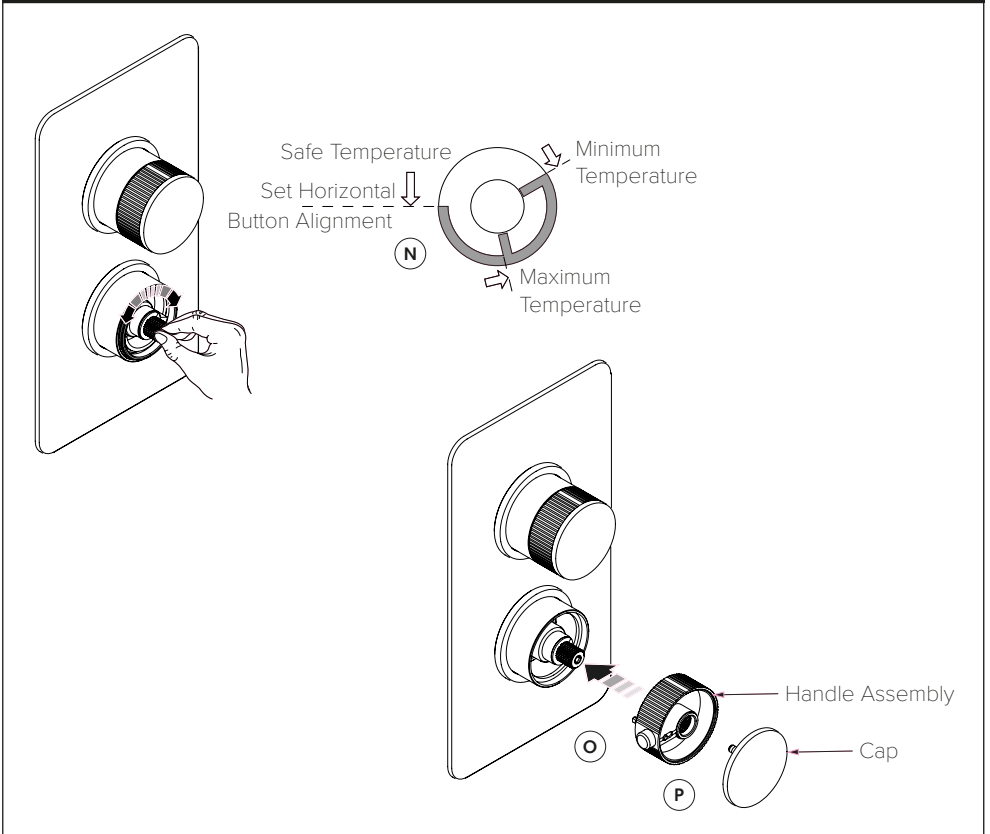


1. Before any trims can be installed to the thermostatic shower valve, the plastic temperature stop needs to be assembled onto the cartridge. Turn the spindle on the thermostatic cartridge until the water temperature reaches 38°C. This should be set as the 'Safe Temperature'.
2. For Domo trim assemblies, locate the temperature stop (K) onto the cartridge spline with the safe temperature locator in a vertical position.
3. Locate the handle assembly onto the thermostatic cartridge spline (L). Ensure that the lever is set vertically at the safe temperature position before securing.
4. Secure the handle assembly by using the provided grub screw underneath (M). The grub screw can then be concealed by pushing the blanking plug into the empty hole on the underside of the handle assembly.

COALBROOK

www.coalbrookuk.co.uk | info@coalbrookuk.co.uk

THERMOSTATIC CONTROL INSTALLATION DIAGRAM (STEPS 5 -7)



5. For Decca trim assemblies, locate the temperature stop (N) onto the cartridge spline with the safe temperature locator in a horizontal position.
6. Locate the handle assembly onto the thermostatic cartridge spline (O). Ensure that the lever is set horizontally at the safe temperature position before securing.
7. Screw the cap (P) onto the handle assembly to complete the installation. Ensure that the 'O' ring is assembled onto the rear side of the cap before screwing it into the thread of the cartridge.

COALBROOK

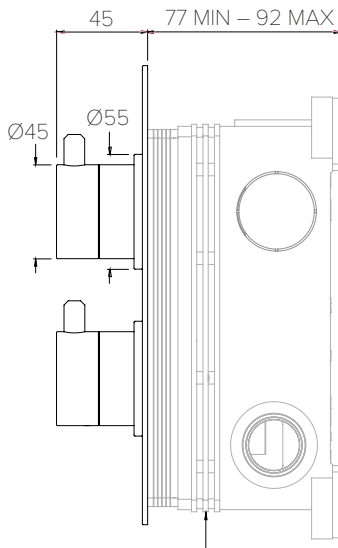
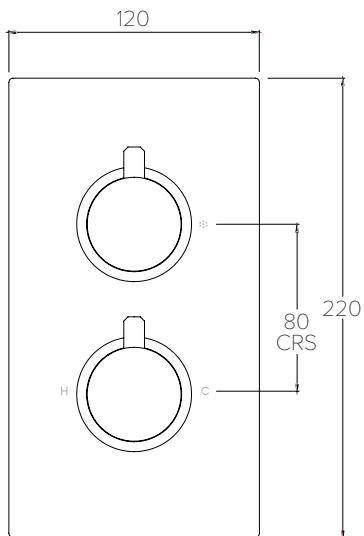
www.coalbrookuk.co.uk | info@coalbrookuk.co.uk

SPECIFICATION DIAGRAMS & FLOW RATES OVERLEAF

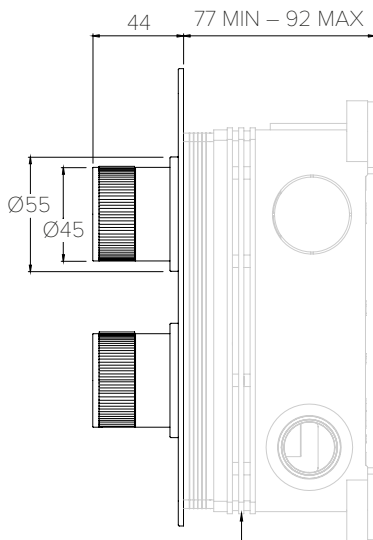
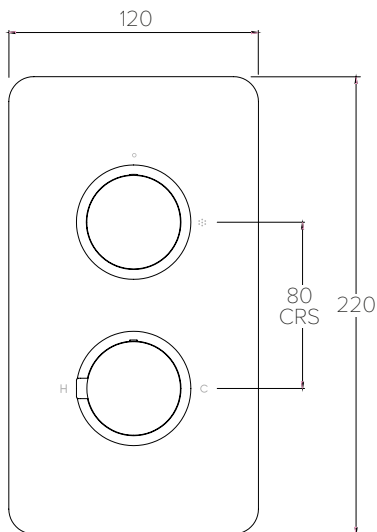
COALBROOK

www.coalbrookuk.co.uk | info@coalbrookuk.co.uk

SPECIFICATION DIAGRAM (DO3001 & DC3001) (mm)



SEE DRAWING: CO3001 - 1 OUTLET C-BOX



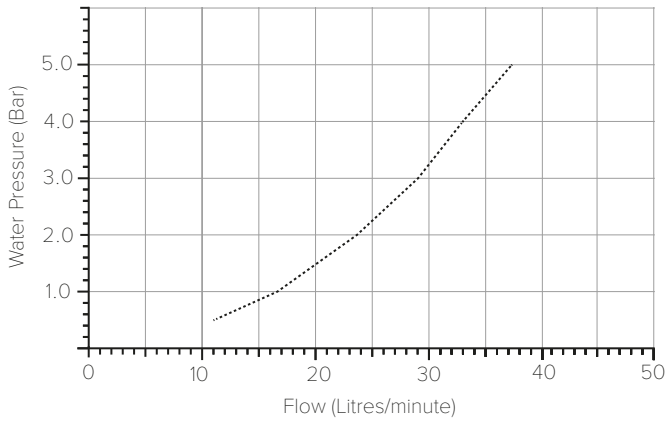
SEE DRAWING: CO3001 - 1 OUTLET C-BOX

COALBROOK

www.coalbrookuk.co.uk | info@coalbrookuk.co.uk

TYPICAL FLOW RATES (DO3001 & DC3001)

Flow rates shown are free-flowing and may vary subject to restrictions created by installation, pipework layout or application

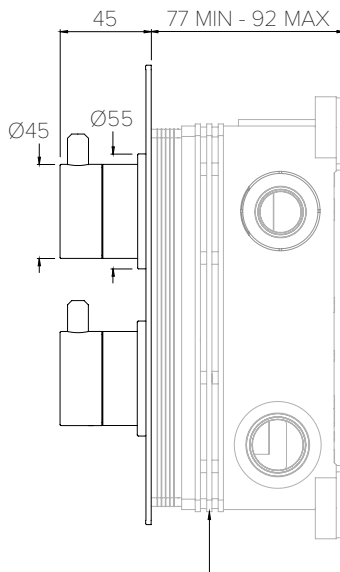
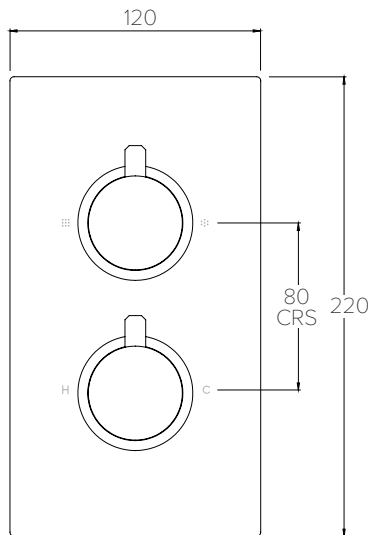


Water Pressure (Bar)	Outlet (Litres/minute)
0.5	11.1
1.0	16.4
2.0	23.4
3.0	29.3
4.0	33.0
5.0	37.2

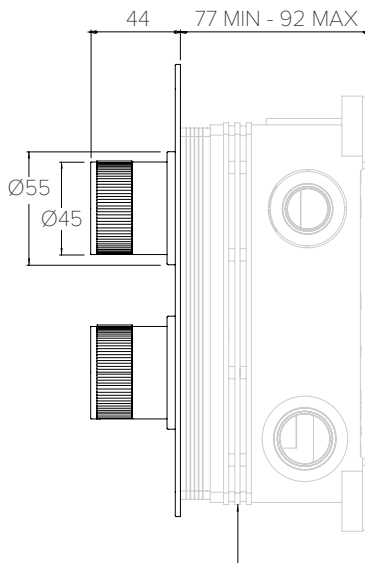
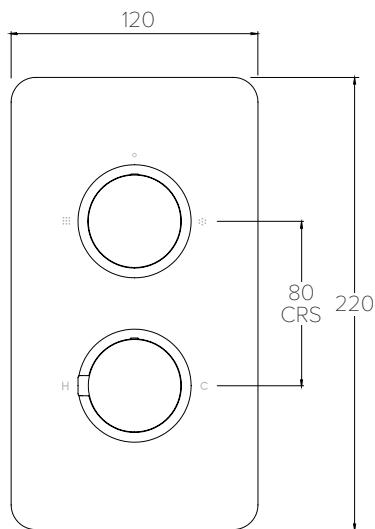
COALBROOK

www.coalbrookuk.co.uk | info@coalbrookuk.co.uk

SPECIFICATION DIAGRAM (DO3002 & DC3002) (mm)



SEE DRAWING: CO3002 – 2 OUTLET C-BOX

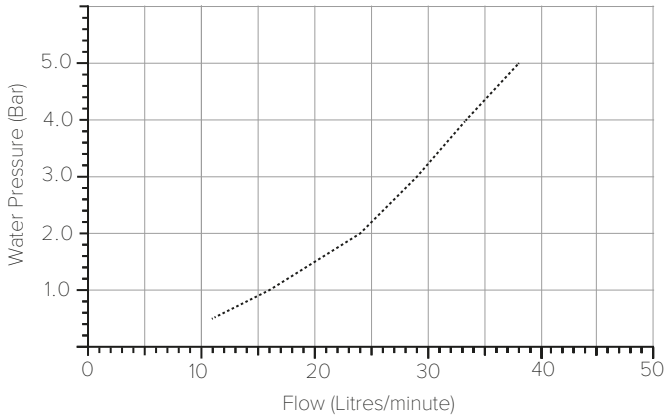


SEE DRAWING: CO3002 – 2 OUTLET C-BOX

COALBROOK

TYPICAL FLOW RATES (DO3002 & DC3002)

Flow rates shown are free-flowing and may vary subject to restrictions created by installation, pipework layout or application

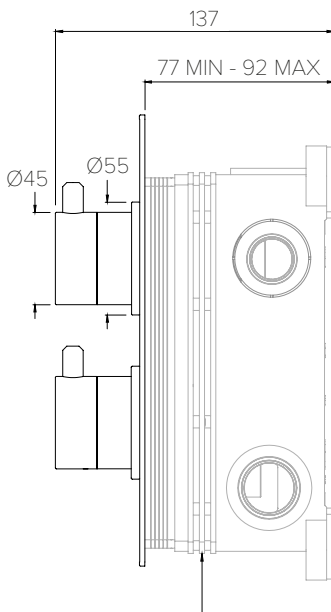
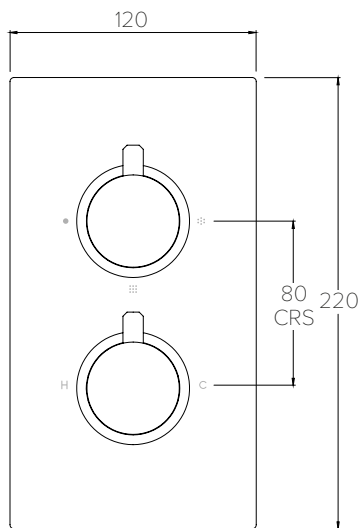


Water Pressure (Bar)	Outlet (Litres/minute)
0.5	10.7
1.0	16.0
2.0	23.9
3.0	29.0
4.0	33.2
5.0	38.0

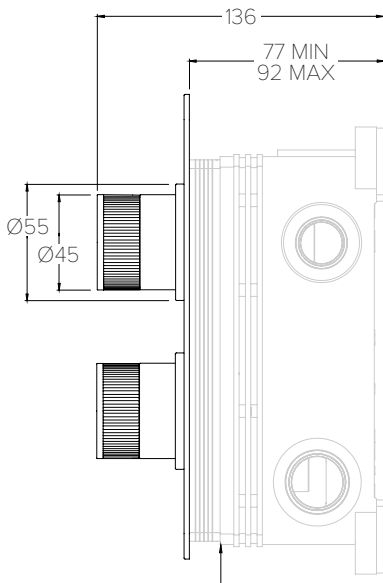
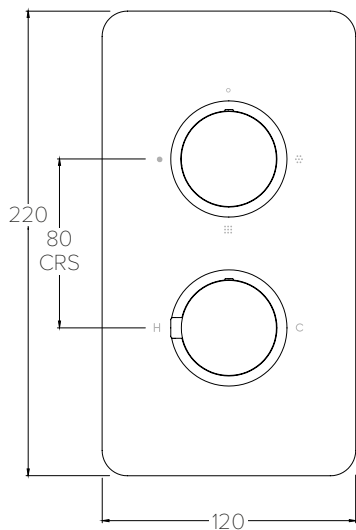
COALBROOK

www.coalbrookuk.co.uk | info@coalbrookuk.co.uk

SPECIFICATION (DO3003 & DC3003) (mm)



SEE DRAWING: CO3003 – 3 OUTLET C-BOX

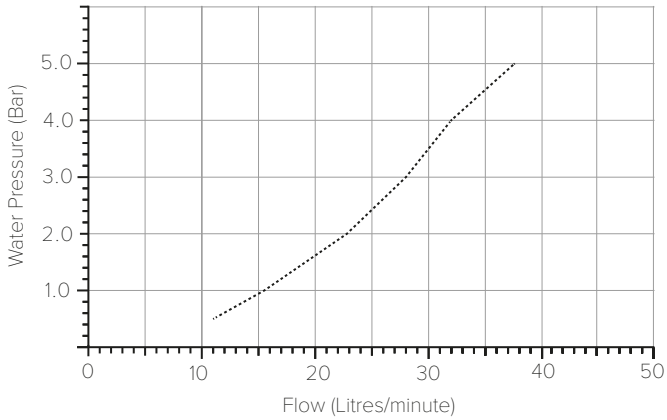


SEE DRAWING: CO3003 – 3 OUTLET C-BOX

COALBROOK

TYPICAL FLOW RATES (DO3003 & DC3003)

Flow rates shown are free-flowing and may vary subject to restrictions created by installation, pipework layout or application



Water Pressure (Bar)	Outlet (Litres/minute)
0.5	10.5
1.0	15.6
2.0	22.7
3.0	27.8
4.0	31.9
5.0	37.4

COALBROOK

www.coalbrookuk.co.uk | info@coalbrookuk.co.uk



COALBROOK

Whilst every effort is made to ensure the accuracy of these, they are subject to change without notice as part of the company's product development process. The use of trademarks, product design and artwork is subject to licence or agreement. The design registrations, trademark registrations and copyrights are protected by law and the use or reproduction outside the terms of an agreement is prohibited.

The right to modify designs and dimensions is reserved. E & O.E.

COALBROOK

www.coalbrookuk.co.uk | info@coalbrookuk.co.uk