



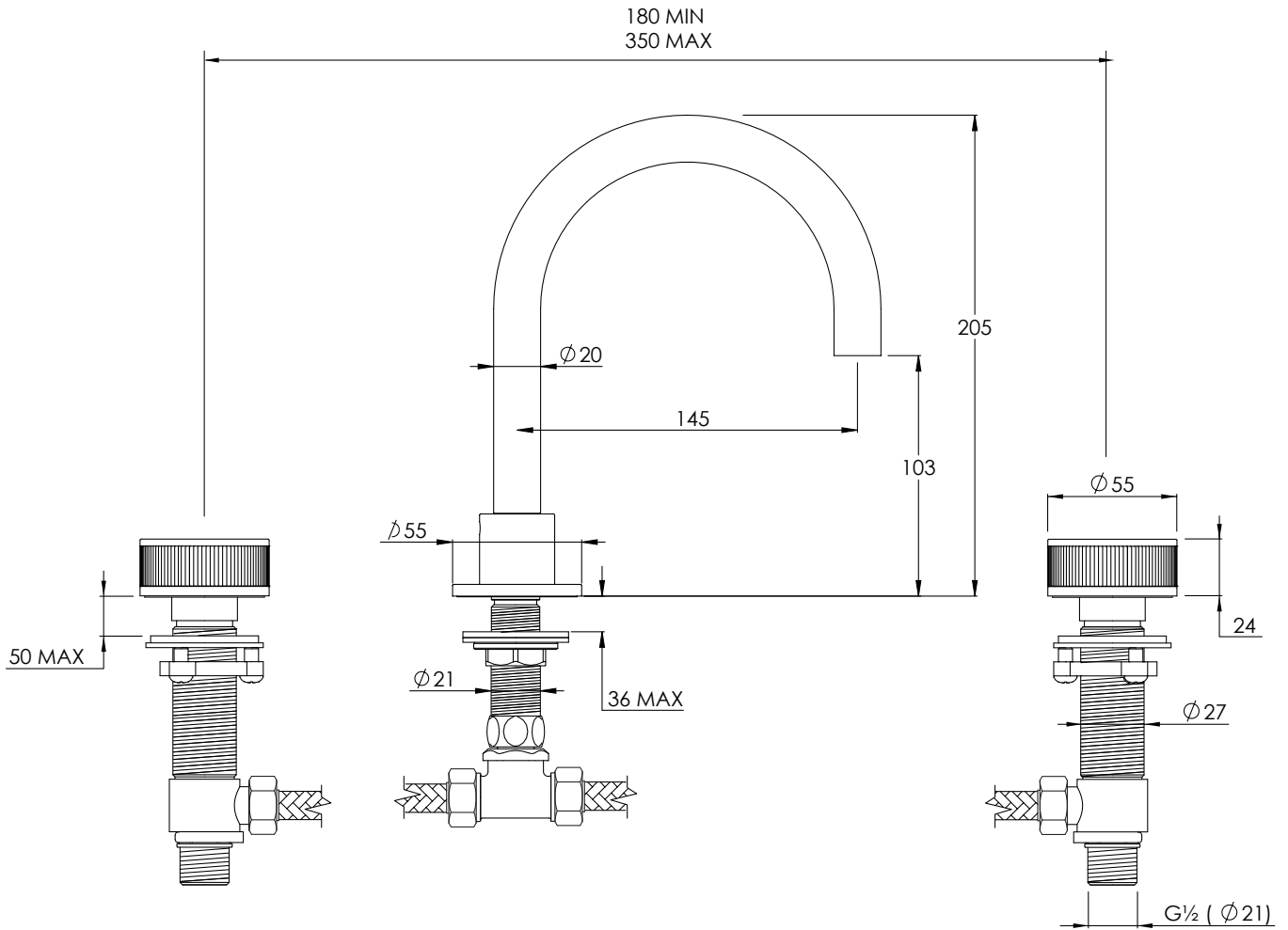
COALBROOK

DC1016

DECK MOUNTED 3 HOLE BASIN
MIXER WITH ROUND SWIVEL SPOUT

DATE: 02/09/21

REVISION: A



DIMENSIONS IN MILLIMETRES

WHILST EVERY EFFORT IS MADE TO ENSURE THE ACCURACY OF THESE DATA SHEETS THEY ARE SUBJECT TO CHANGE WITHOUT NOTICE AS PART OF THE COMPANY'S PRODUCT DEVELOPMENT PROCESS