



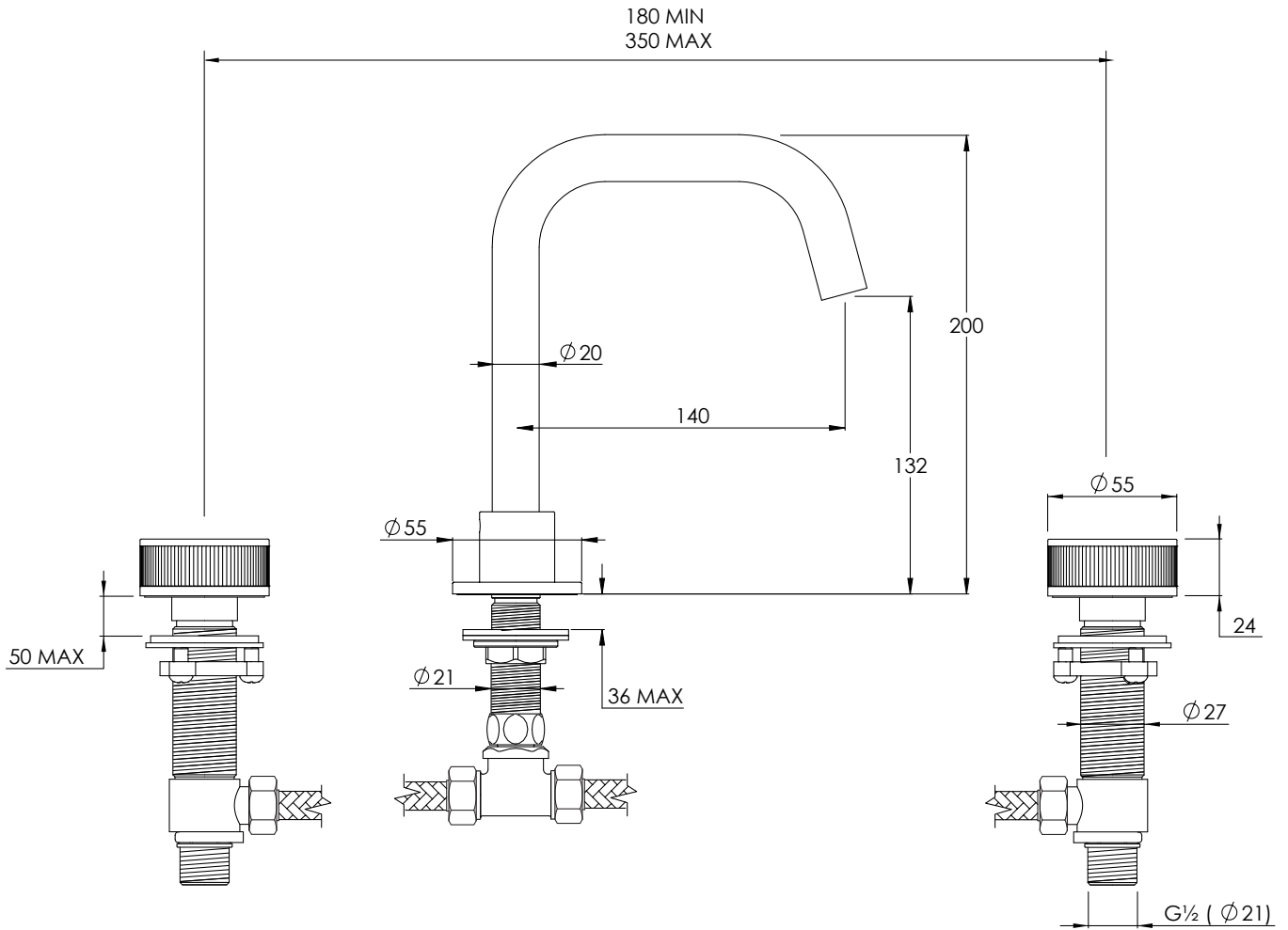
COALBROOK

DC1015

DECK MOUNTED 3 HOLE BASIN
MIXER WITH ANGLED SWIVEL SPOUT

DATE: 02/09/21

REVISION: A



DIMENSIONS IN MILLIMETRES

WHILST EVERY EFFORT IS MADE TO ENSURE THE ACCURACY OF THESE DATA SHEETS THEY ARE SUBJECT TO CHANGE WITHOUT NOTICE AS PART OF THE COMPANY'S PRODUCT DEVELOPMENT PROCESS