



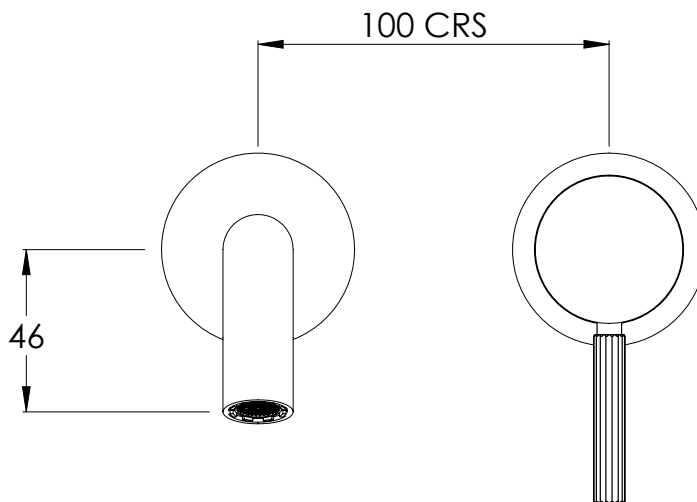
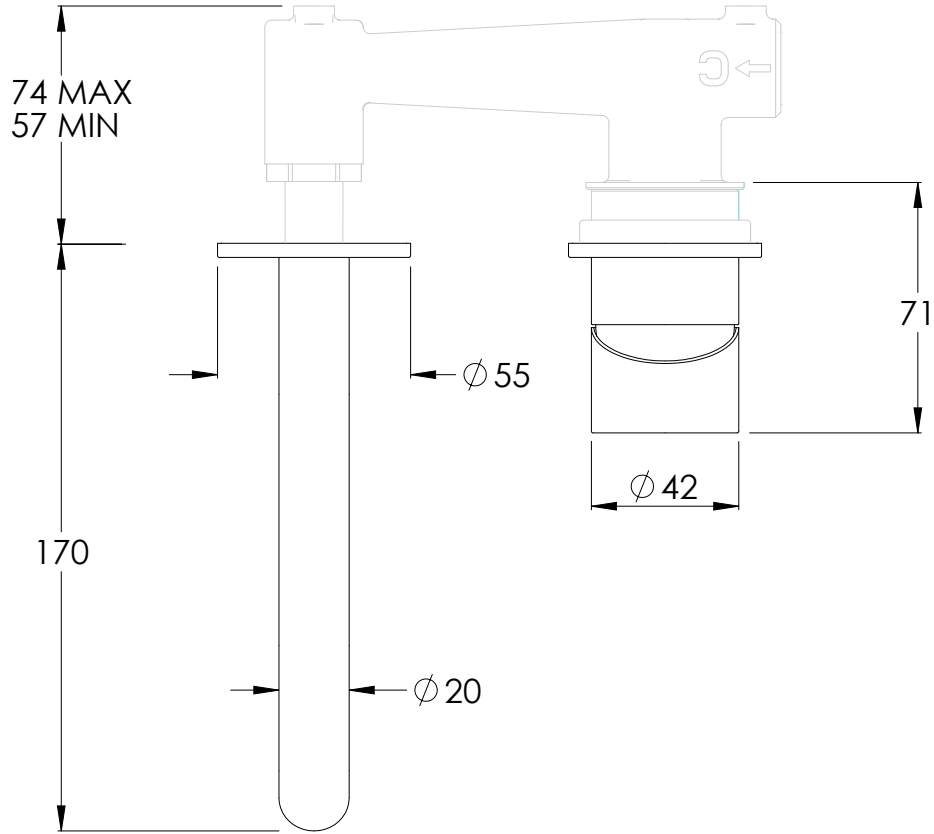
COALBROOK

DC 1007

WALL MOUNTED 2 HOLE BASIN
MIXER - TRIM

DATE: 09/09/21

REVISION: B



DIMENSIONS IN MILLIMETRES

WHILST EVERY EFFORT IS MADE TO ENSURE THE ACCURACY OF THESE DATA SHEETS THEY ARE SUBJECT TO CHANGE WITHOUT NOTICE AS PART OF THE COMPANY'S PRODUCT DEVELOPMENT PROCESS



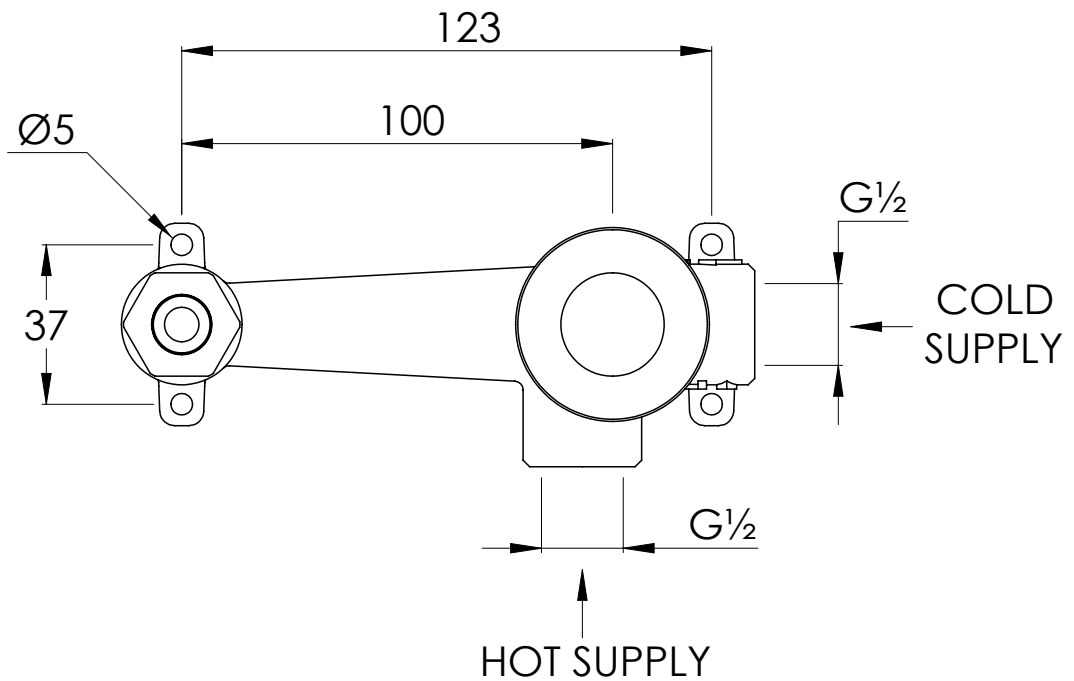
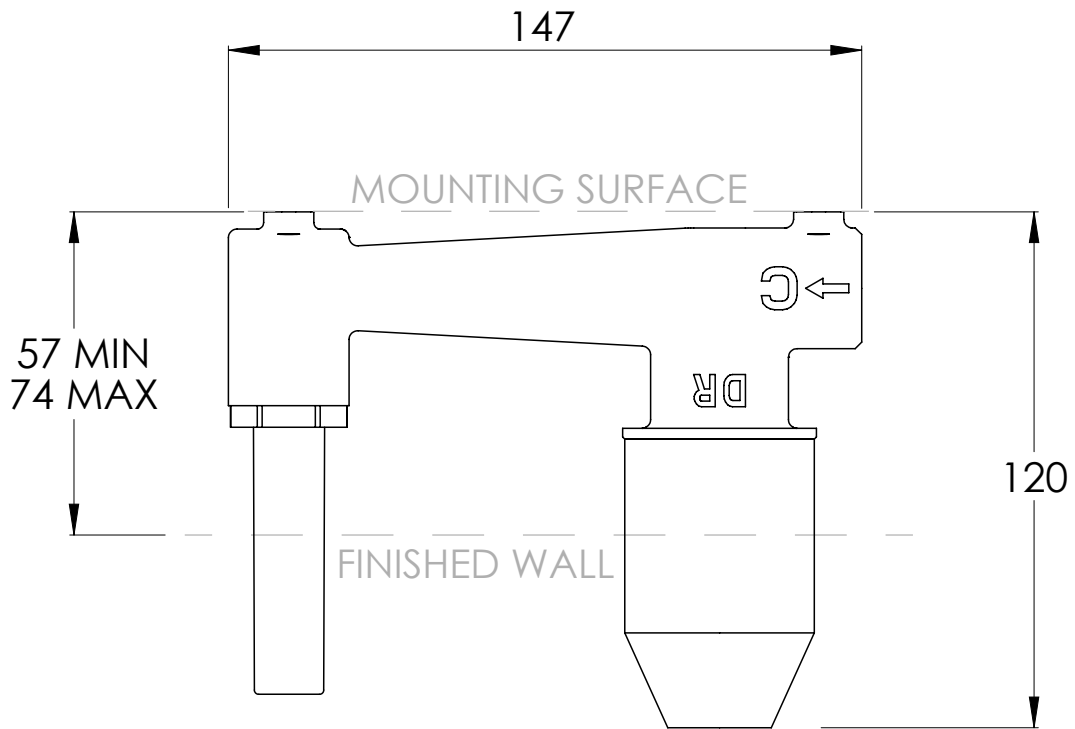
COALBROOK

DO1007

WALL MOUNTED 2 HOLE BASIN
MIXER - ROUGH

DATE: 03/09/19

REVISION: A



DIMENSIONS IN MILLIMETRES

WHILST EVERY EFFORT IS MADE TO ENSURE THE ACCURACY OF THESE DATA SHEETS THEY ARE SUBJECT TO CHANGE WITHOUT NOTICE AS PART OF THE COMPANY'S PRODUCT DEVELOPMENT PROCESS