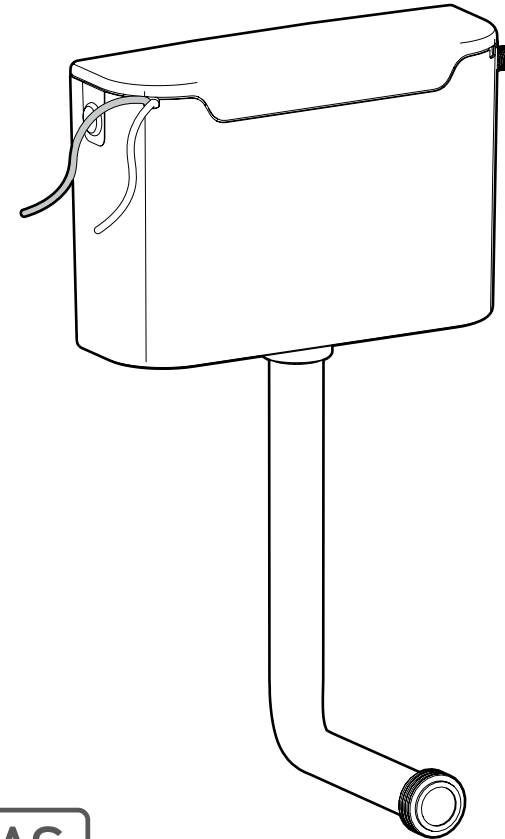


COALBROOK



Whilst every effort is made to ensure the accuracy of these, they are subject to change without notice as part of the company's product development process. The use of trademarks, product design and artwork is subject to licence or agreement. The design registrations, trademark registrations and copyrights are protected by law and the use or reproduction outside the terms of an agreement is prohibited.

The right to modify designs and dimensions is reserved. E & O.E

COALBROOK

www.coalbrookuk.co.uk | info@coalbrookuk.co.uk

CONCEALED PNEUMATIC CISTERN

CO7051

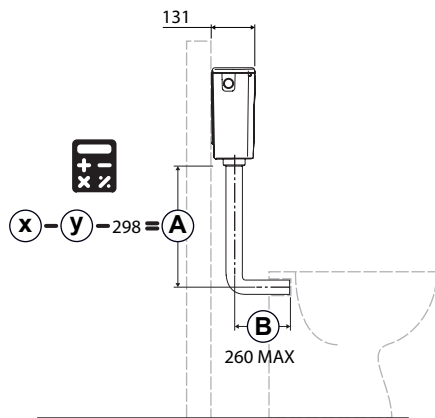
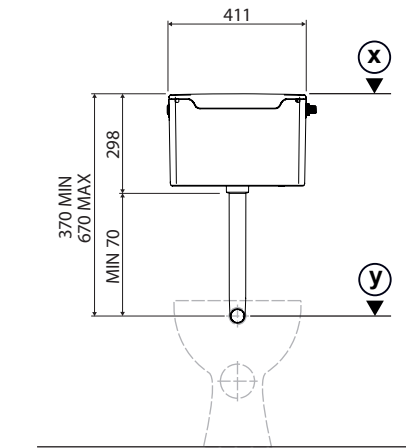
IMPORTANT NOTES

In addition to reference dimensions, allowance must be made for isolation valve, piping and button.

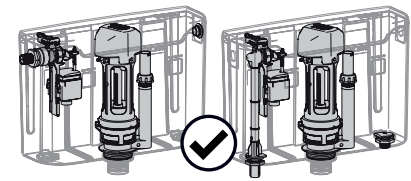
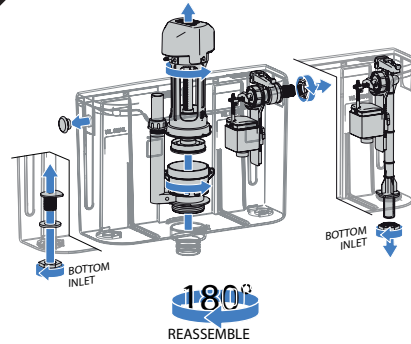
No sealing compound, paste, flux or solvent to be used in contact with plastic or rubber surfaces to avoid damage. Rubber washers will provide adequate seal. PTFE tape may be used on threads. Do not over tighten plastic nuts. No chemical block/additive to be used in this cistern.

Installation to a masonry substrate shown for visual purposes. This procedure is transferable across other installation applications i.e. furniture. Ensure that suitable fixings are used for the required application.

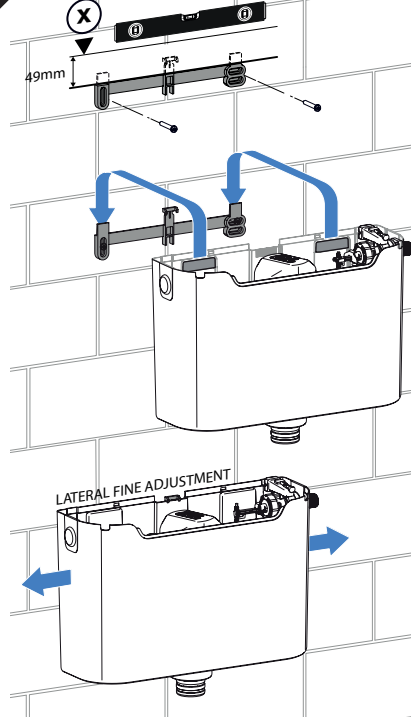
REFERENCE DIMENSIONS



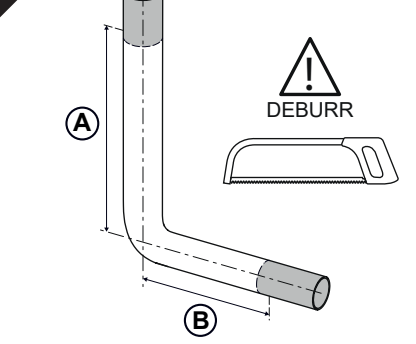
1 CONVERT TO LEFT HAND INLET (IF REQUIRED)



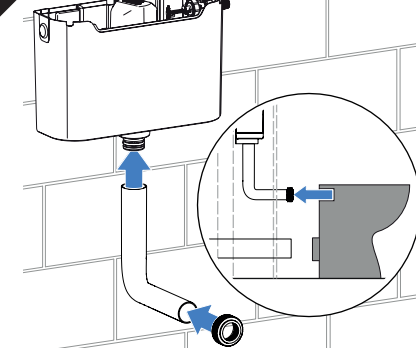
2



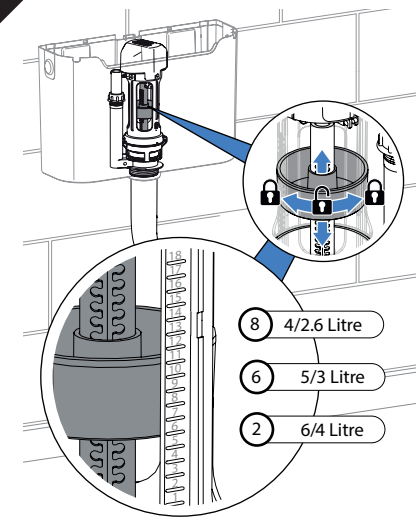
3



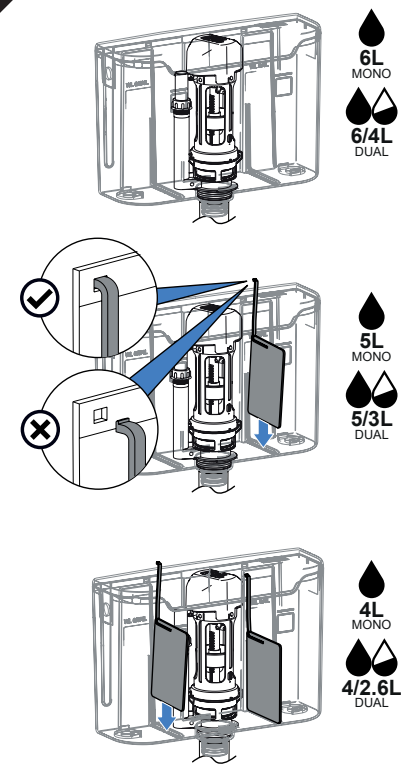
4



5 FLUSH VOLUME CONVERSION (IF REQUIRED)



5 CONTINUED...



6

