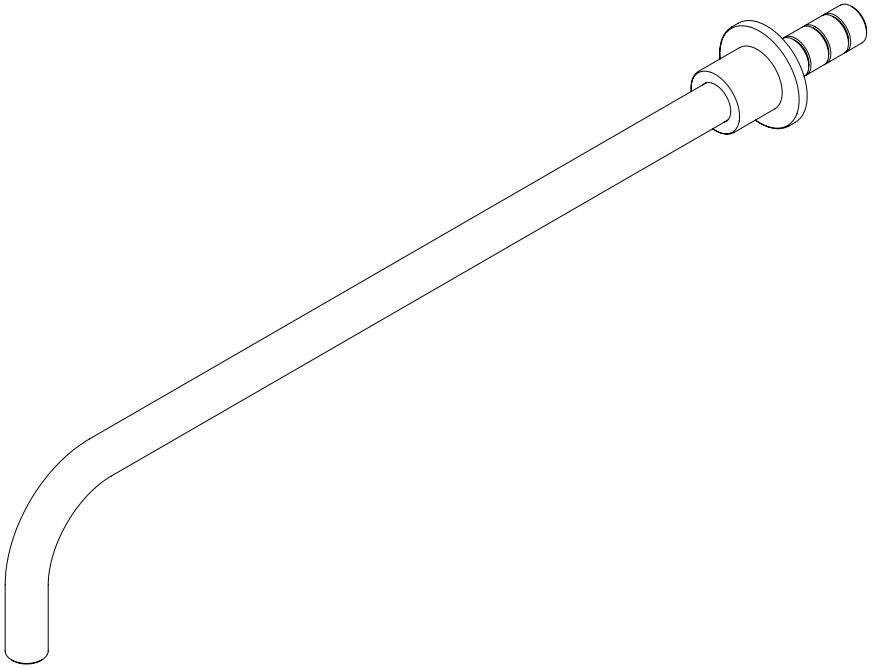


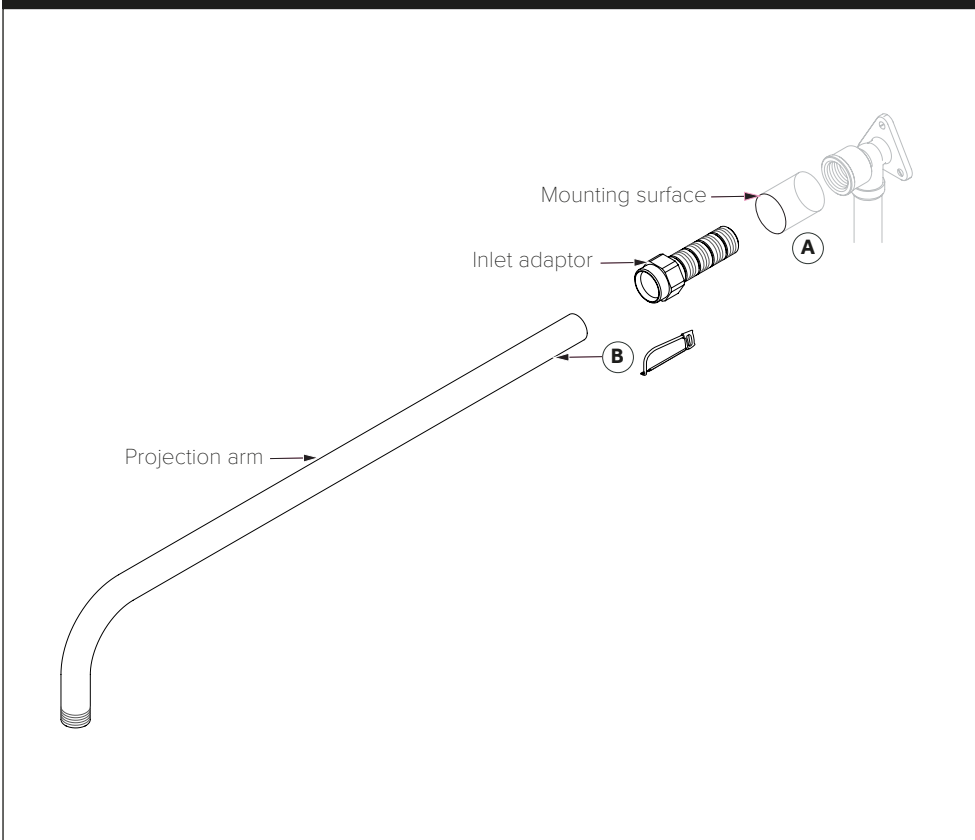
COALBROOK



ADJUSTABLE WALL ARM

CO4016

MONOBLOC MIXER INSTALLATION DIAGRAM (STEPS 1 - 2)

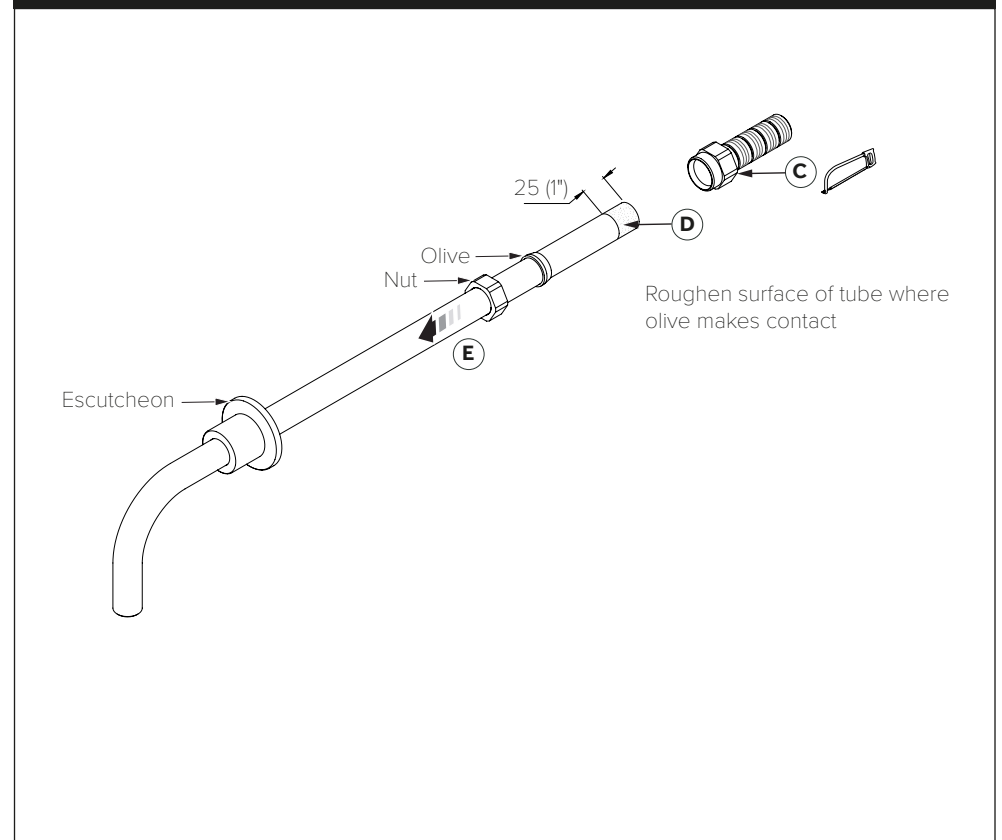


1. Where required, drill a suitable size hole in the mounting surface to suit the threaded tail on the inlet adaptor (A) which is $\text{\O}21$. The shower arm requires a $\frac{1}{2}$ " BSP wall outlet recessed in place.

2. Remove the desired length from the projection arm (B) using a suitable hacksaw.

* Consider the size of the shower head that is being installed prior to cutting the projection arm, ensuring there will be enough space.

MONOBLOC MIXER INSTALLATION DIAGRAM (STEPS 3 - 5)



3. Measure the depth required for the hexagonal shoulder to finish flush with the mounting surface. Cut the threaded tail to the required length (C).

4. Plated tubes have a smooth surface. For this reason, we recommend that the surface in contact with the olive (the top 25mm of the cut tube) (D) be gently roughened using a suitable abrasive sheet or pad.

5. Slide the Escutcheon, nut & olive onto the projection arm (E).

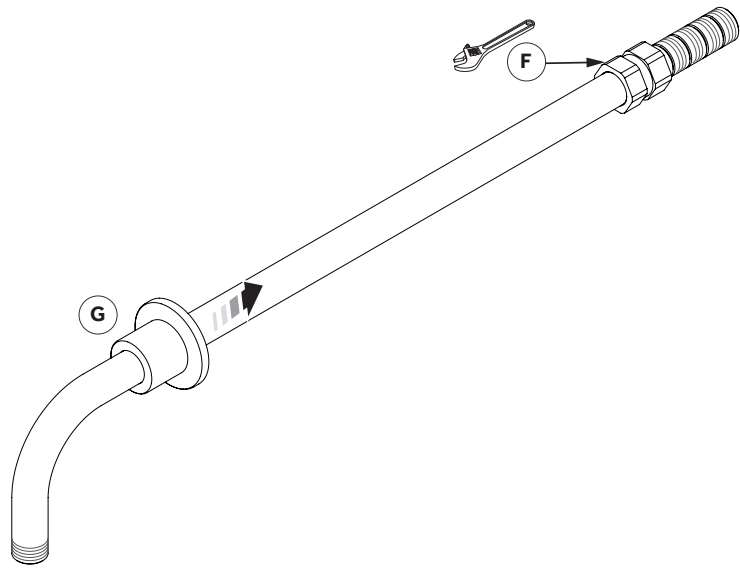
COALBROOK

www.coalbrookuk.co.uk | info@coalbrookuk.co.uk

COALBROOK

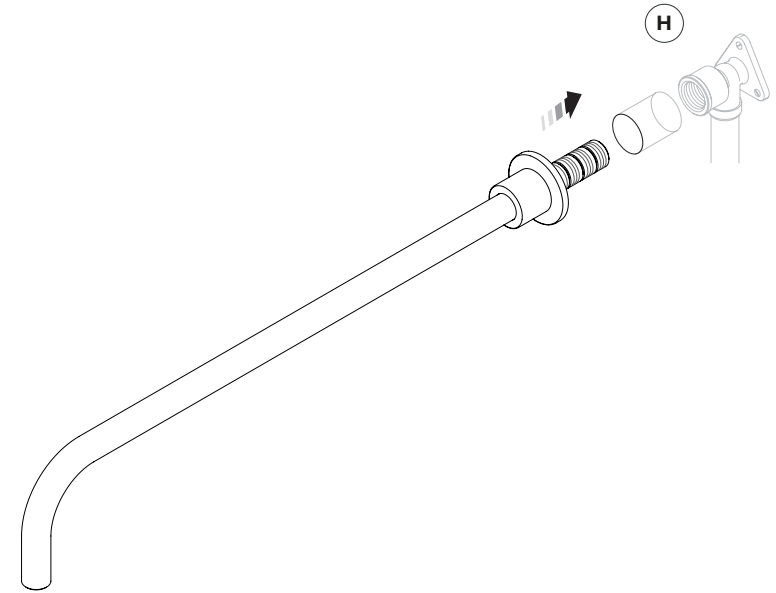
www.coalbrookuk.co.uk | info@coalbrookuk.co.uk

MONOBLOC MIXER INSTALLATION DIAGRAM (STEPS 6 - 7)



- Using 2 spanners, one on the flats of the inlet adaptor and the other on the nut, secure the nut and olive to the projection arm (F).
- Slide the escutcheon along the projection arm until it comes to a stop (G), concealing the nut and inlet adaptor.

MONOBLOC MIXER INSTALLATION DIAGRAM (STEP 8)



- Apply a suitable sealant or sealing tape to the threaded tail. Screw the threaded tail into the female wall outlet (H).

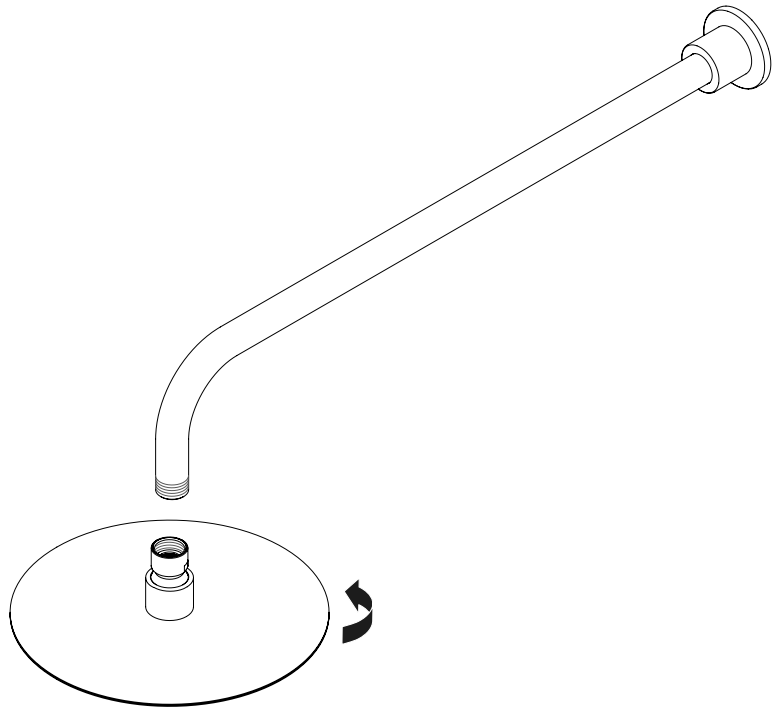
COALBROOK

www.coalbrookuk.co.uk | info@coalbrookuk.co.uk

COALBROOK

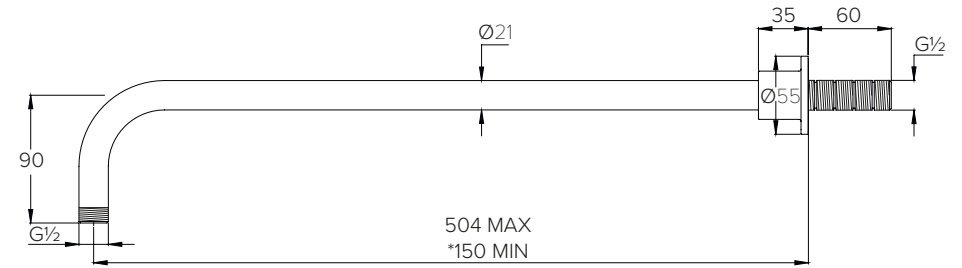
www.coalbrookuk.co.uk | info@coalbrookuk.co.uk

ADJUSTABLE CEILING ARM INSTALLATION DIAGRAM (STEP 9)



9. Ensure to flush all pipework and check for leaks before screwing the shower head onto the threaded end of the projection arm.

SPECIFICATION DIAGRAM





COALBROOK

Whilst every effort is made to ensure the accuracy of these, they are subject to change without notice as part of the company's product development process. The use of trademarks, product design and artwork is subject to licence or agreement. The design registrations, trademark registrations and copyrights are protected by law and the use or reproduction outside the terms of an agreement is prohibited.

The right to modify designs and dimensions is reserved. E & O.E.

v11022

COALBROOK

www.coalbrookuk.co.uk | info@coalbrookuk.co.uk