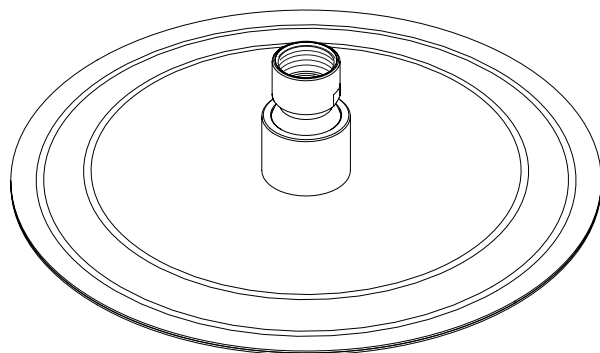
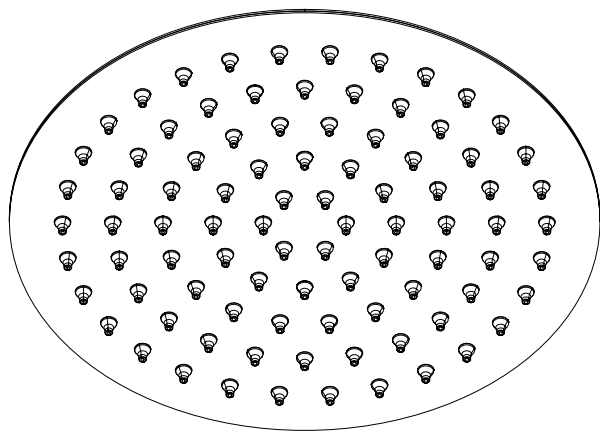




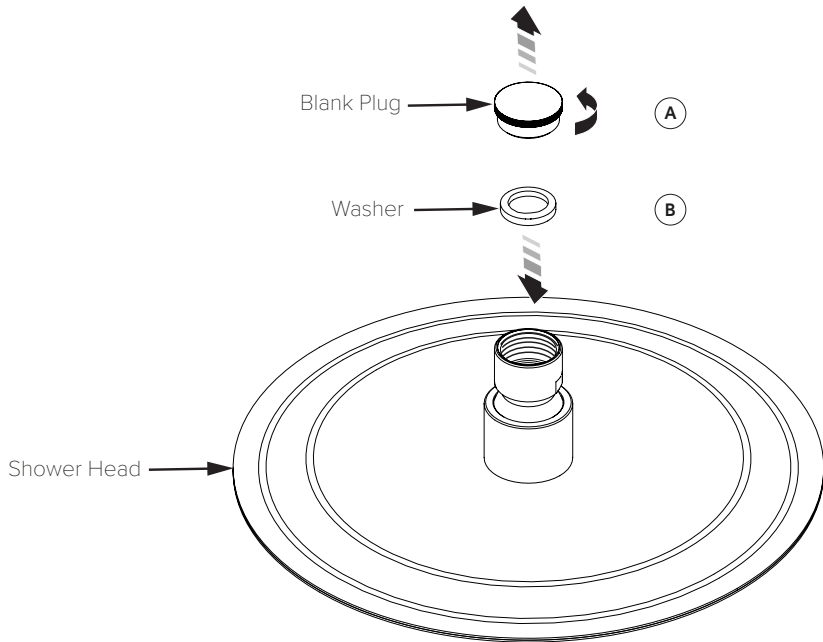
COALBROOK



SHOWER HEAD INSTALLATION

CO4003 | CO4004

SHOWER HEAD INSTALLATION DIAGRAM (STEPS 1 - 2)

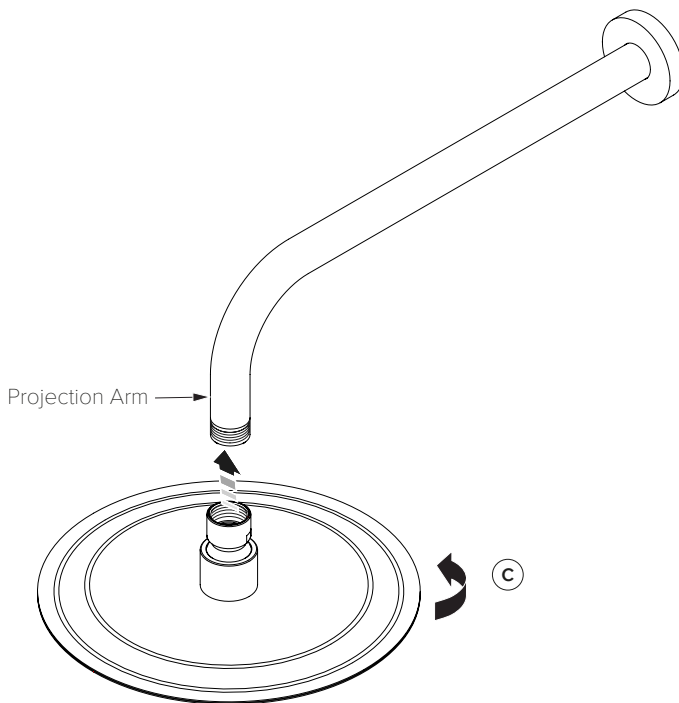


1. After removing the shower head from its packaging, unscrew the blank plug (A) from the inlet on the top side of the shower head.
2. Before assembling the shower head to the arm or bracket, ensure that the sealing washer is inserted into the swivel inlet bracket on the top side of the shower head (B).

COALBROOK

www.coalbrookuk.co.uk | info@coalbrookuk.co.uk

SHOWER HEAD INSTALLATION DIAGRAM (STEP 3)

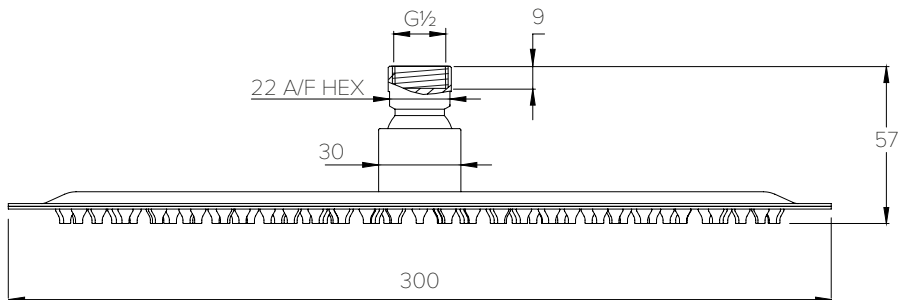


3. Remember to flush all pipework and check for leaks before screwing the shower head onto any bracket or arm (C).

COALBROOK

www.coalbrookuk.co.uk | info@coalbrookuk.co.uk

SPECIFICATION DIAGRAM (CO4003) 300mm

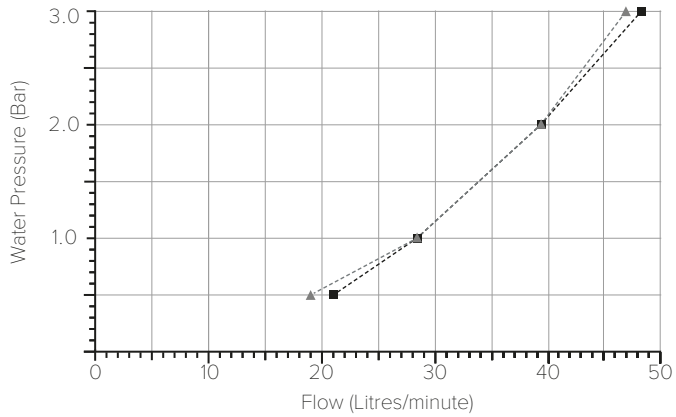


COALBROOK

www.coalbrookuk.co.uk | info@coalbrookuk.co.uk

TYPICAL FLOW RATES (CO4003) 300mm

Flow rates shown are free-flowing and may vary subject to restrictions created by installation, pipework layout or application

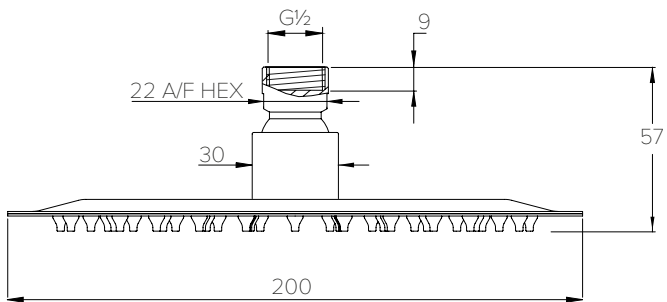


| Water Pressure (Bar) | Ceiling Arm (Litres/minute) | Projection Arm (Litres/minute) |
|----------------------|-----------------------------|--------------------------------|
| 0.5 | 21.0 | 18.9 |
| 1.0 | 28.1 | 28.1 |
| 2.0 | 39.4 | 39.4 |
| 3.0 | 47.6 | 47.6 |

COALBROOK

www.coalbrookuk.co.uk | info@coalbrookuk.co.uk

SPECIFICATION DIAGRAM (CO4004) 200mm

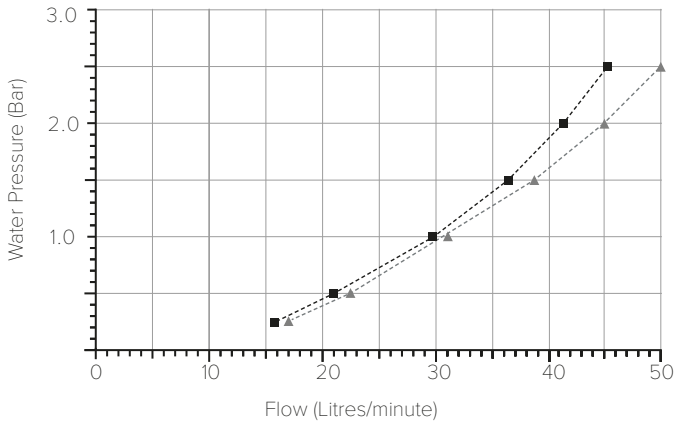


COALBROOK

www.coalbrookuk.co.uk | info@coalbrookuk.co.uk

TYPICAL FLOW RATES (CO4004) 200mm

Flow rates shown are free-flowing and may vary subject to restrictions created by installation, pipework layout or application



| Water Pressure (Bar) | Ceiling Arm | Projection Arm |
|-------------------------|-----------------|-----------------|
| | (Litres/minute) | (Litres/minute) |
| | ■ | ▲ |
| 0.5 | 3.8 | 17.0 |
| 1.0 | 5.5 | 22.4 |
| 2.0 | 7.8 | 31.0 |
| 3.0 | 9.6 | 38.5 |
| 4.0 | 11.1 | 45.0 |
| 5.0 | 12.4 | 50.3 |

COALBROOK

www.coalbrookuk.co.uk | info@coalbrookuk.co.uk



COALBROOK

Whilst every effort is made to ensure the accuracy of these, they are subject to change without notice as part of the company's product development process. The use of trademarks, product design and artwork is subject to licence or agreement. The design registrations, trademark registrations and copyrights are protected by law and the use or reproduction outside the terms of an agreement is prohibited.

The right to modify designs and dimensions is reserved. E & O.E.

COALBROOK

www.coalbrookuk.co.uk | info@coalbrookuk.co.uk