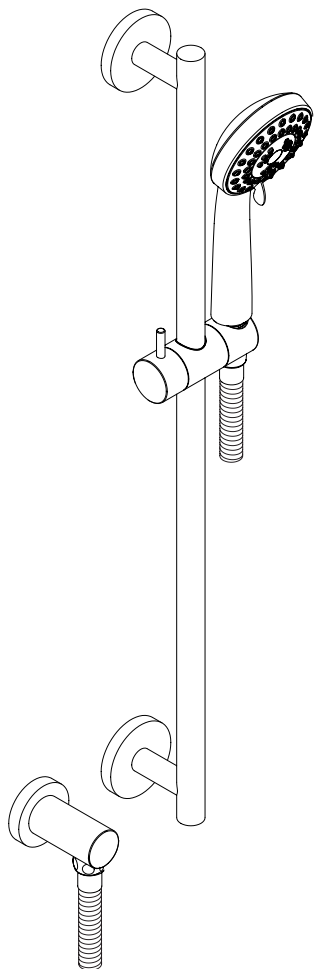




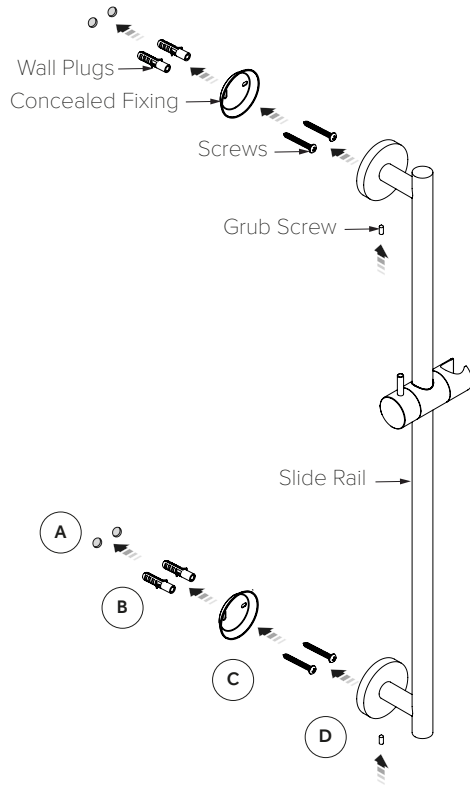
COALBROOK



**SLIDE RAIL AND HANDSHOWER
INSTALLATION**

CO4002

SLIDE RAIL INSTALLATION DIAGRAM

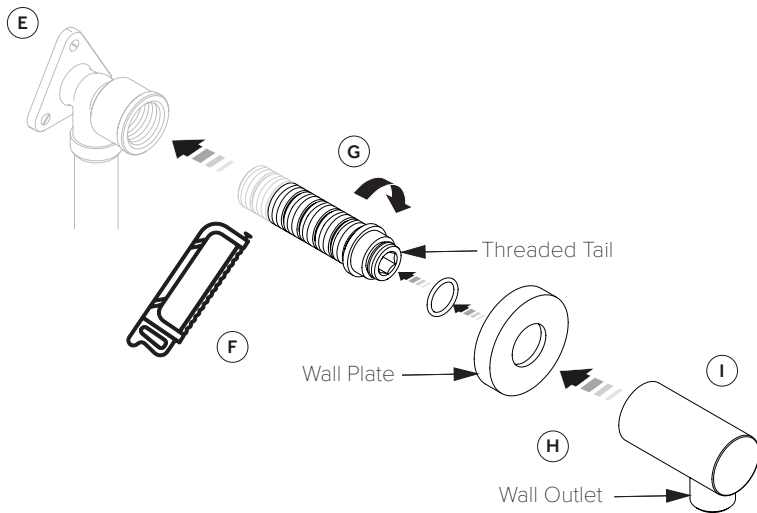


1. Offer the concealed fixings to the mounting surface and mark the hole positions in accordance to the centres shown on the specification sheet. Use a spirit level to check that the holes are horizontally and vertically aligned.
2. Drill holes using a 6mm drill bit (A).
3. Insert the wall plugs into the holes (B), then secure the concealed wall plates with the screws provided (C).
4. Locate the slide rail wall plates over the concealed fixings and secure using the provided grub screws on the underside (D).

COALBROOK

www.coalbrookuk.co.uk | info@coalbrookuk.co.uk

WALL OUTLET INSTALLATION DIAGRAM

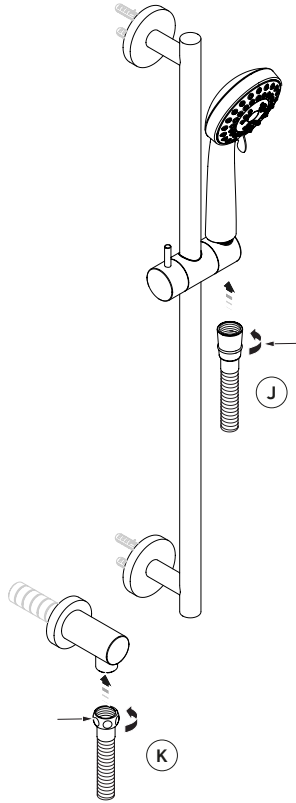


1. The wall outlet requires a 1/2" BSP wall outlet recessed in place (E).
2. Measure the depth required for the wall plate to finish flush with the mating wall surface. Cut the threaded tail to the required length. (F)
3. Apply a suitable sealant or sealing tape to the threaded tail. Screw the threaded tail into the female wall outlet using a 10mm A/F hexagonal key (G).
4. Screw the wall outlet onto the exposed end of the threaded tail ensuring that the 'O' ring is in place to seal (H). Align the outlet so that the threaded outlet is facing downwards (I).

COALBROOK

www.coalbrookuk.co.uk | info@coalbrookuk.co.uk

FINISH INSTALLATION DIAGRAM

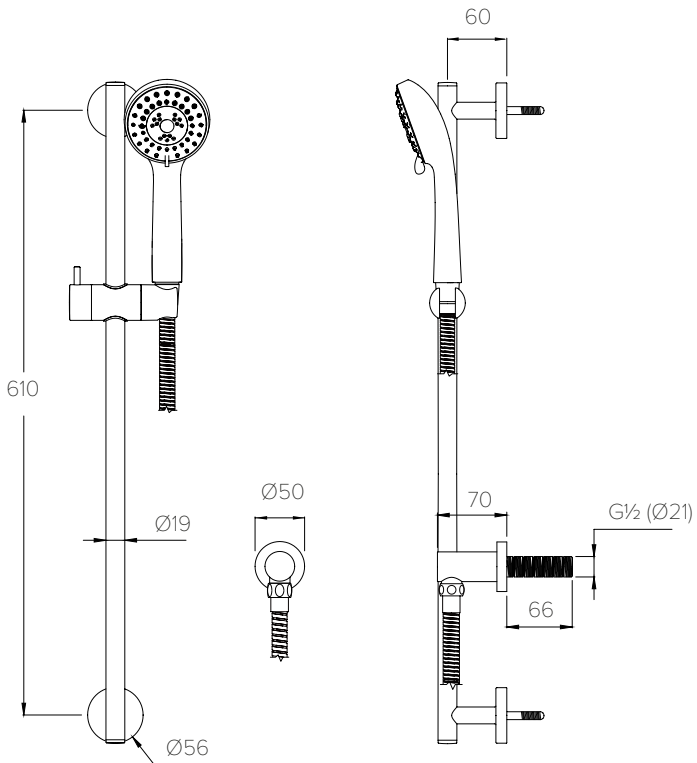


7. Use the provided shower hose to connect the handshower to the wall outlet bracket and slide rail handshower. The conical end of the hose should be screwed onto the threaded end of the handshower (J). Screw the hexagonal end of the shower hose onto the outlet port on the underside of the shower bracket (K).

COALBROOK

www.coalbrookuk.co.uk | info@coalbrookuk.co.uk

SPECIFICATION DIAGRAM (mm)

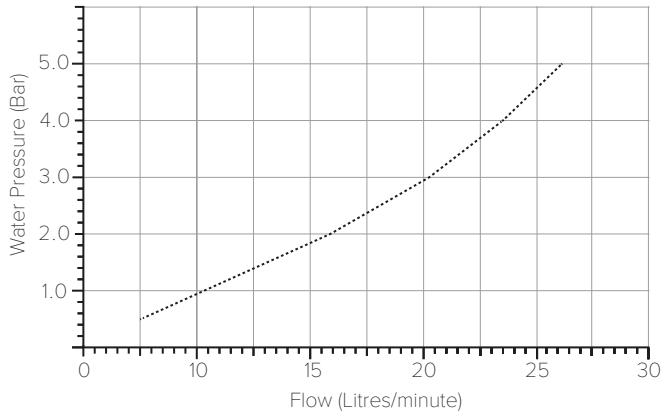


COALBROOK

www.coalbrookuk.co.uk | info@coalbrookuk.co.uk

TYPICAL FLOW RATES

Flow rates shown are free-flowing and may vary subject to restrictions created by installation, pipework layout or application



Water Pressure (Bar)	Outlet (Litres/minute)
0.5	7.5
1.0	10.6
2.0	15.8
3.0	20.2
4.0	23.5
5.0	26.3

COALBROOK

www.coalbrookuk.co.uk | info@coalbrookuk.co.uk

COALBROOK

www.coalbrookuk.co.uk | info@coalbrookuk.co.uk



COALBROOK

Whilst every effort is made to ensure the accuracy of these, they are subject to change without notice as part of the company's product development process. The use of trademarks, product design and artwork is subject to licence or agreement. The design registrations, trademark registrations and copyrights are protected by law and the use or reproduction outside the terms of an agreement is prohibited.

The right to modify designs and dimensions is reserved. E & O.E.

COALBROOK

www.coalbrookuk.co.uk | info@coalbrookuk.co.uk