



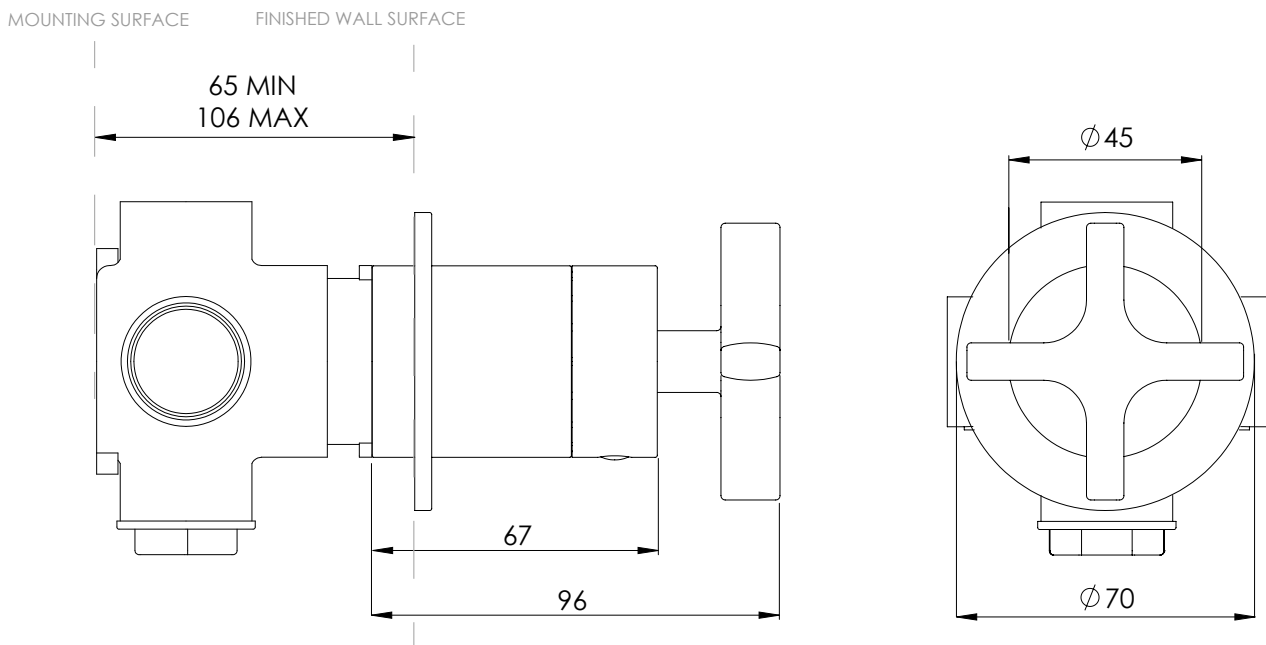
COALBROOK

BA2007

BANK WALL MOUNTED 2-WAY
DIVERTER TRIMSET

DATE: 16/11/2023

REVISION: A



DIMENSIONS IN MILLIMETRES

WHILST EVERY EFFORT IS MADE TO ENSURE THE ACCURACY OF THESE DATA SHEETS THEY ARE SUBJECT TO CHANGE WITHOUT NOTICE AS PART OF THE COMPANY'S PRODUCT DEVELOPMENT PROCESS



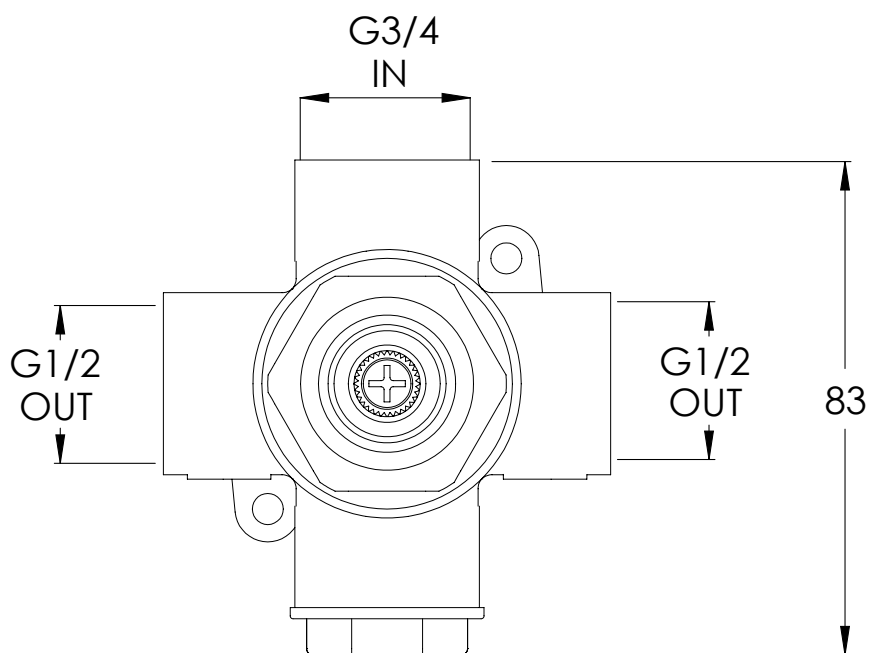
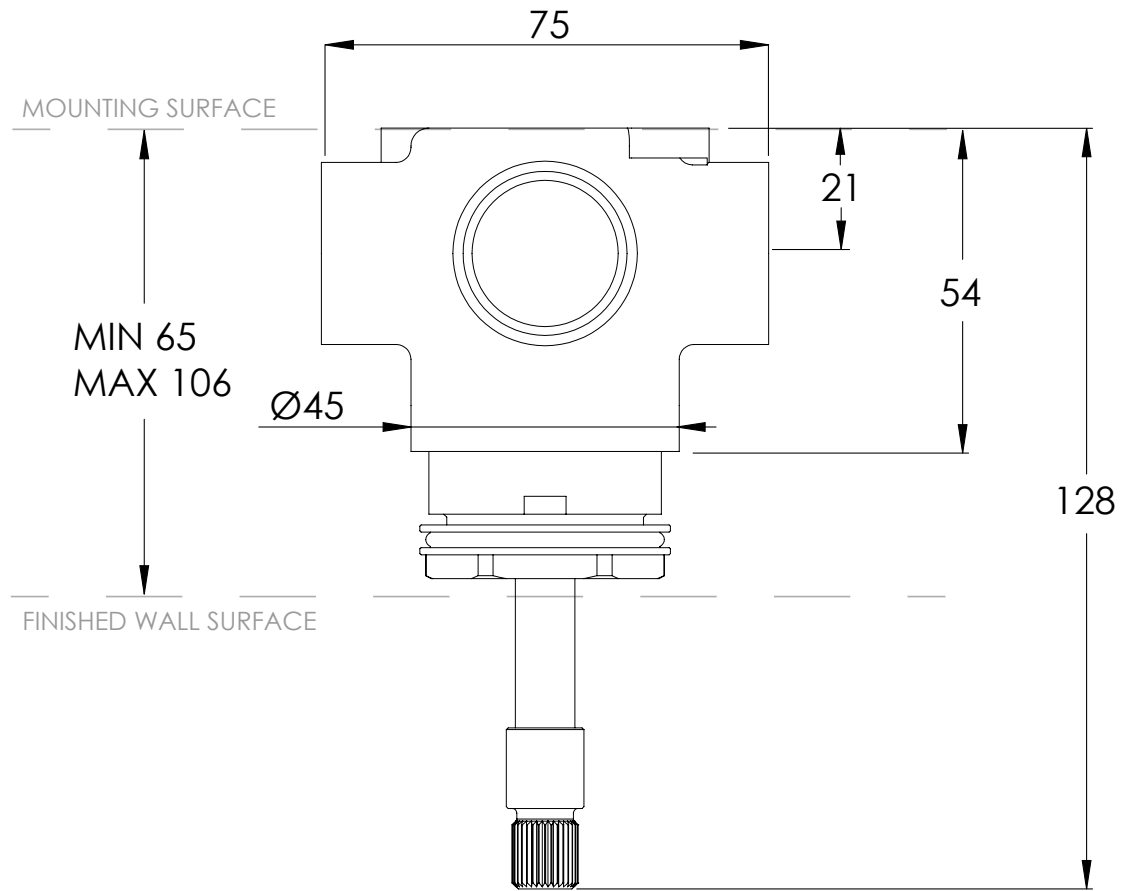
COALBROOK

C02104

WALL MOUNTED 2-WAY DIVERTER
ROUGH

DATE: 16/11/2023

REVISION: A



DIMENSIONS IN MILLIMETRES

WHILST EVERY EFFORT IS MADE TO ENSURE THE ACCURACY OF THESE DATA SHEETS THEY ARE SUBJECT TO CHANGE WITHOUT NOTICE AS PART OF THE COMPANY'S PRODUCT DEVELOPMENT PROCESS