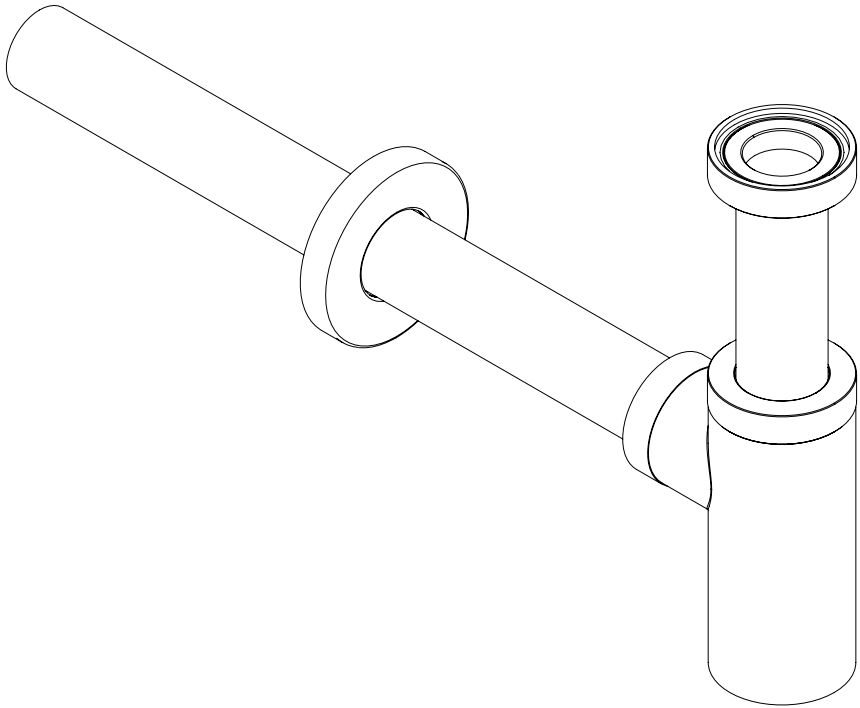


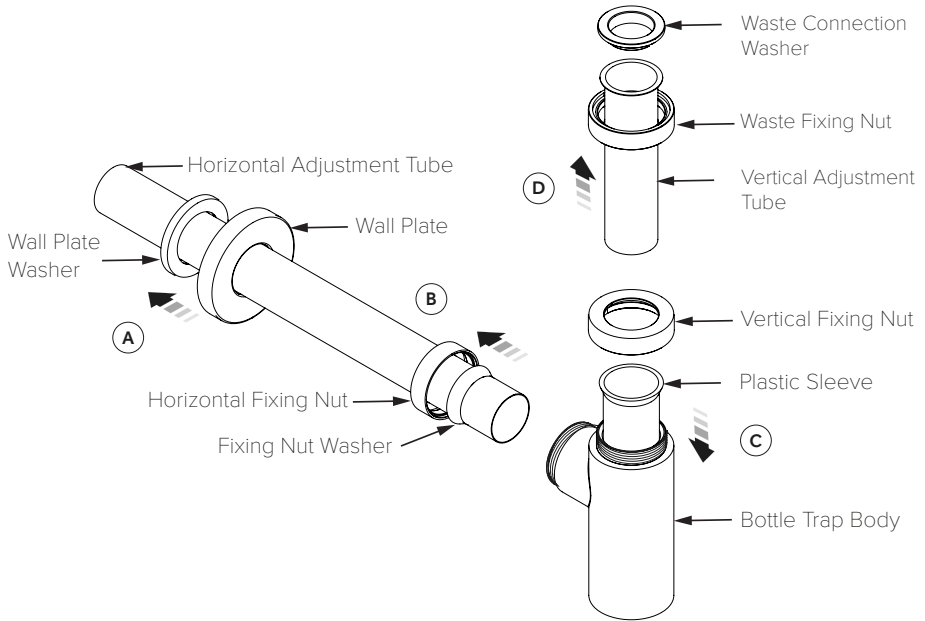
COALBROOK



BOTTLE TRAP INSTALLATION

CO5004

BOTTLE TRAP INSTALLATION DIAGRAM



COALBROOK

www.coalbrookuk.co.uk | info@coalbrookuk.co.uk

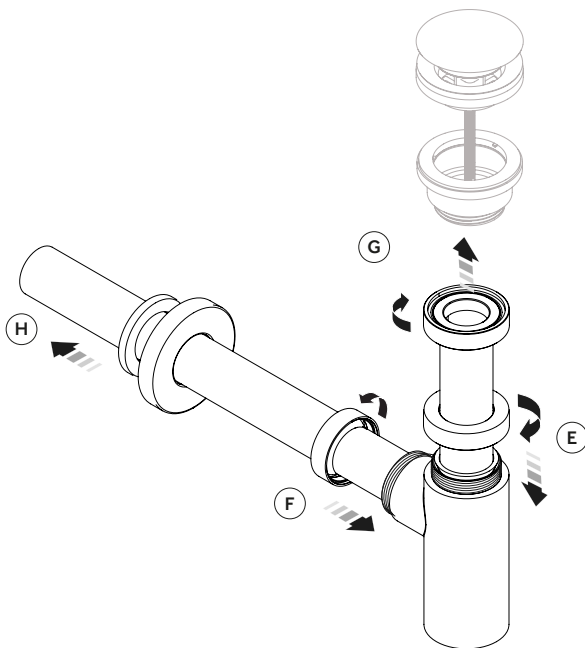
BOTTLE TRAP INSTALLATION INSTRUCTIONS

1. Before installing the bottle trap to a basin and waste set-up, all necessary components need to be assembled in the correct order.
2. On the horizontal axis, slide the wall plate and its washer along the horizontal tube (A). The horizontal fixing nut and its washer can then be located onto the horizontal tube in the shown orientation in the diagram opposite (B).
3. Ensure that the plastic sleeve is fully inserted into the bottle trap body (C).
4. On the vertical axis, slide the waste fixing nut along the vertical tube with the thread facing the top (D). Locate the waste connection washer on the flange at the top of the vertical tube.

COALBROOK

www.coalbrookuk.co.uk | info@coalbrookuk.co.uk

BOTTLE TRAP INSTALLATION DIAGRAM



COALBROOK

www.coalbrookuk.co.uk | info@coalbrookuk.co.uk

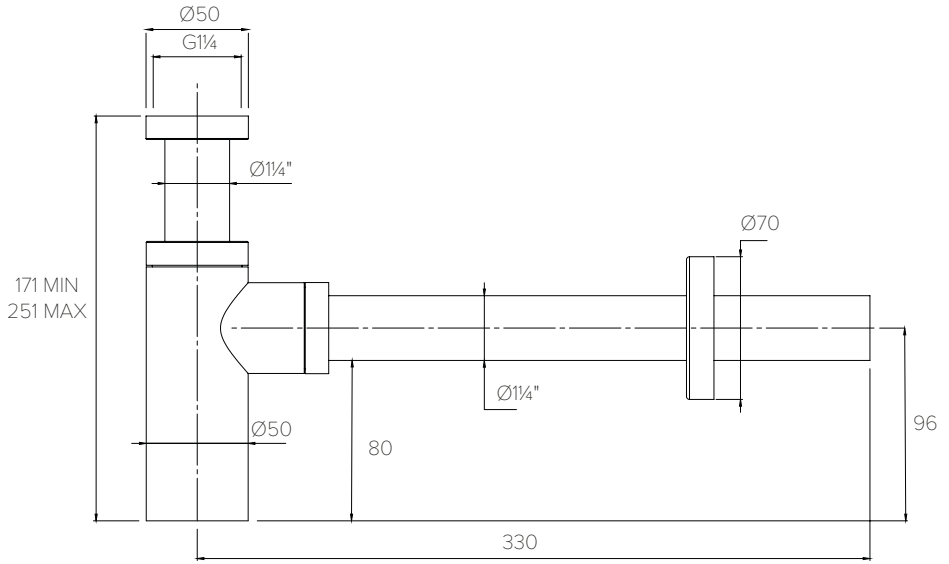
BOTTLE TRAP INSTALLATION INSTRUCTIONS

5. Insert the vertical adjustment tube into the bottle trap body and adjust to the correct height required. Secure the vertical tube in place by tightening the vertical fixing nut onto the bottle trap body thread (E).
6. Insert the horizontal tube into the bottle trap body, with the washer attached, and adjust to the correct depth required. Secure the horizontal tube by tightening the fixing nut onto the bottle trap body (F).
7. Ensure that the waste connection washer is in place. Connect the vertical section of the bottle trap to the basin waste via the waste fixing nut (G).
8. Fit the pre-installed drain pipe from the wall to the inside of the horizontal section of the bottle trap and slide the wall plate to the the wall, use a suitable sealant to secure and seal in place (H). Check for leaks before concealing pipework.

COALBROOK

www.coalbrookuk.co.uk | info@coalbrookuk.co.uk

SPECIFICATION DIAGRAM (mm)



COALBROOK

www.coalbrookuk.co.uk | info@coalbrookuk.co.uk

COALBROOK

www.coalbrookuk.co.uk | info@coalbrookuk.co.uk



COALBROOK

Whilst every effort is made to ensure the accuracy of these, they are subject to change without notice as part of the company's product development process. The use of trademarks, product design and artwork is subject to licence or agreement. The design registrations, trademark registrations and copyrights are protected by law and the use or reproduction outside the terms of an agreement is prohibited.

The right to modify designs and dimensions is reserved. E & O.E.

COALBROOK

www.coalbrookuk.co.uk | info@coalbrookuk.co.uk