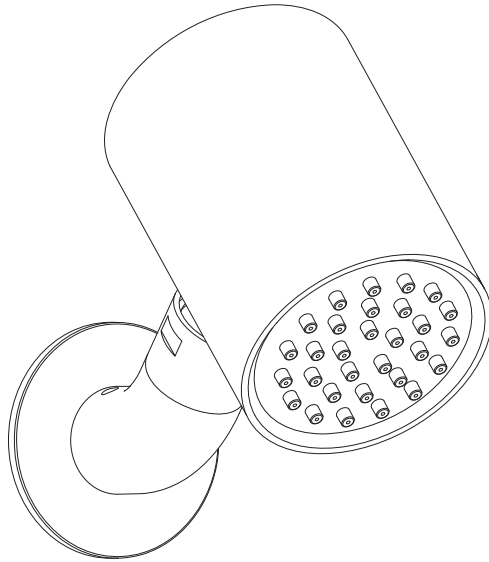




COALBROOK



TBX SHOWER HEAD INSTALLATION

Professional installation

We recommend that our products are fitted by a fully qualified professional plumber. They should be installed correctly and in accordance with all local water regulations and the system protected by non-return valves (not supplied). All products should be accessible for routine servicing.

Suits all systems

This Coalbrook product is potentially suitable for every possible application, type of boiler and water supply pressure. However, if your supply pressure is below 1 bar it is advisable to fit a water pump. For systems with combination boilers, it is not advisable to fit pumps (refer to boiler manufacturer).

Supply temperature safety notice

Shower head supplied from manual hot and cold water supplies.

A thermostatic mixing valve (TMV) should be fitted (not supplied) to the hot supply to restrict the temperature to a safe working / maximum temperature to comply with local building regulations, current legislation, relevant standards and codes of practice. Maximum allowed temperatures vary subject to type of installation or specification of building.

Shower rose and arm supplied from a thermostatic shower control.

There is no need to fit a thermostatic mixing valve (TMV).

Flushing system

It is most important to flush out all pipework thoroughly before connecting the shower head.

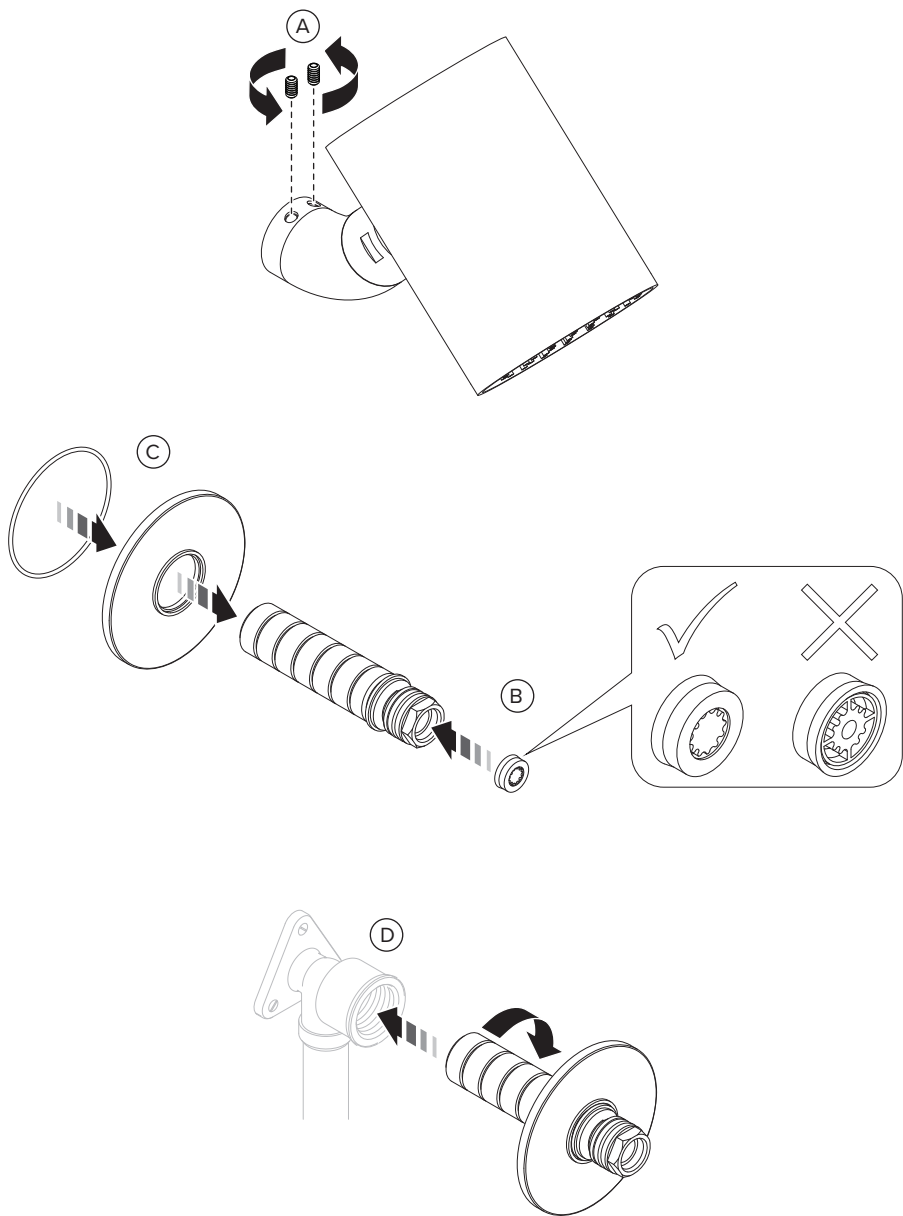
Connections

Coalbrook do not supply any pipework or connections for shower heads as they can be installed in a variety of configurations subject to each customer's installation, design or requirements.

Water quality

In hard water areas, a suitable water treatment system should be provided to prevent limescale deposits (calcium deposits) which may effect the long term performance of the shower head. Exterior surfaces should be gently wiped with a dry soft cloth after use to minimise water stains and limescale deposits.

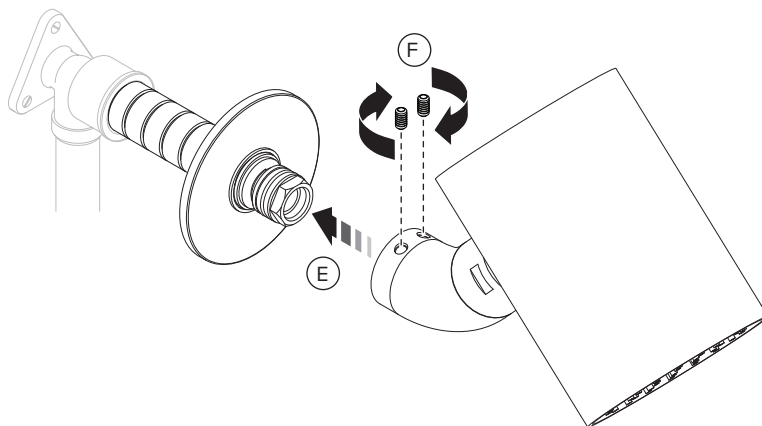
SHOWER HEAD INSTALLATION DIAGRAM



COALBROOK

www.coalbrookuk.co.uk | info@coalbrookuk.co.uk

SHOWER HEAD INSTALLATION DIAGRAM (STEPS 1 - 7)



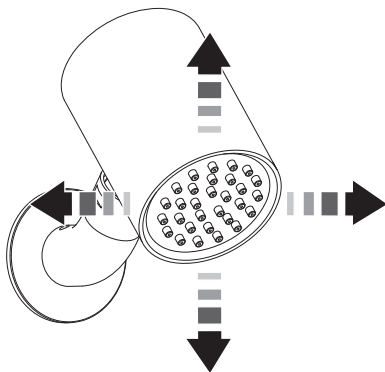
1. After removing the shower head from its packaging, unscrew and remove the two grub screws (A) from the top of the elbow using a suitable sized hexagonal key.
2. The threaded tail has recesses along its length to aid cutting. Cut the threaded tail to the required length.
3. Certain installations require the use of a flow restrictor. If required, ensure the flow restrictor orientation is as shown, then locate and push the flow restrictor into the hexagonal end of the threaded tail (B).
4. Ensure that the O ring is located into the recess in the rear of the wall plate. Slide the wall plate onto the threaded tail (C).
5. Apply suitable sealing compound/tape to the threaded tail. Screw the threaded tail into a suitable G $\frac{1}{2}$ female connector or tee connector (D). To aid in this, the end of the threaded tail has a hexagonal end. Be careful not to over tighten the threaded tail.
6. Locate the shower head onto the threaded tail (E). Ensure that it is aligned correctly, then secure in place using the two grub screws previously removed (F) and a suitable size hexagonal key.
7. Once installed, check for leaks.

COALBROOK

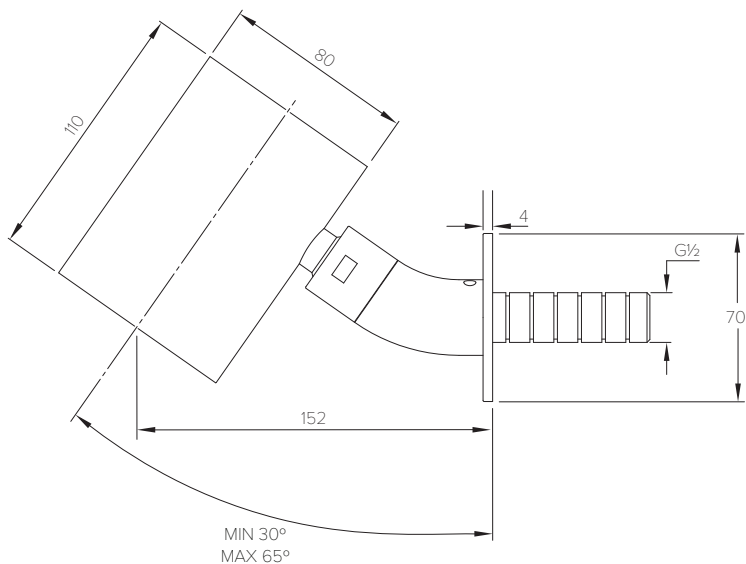
www.coalbrookuk.co.uk | info@coalbrookuk.co.uk

SHOWER HEAD ADJUSTMENT

The shower head can be gently adjusted by hand.



SPECIFICATION DIAGRAM (mm)

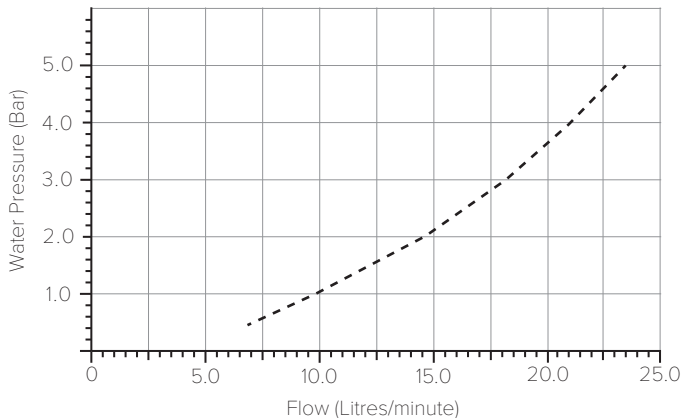


COALBROOK

www.coalbrookuk.co.uk | info@coalbrookuk.co.uk

TYPICAL FLOW RATES

Flow rates shown are free-flowing and may vary subject to restrictions created by installation, pipework layout or application.



Water Pressure (Bar)	Outlet (Litres/minute)
0.5	6.9
1.0	9.8
2.0	14.6
3.0	18.2
4.0	21.1
5.0	23.5



COALBROOK

Whilst every effort is made to ensure the accuracy of these, they are subject to change without notice as part of the company's product development process. The use of trademarks, product design and artwork is subject to licence or agreement. The design registrations, trademark registrations and copyrights are protected by law and the use or reproduction outside the terms of an agreement is prohibited.

The right to modify designs and dimensions is reserved. E & O.E.

V2.0325

COALBROOK

www.coalbrookuk.co.uk | info@coalbrookuk.co.uk