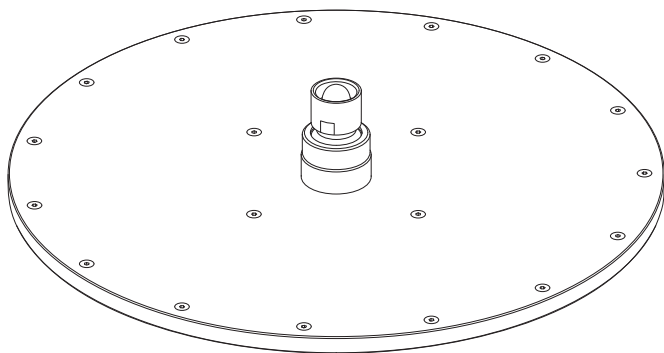
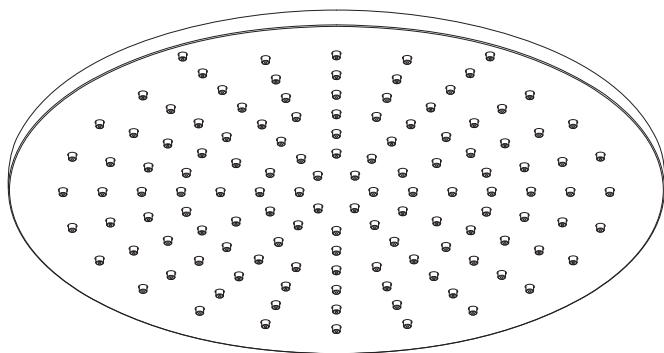




COALBROOK



SHOWER HEAD INSTALLATION

IMPORTANT INFORMATION

Professional installation

We recommend that our products are fitted by a fully qualified professional plumber. They should be installed correctly and in accordance with all local water regulations.

Flushing system

It is most important to flush out all pipework thoroughly before connecting the shower head. Failure to do so is the single most common cause of water restriction.

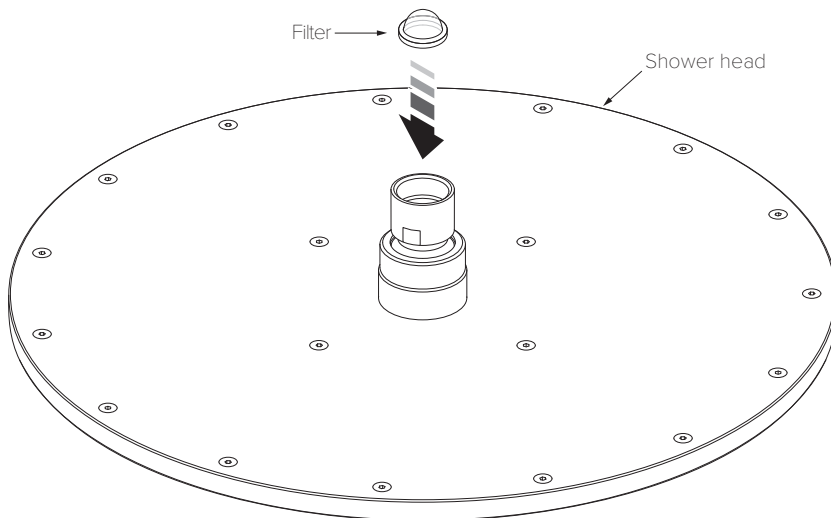
Water quality

In hard water areas, a suitable water treatment system should be provided to prevent limescale deposits (calcium deposits) which may effect the long term performance of the product. Exterior surfaces should be gently wiped with a dry soft cloth after use to minimise water stains and limescale deposits.

It is important that the outlets/holes in the shower head are kept free of limescale. If limescale is allowed to form, it will reduce water flow and can result in damage. We recommend regular cleaning to prevent the formation of limescale.

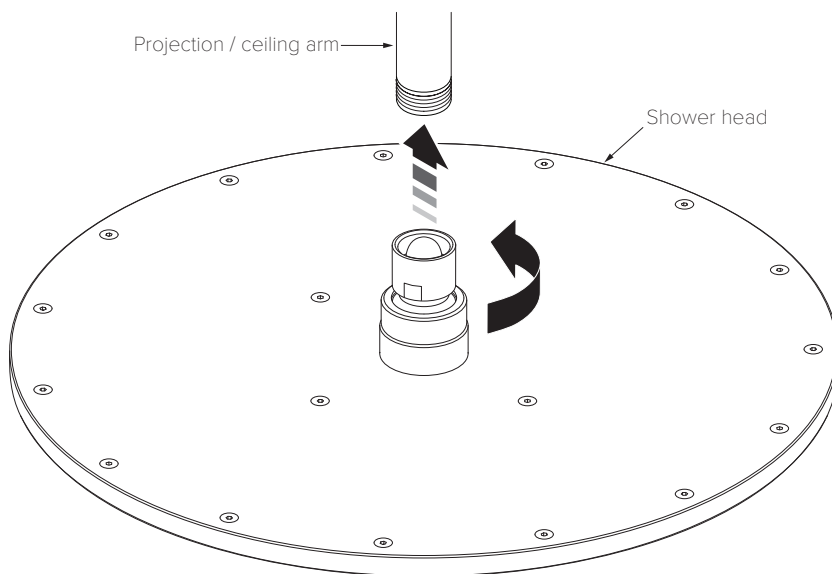
A filter is fitted in the shower head. This is in place to prevent debris from blocking the water outlets. This can be removed for cleaning.

SHOWER HEAD INSTALLATION (STEPS 1)



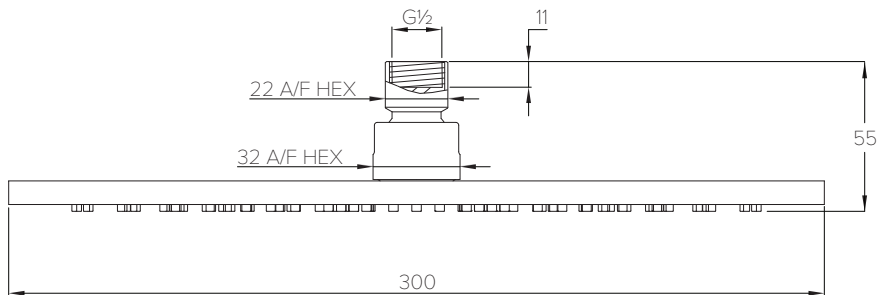
1. After removing the shower head from its packaging, ensure that the filter is inserted into the swivel inlet on top of the shower head. The dome of the filter should face upward.

SHOWER HEAD INSTALLATION (STEP 2)

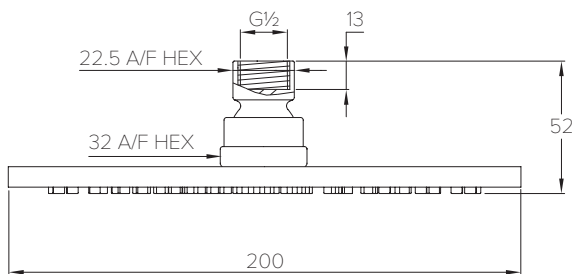


2. Before screwing the shower head onto the shower arm ensure that the pipework has been flushed of debris and that there are no leaks.

SPECIFICATION DIAGRAM (4013) 300mm



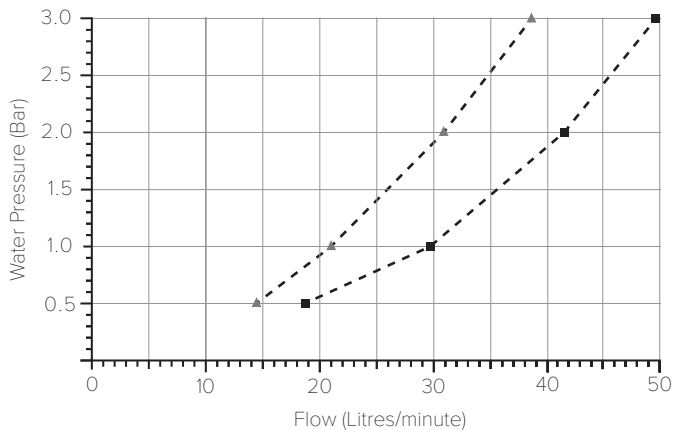
SPECIFICATION DIAGRAM (4014) 200mm



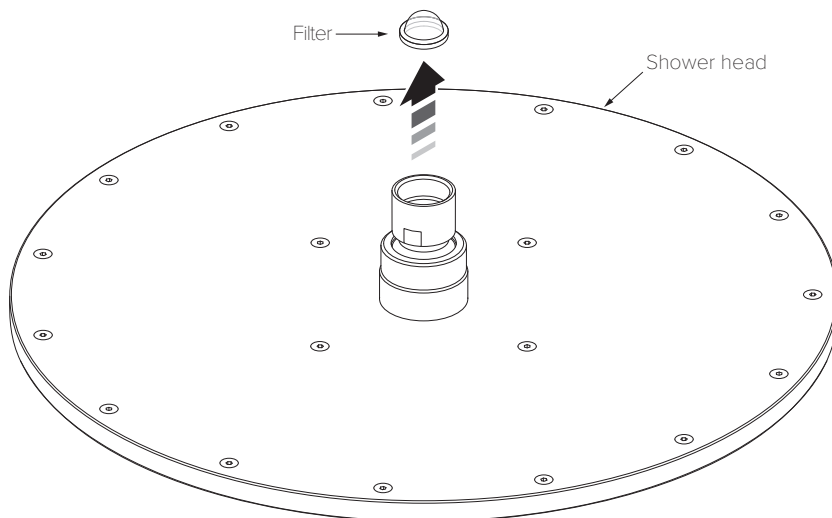
COALBROOK

TYPICAL FLOW RATES (4013) 300mm

Flow rates shown are free-flowing and may vary subject to restrictions created by installation, pipework layout or application



Water Pressure (Bar)	4013 (Litres/minute) ■	4014 (Litres/minute) ▲
0.5	18.7	14.2
1.0	29.9	20.9
2.0	41.7	30.7
3.0	49.6	38.4



1. There is a filter fitted in the inlet of the shower head. If water flow from the shower head has reduced, it may be an indication that the filter requires cleaning.

To do this:

- Unscrew and remove the shower head.
- Remove the filter from the shower head, being careful not to deform/damage the filter.
- Rinse the filter in warm water to remove any blockage.
- Clean the water outlets in the shower head, ensuring that any limescale is removed from the holes.
- Fit the filter ensuring that the dome is facing upward.
- Screw the shower head in place.
- Check for leaks.



COALBROOK

Whilst every effort is made to ensure the accuracy of these, they are subject to change without notice as part of the company's product development process. The use of trademarks, product design and artwork is subject to licence or agreement. The design registrations, trademark registrations and copyrights are protected by law and the use or reproduction outside the terms of an agreement is prohibited.

The right to modify designs and dimensions is reserved. E & O.E.

V1.0125

COALBROOK

www.coalbrookuk.co.uk | info@coalbrookuk.co.uk