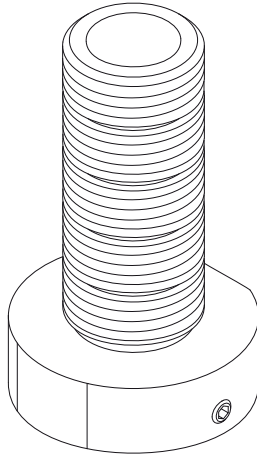




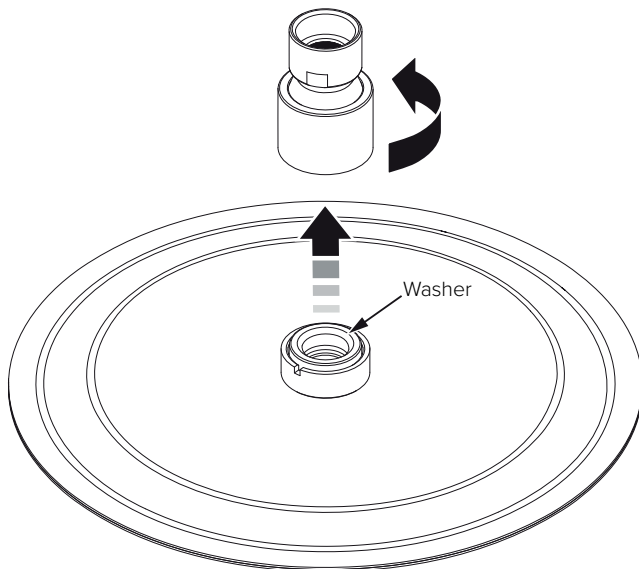
COALBROOK



CONCEALED CEILING BRACKET INSTALLATION

CO4008

CEILING BRACKET INSTALLATION DIAGRAM (STEPS 1 - 2)

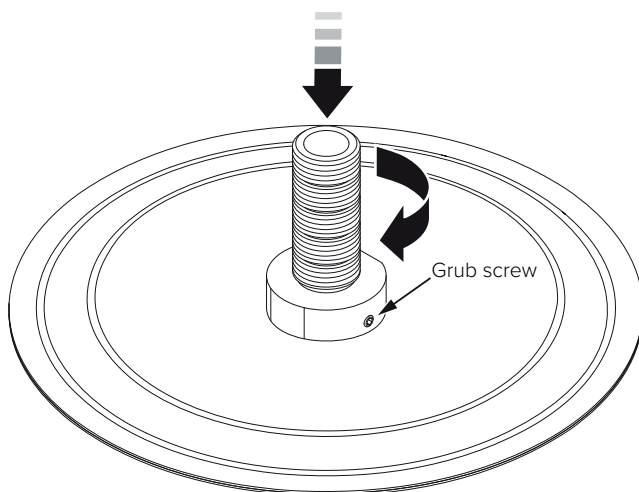


1. Unscrew and remove the swivel adapter from the top of the shower rose. Wearing rubber gloves will aid with grip.
2. There is a washer inside the threaded section on top of the rose. The washer must not be removed.

COALBROOK

www.coalbrookuk.co.uk | info@coalbrookuk.co.uk

CEILING BRACKET INSTALLATION DIAGRAM (STEPS 3-6)

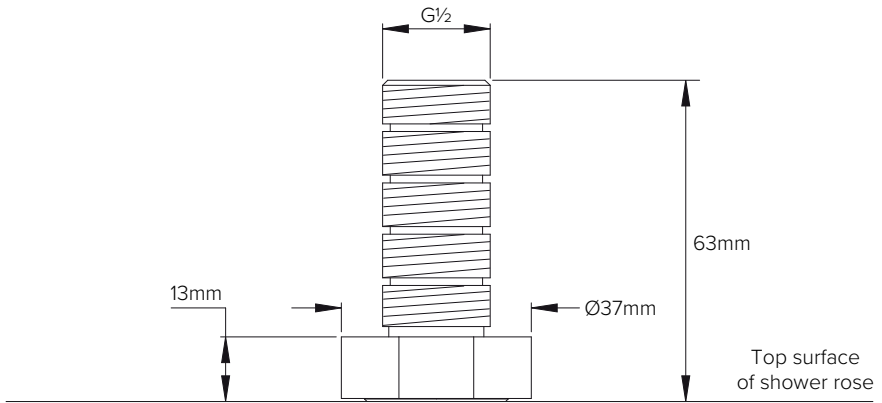


3. The threaded tail of the ceiling bracket can be reduced in length if required. Cut locations are present along the threaded tail. Ensure that the threads are not damaged during cutting.
4. Screw the ceiling bracket along the full length of the threaded section on top of the shower rose.
5. Tighten the grub screw in the side of the ceiling bracket to secure.
6. The assembly can be retained using a G1/2 nut where access permits, or can be screwed into a female G1/2 adapter mounted within the ceiling.

COALBROOK

www.coalbrookuk.co.uk | info@coalbrookuk.co.uk

SPECIFICATION DIAGRAM (mm)



COALBROOK

www.coalbrookuk.co.uk | info@coalbrookuk.co.uk



COALBROOK

Whilst every effort is made to ensure the accuracy of these, they are subject to change without notice as part of the company's product development process. The use of trademarks, product design and artwork is subject to licence or agreement. The design registrations, trademark registrations and copyrights are protected by law and the use or reproduction outside the terms of an agreement is prohibited.

The right to modify designs and dimensions is reserved. E & O.E.

V1.1223

COALBROOK

www.coalbrookuk.co.uk | info@coalbrookuk.co.uk