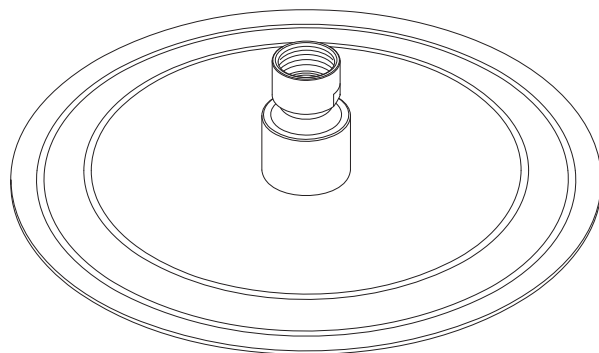
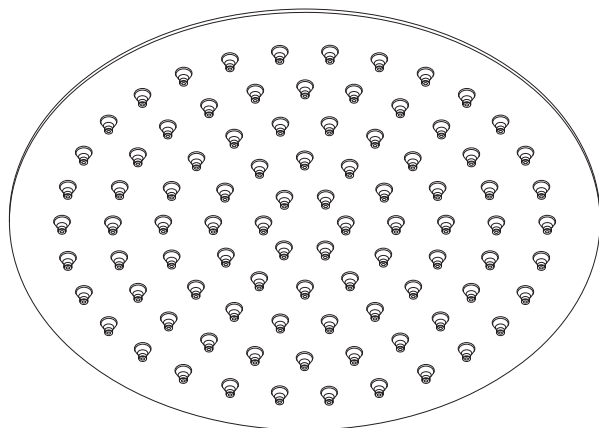




COALBROOK



SHOWER HEAD INSTALLATION

4003 | 4004

IMPORTANT INFORMATION

Professional installation

We recommend that our products are fitted by a fully qualified professional plumber. They should be installed correctly and in accordance with all local water regulations.

Flushing system

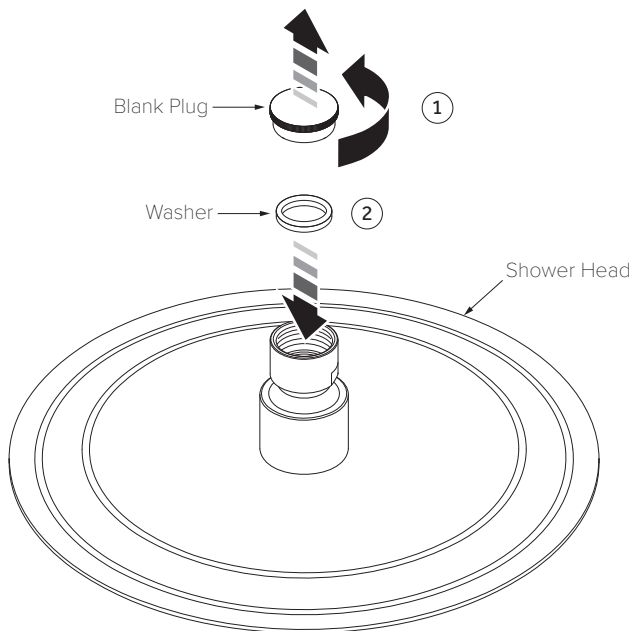
It is most important to flush out all pipework thoroughly before connecting the shower head. Failure to do so is the single most common cause of water restriction.

Water quality

In hard water areas, a suitable water treatment system should be provided to prevent limescale deposits (calcium deposits) which may reduce the long term performance of the product. Exterior surfaces should be gently wiped with a dry soft cloth after use to minimise water stains and limescale deposits.

It is important that the outlets/holes in the shower head are kept free of limescale. If limescale is allowed to form, it will reduce water flow and can result in damage. We recommend regular cleaning to prevent the formation of limescale.

SHOWER HEAD INSTALLATION (STEPS 1 - 2)

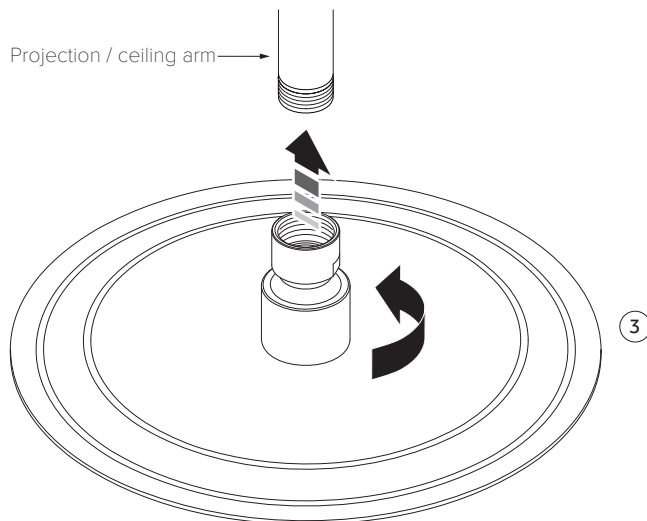


1. After removing the shower head from its packaging, unscrew the blanking plug from the inlet on top of the shower head.
2. Before assembling the shower head to the arm or bracket, ensure that the sealing washer is inserted into the swivel inlet on top of the shower head.

COALBROOK

www.coalbrookuk.co.uk | info@coalbrookuk.co.uk

SHOWER HEAD INSTALLATION (STEP 3)

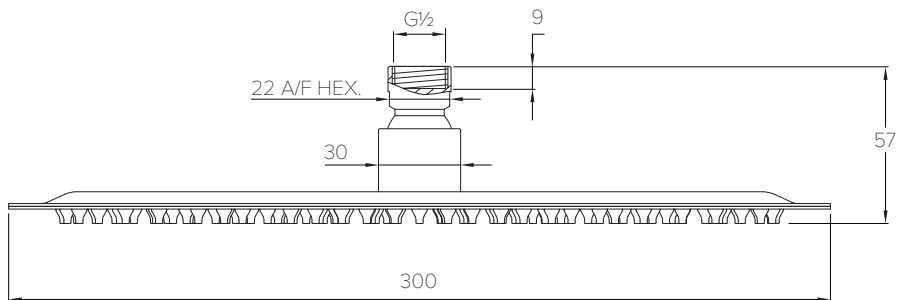


3. Before screwing the shower head onto the shower arm ensure that the pipework has been flushed of debris and that there are no leaks.

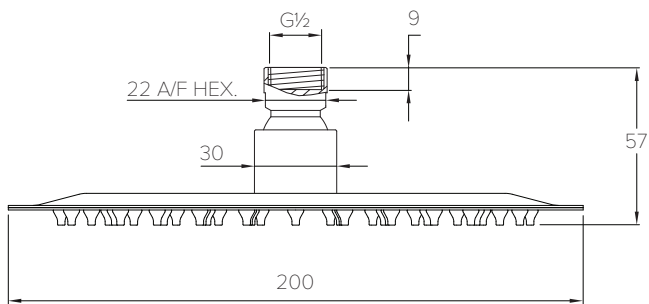
COALBROOK

www.coalbrookuk.co.uk | info@coalbrookuk.co.uk

SPECIFICATION DIAGRAM (4003) 300mm

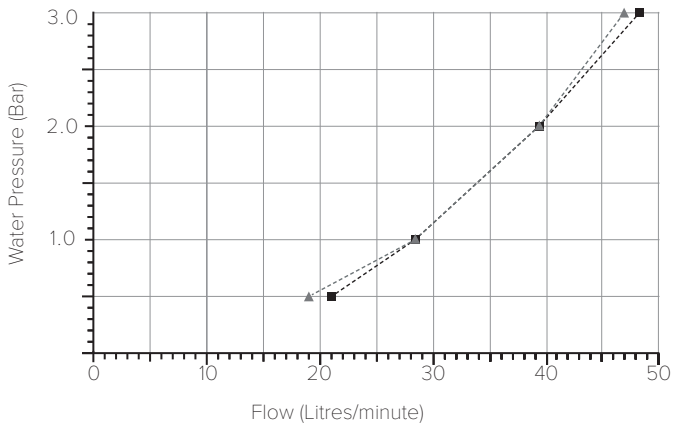


SPECIFICATION DIAGRAM (4004) 200mm



TYPICAL FLOW RATES (4003) 300mm

Flow rates shown are free-flowing and may vary subject to restrictions created by installation, pipework layout or application.



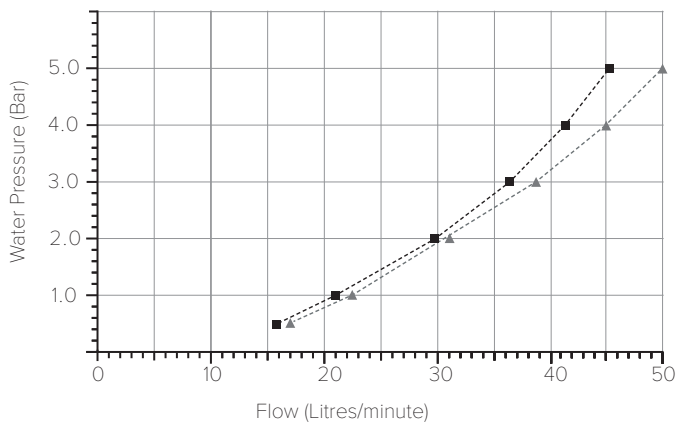
| Water Pressure (Bar) | Ceiling Arm (Litres/minute) | Projection Arm (Litres/minute) |
|----------------------|-----------------------------|--------------------------------|
| 0.5 | 21.0 | 18.9 |
| 1.0 | 28.1 | 28.1 |
| 2.0 | 39.4 | 39.4 |
| 3.0 | 47.6 | 47.6 |

COALBROOK

www.coalbrookuk.co.uk | info@coalbrookuk.co.uk

TYPICAL FLOW RATES (4004) 200mm

Flow rates shown are free-flowing and may vary subject to restrictions created by installation, pipework layout or application.



| Water Pressure (Bar) | Ceiling Arm (Litres/minute) | Projection Arm (Litres/minute) |
|----------------------|-----------------------------|--------------------------------|
| 0.5 | 15.9 | 17.0 |
| 1.0 | 20.9 | 22.4 |
| 2.0 | 29.7 | 31.0 |
| 3.0 | 36.4 | 38.5 |
| 4.0 | 41.5 | 45.0 |
| 5.0 | 45.1 | 50.3 |



COALBROOK

Whilst every effort is made to ensure the accuracy of these, they are subject to change without notice as part of the company's product development process. The use of trademarks, product design and artwork is subject to licence or agreement. The design registrations, trademark registrations and copyrights are protected by law and the use or reproduction outside the terms of an agreement is prohibited.

The right to modify designs and dimensions is reserved. E & O.E.

V3.0125

COALBROOK

www.coalbrookuk.co.uk | info@coalbrookuk.co.uk