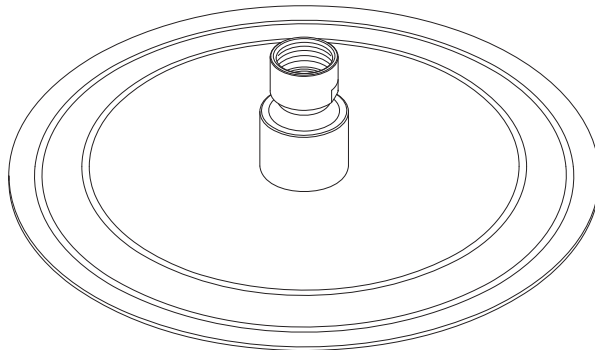
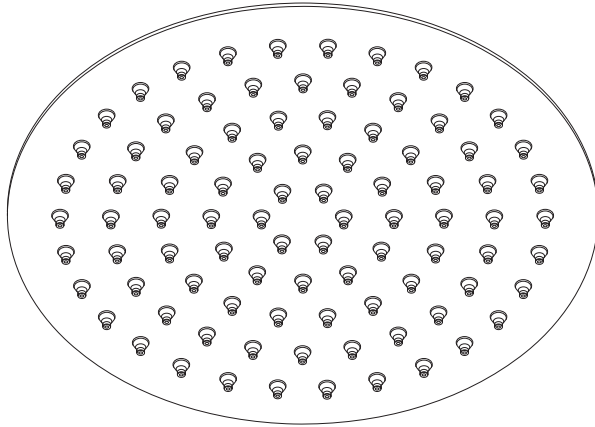




**COALBROOK**

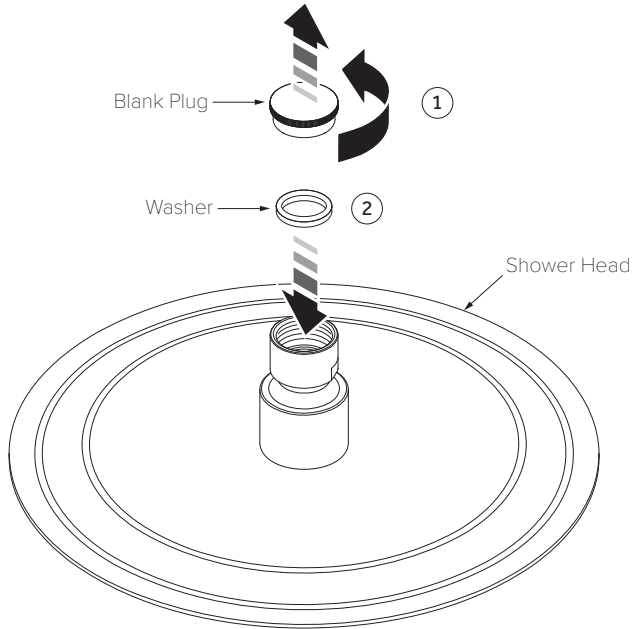


**SHOWER HEAD INSTALLATION**

---

CO4003 | CO4004

## SHOWER HEAD INSTALLATION DIAGRAM (STEPS 1 - 2)

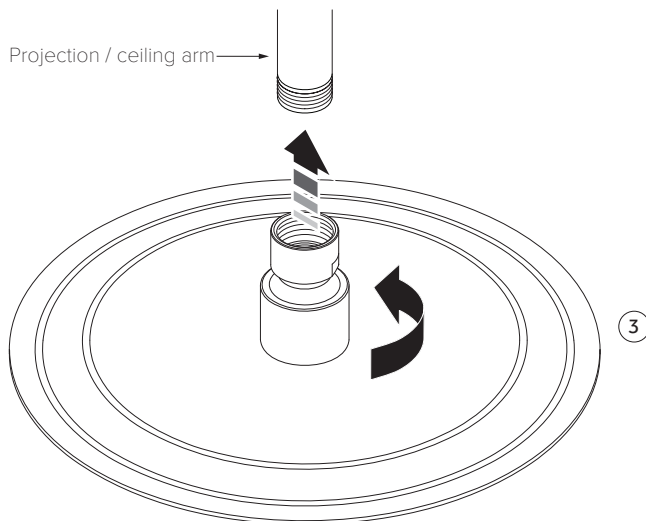


1. After removing the shower head from its packaging, unscrew the blanking plug from the inlet on top of the shower head.
2. Before assembling the shower head to the arm or bracket, ensure that the sealing washer is inserted into the swivel inlet on top of the shower head.

**COALBROOK**

[www.coalbrookuk.co.uk](http://www.coalbrookuk.co.uk) | [info@coalbrookuk.co.uk](mailto:info@coalbrookuk.co.uk)

## SHOWER HEAD INSTALLATION DIAGRAM (STEP 3)

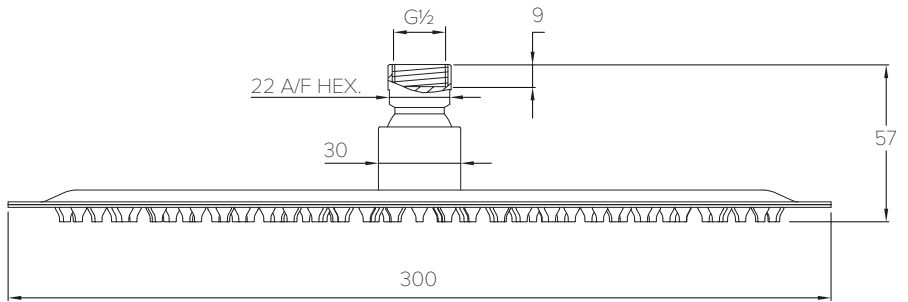


3. Before screwing the shower head onto the shower arm ensure that the pipework has been flushed of debris and that there are no leaks.

**COALBROOK**

[www.coalbrookuk.co.uk](http://www.coalbrookuk.co.uk) | [info@coalbrookuk.co.uk](mailto:info@coalbrookuk.co.uk)

**SPECIFICATION DIAGRAM (CO4003) 300mm**

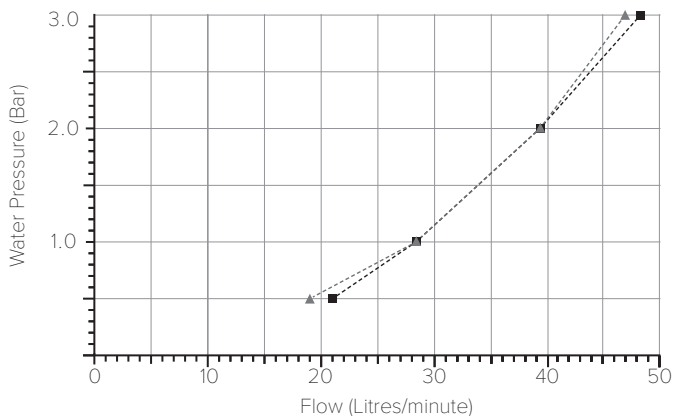


**COALBROOK**

[www.coalbrookuk.co.uk](http://www.coalbrookuk.co.uk) | [info@coalbrookuk.co.uk](mailto:info@coalbrookuk.co.uk)

## TYPICAL FLOW RATES (CO4003) 300mm

Flow rates shown are free-flowing and may vary subject to restrictions created by installation, pipework layout or application. The flow rates below are shown for guidance only.

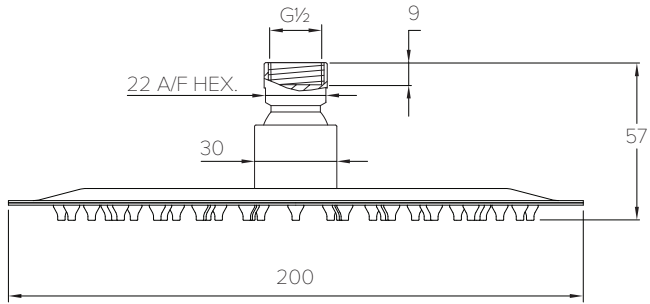


Water Pressure (Bar)	Ceiling Arm (Litres/minute)	Projection Arm (Litres/minute)
0.5	21.0	18.9
1.0	28.1	28.1
2.0	39.4	39.4
3.0	47.6	47.6

**COALBROOK**

[www.coalbrookuk.co.uk](http://www.coalbrookuk.co.uk) | [info@coalbrookuk.co.uk](mailto:info@coalbrookuk.co.uk)

**SPECIFICATION DIAGRAM (CO4004) 200mm**

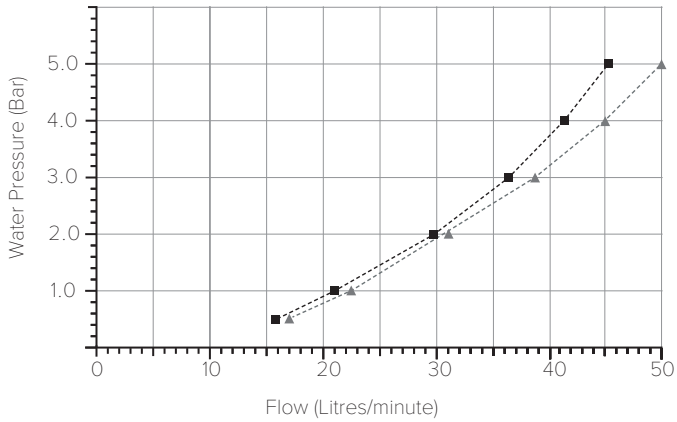


**COALBROOK**

[www.coalbrookuk.co.uk](http://www.coalbrookuk.co.uk) | [info@coalbrookuk.co.uk](mailto:info@coalbrookuk.co.uk)

## TYPICAL FLOW RATES (CO4004) 200mm

Flow rates shown are free-flowing and may vary subject to restrictions created by installation, pipework layout or application. The flow rates below are shown for guidance only.



Water Pressure (Bar)	Ceiling Arm (Litres/minute)	Projection Arm (Litres/minute)
0.5	15.9	17.0
1.0	20.9	22.4
2.0	29.7	31.0
3.0	36.4	38.5
4.0	41.5	45.0
5.0	45.1	50.3

**COALBROOK**

[www.coalbrookuk.co.uk](http://www.coalbrookuk.co.uk) | [info@coalbrookuk.co.uk](mailto:info@coalbrookuk.co.uk)



**COALBROOK**

Whilst every effort is made to ensure the accuracy of these, they are subject to change without notice as part of the company's product development process. The use of trademarks, product design and artwork is subject to licence or agreement. The design registrations, trademark registrations and copyrights are protected by law and the use or reproduction outside the terms of an agreement is prohibited.

The right to modify designs and dimensions is reserved. E & O.E.

V2.0924

**COALBROOK**

[www.coalbrookuk.co.uk](http://www.coalbrookuk.co.uk) | [info@coalbrookuk.co.uk](mailto:info@coalbrookuk.co.uk)