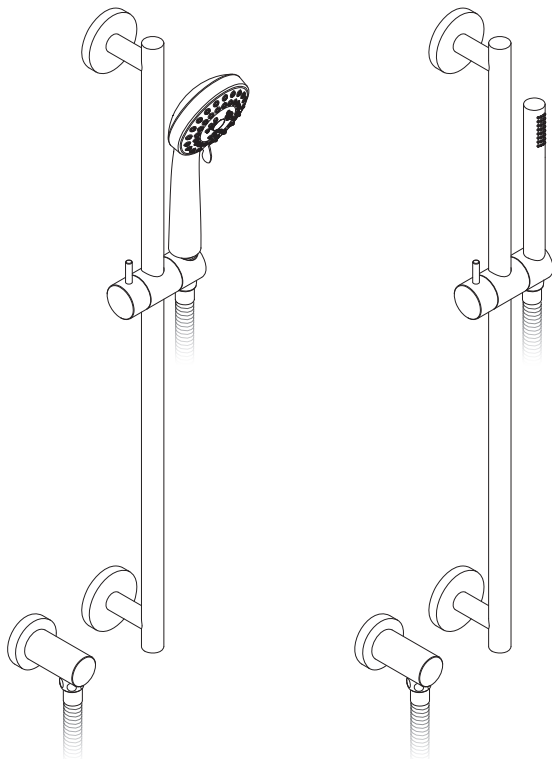




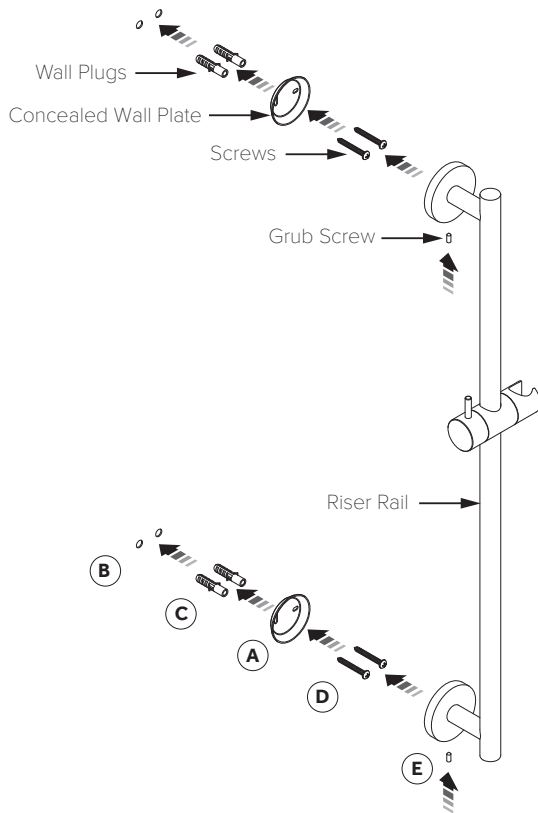
COALBROOK



**RISER RAIL & SHOWER HEAD
INSTALLATION**

CO4002 | CO4012

RISER RAIL INSTALLATION DIAGRAM (STEPS 1 - 4)

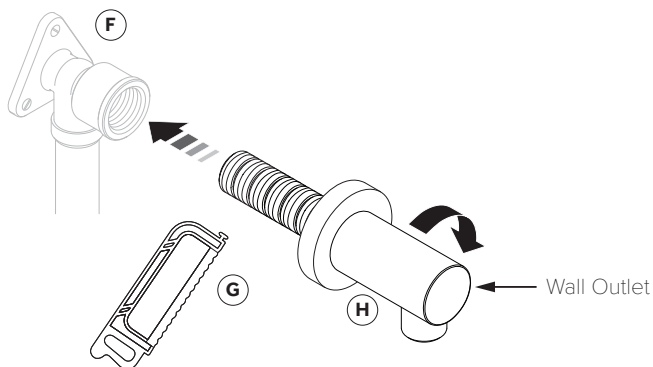


1. Offer the concealed wall plates (A) to the mounting surface and mark the hole positions in accordance with the centres shown on the specification diagram. Use a spirit level to check that the holes are horizontally and vertically aligned.
2. Drill holes (B) using a suitably sized drill bit.
3. Insert the wall plugs (C) into the holes, then secure the concealed wall plates with the screws (D) provided.
4. Locate the riser rail over the concealed wall plates and secure from the underside using grub screws (E) provided.

COALBROOK

www.coalbrookuk.co.uk | info@coalbrookuk.co.uk

WALL OUTLET INSTALLATION DIAGRAM (STEPS 5 - 9)

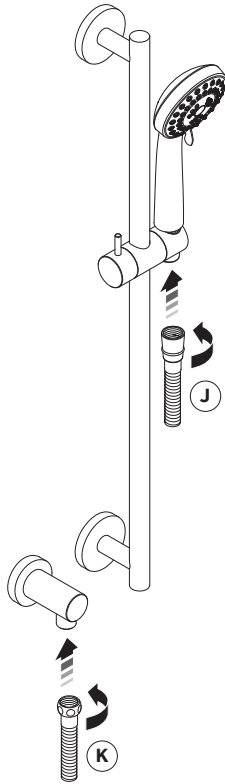


5. The wall outlet requires a recessed 1/2" BSP female connector (F) in place.
6. Measure the depth required for the wall plate to finish flush with the mating wall surface. Cut the threaded tail to the required length (G).
7. Apply a suitable sealant or sealing tape to the threaded tail.
9. Screw the wall outlet (H) into the female connector. Ensure that the threaded hose connector is facing downward.

COALBROOK

www.coalbrookuk.co.uk | info@coalbrookuk.co.uk

HOSE & SHOWER HEAD INSTALLATION DIAGRAM (STEPS 10 - 12)

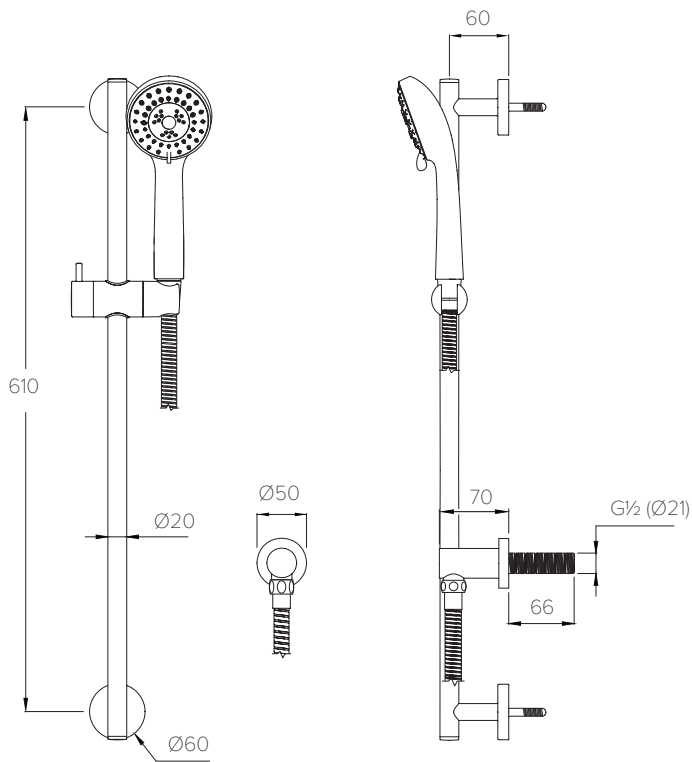


10. Screw the conical end of the provided shower hose on to the threaded end of the shower head (J).
11. Screw the hexagonal end of the shower hose on to the threaded section of the wall outlet (K).
12. Locate the shower head in to the riser cradle.

COALBROOK

www.coalbrookuk.co.uk | info@coalbrookuk.co.uk

SPECIFICATION DIAGRAM (MM)

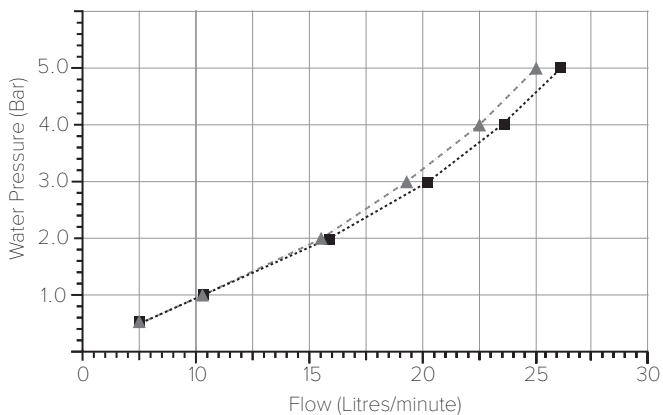


COALBROOK

www.coalbrookuk.co.uk | info@coalbrookuk.co.uk

TYPICAL FLOW RATES

Flow rates shown are free-flowing and may vary subject to restrictions created by installation, pipework layout or application



| Water Pressure (Bar) | 4002 (Litres/minute) | 4012 (Litres/minute) |
|-------------------------|-------------------------|-------------------------|
| | ■ | ▲ |
| 0.5 | 7.5 | 7.5 |
| 1.0 | 10.6 | 10.5 |
| 2.0 | 15.8 | 15.5 |
| 3.0 | 20.2 | 19.3 |
| 4.0 | 23.5 | 22.5 |
| 5.0 | 26.3 | 25.3 |

COALBROOK

www.coalbrookuk.co.uk | info@coalbrookuk.co.uk



COALBROOK

Whilst every effort is made to ensure the accuracy of these, they are subject to change without notice as part of the company's product development process. The use of trademarks, product design and artwork is subject to licence or agreement. The design registrations, trademark registrations and copyrights are protected by law and the use or reproduction outside the terms of an agreement is prohibited.

The right to modify designs and dimensions is reserved. E & O.E.

V3.0324

COALBROOK

www.coalbrookuk.co.uk | info@coalbrookuk.co.uk