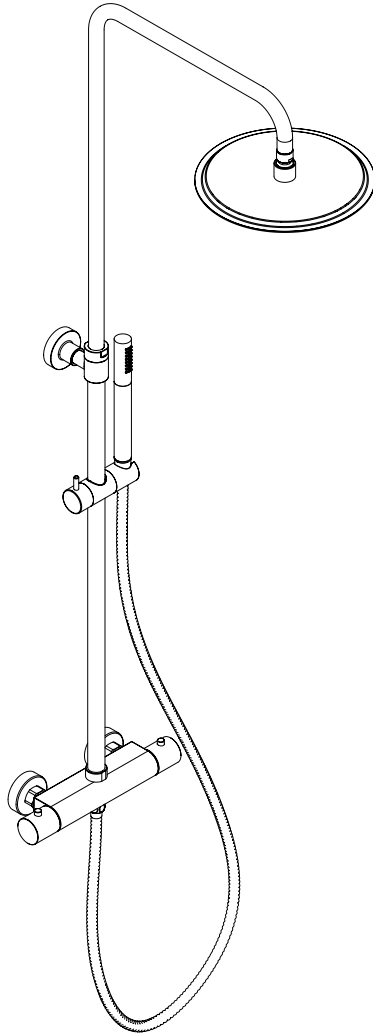


**COALBROOK**

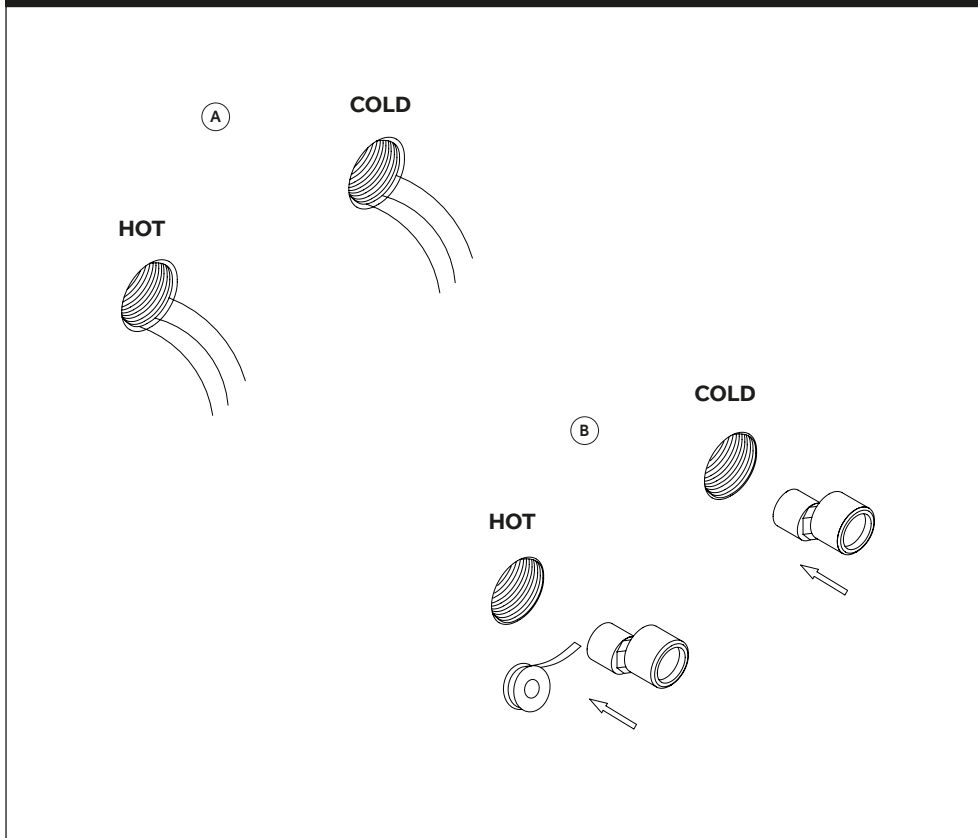


**SHOWER SYSTEM INSTALLATION**

---

CO3000

## S-CONNECTOR INSTALLATION DIAGRAM (STEPS 1 - 2)

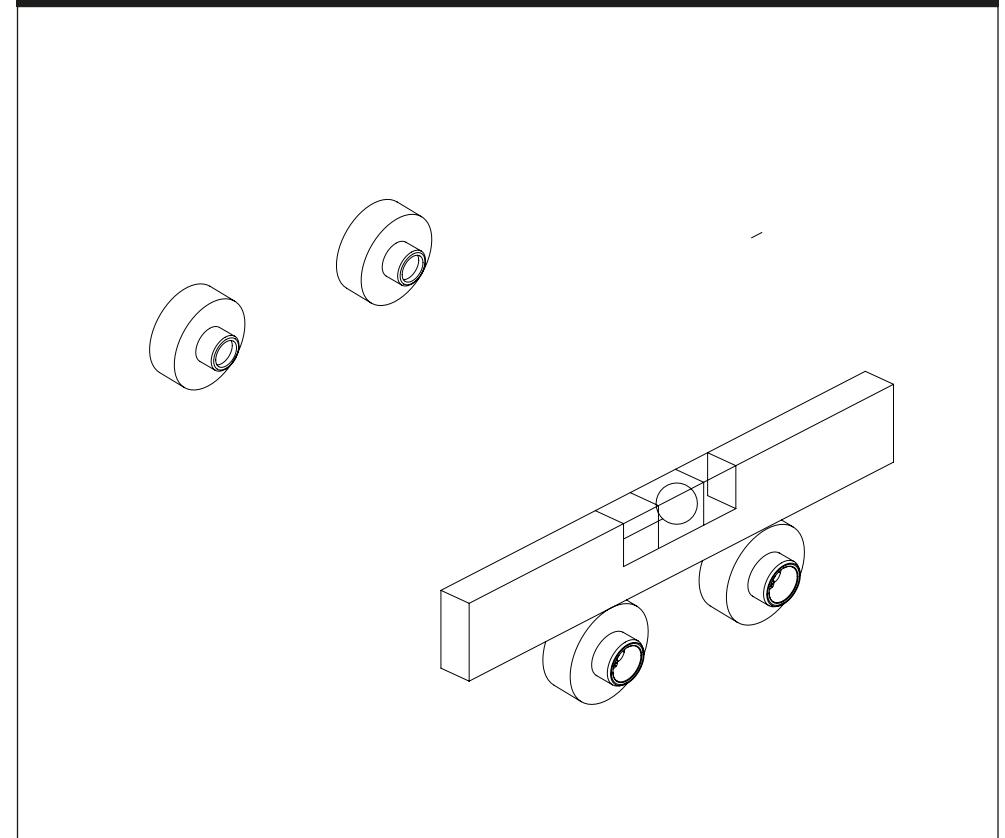


1. Position backplate elbows in the wall at 150mm centres. S-unions allow adjustment from 130 – 170mm. See diagram on page 8 to determine required height.
2. Rinse debris from pipes (A).
3. Wrap the G½ thread of the S-connector by PTFE tape, insert the S-connector into the hole in clockwise direction (B).

**COALBROOK**

[www.coalbrookuk.co.uk](http://www.coalbrookuk.co.uk) | [info@coalbrookuk.co.uk](mailto:info@coalbrookuk.co.uk)

## S-CONNECTOR INSTALLATION DIAGRAM (STEPS 3 - 4)

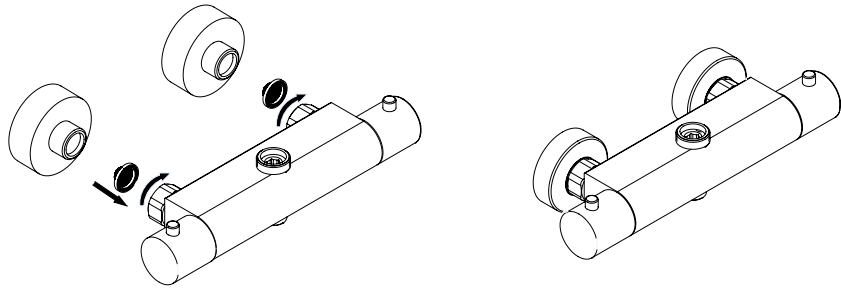


3. Install the wall flange to the S-connector in a clockwise direction.
4. Use the spirit level to make sure that it is horizontally level.

**COALBROOK**

[www.coalbrookuk.co.uk](http://www.coalbrookuk.co.uk) | [info@coalbrookuk.co.uk](mailto:info@coalbrookuk.co.uk)

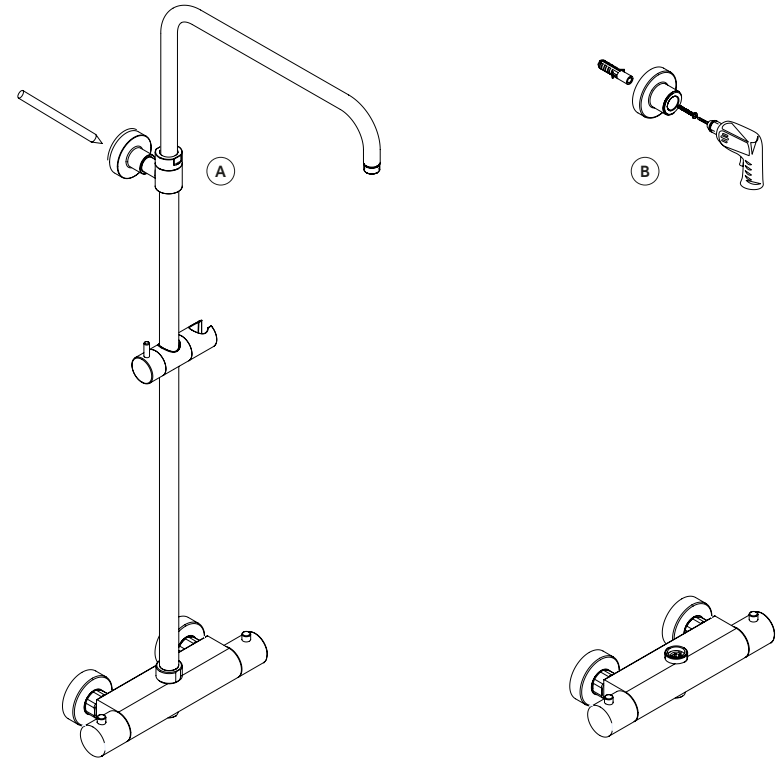
### MIXER INSTALLATION DIAGRAM (STEPS 5-6)



5. Insert the filter washer (filter net face outside) to the hexagonal nut, then install the mixer to the S-connector.

6. Finish the installation of the mixer.

### THERMOSTATIC CONTROL INSTALLATION DIAGRAM (STEPS 7 - 8)



7. Offer the arm to the wall, marking where the flange sits (A).

8. Install the wall flange (B).

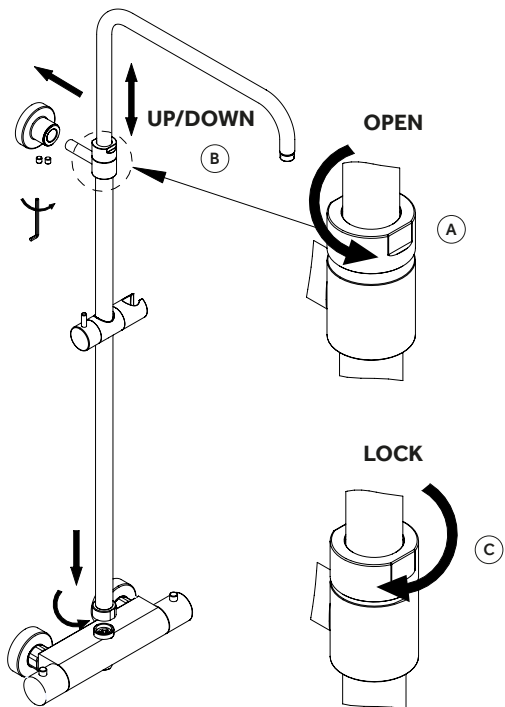
**COALBROOK**

[www.coalbrookuk.co.uk](http://www.coalbrookuk.co.uk) | [info@coalbrookuk.co.uk](mailto:info@coalbrookuk.co.uk)

**COALBROOK**

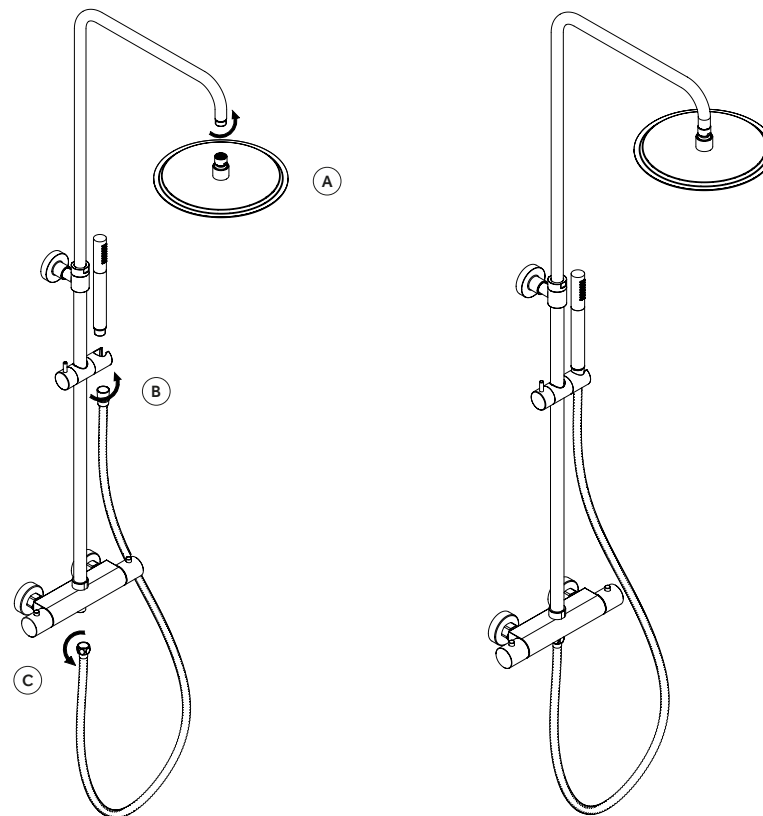
[www.coalbrookuk.co.uk](http://www.coalbrookuk.co.uk) | [info@coalbrookuk.co.uk](mailto:info@coalbrookuk.co.uk)

### SLIDE BAR CONNECTION INSTALLATION DIAGRAM (STEP 9)



9. Connect the slide bar to the mixer. Fix the slide bar to the wall flange. Increase or decrease the arm height by rotating the retaining nut anticlockwise (A), moving the main shaft as desired and then locking it into place by rotating the retaining nut clockwise (C).

### FINAL SHOWER INSTALLATION DIAGRAM (STEP 10)



10. Install the shower head (A) to the slide bar, then install the hand shower (B) and shower hose (C) to the mixer as shown.

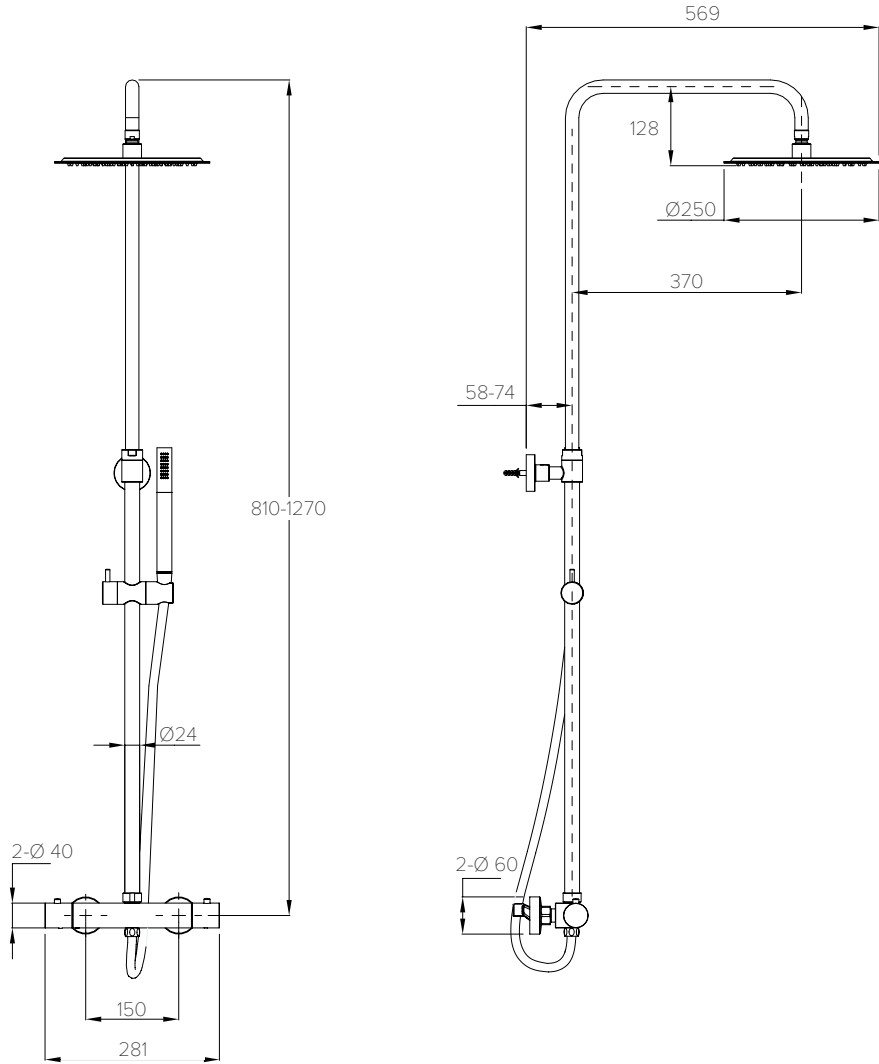
**COALBROOK**

[www.coalbrookuk.co.uk](http://www.coalbrookuk.co.uk) | [info@coalbrookuk.co.uk](mailto:info@coalbrookuk.co.uk)

**COALBROOK**

[www.coalbrookuk.co.uk](http://www.coalbrookuk.co.uk) | [info@coalbrookuk.co.uk](mailto:info@coalbrookuk.co.uk)

**SPECIFICATION DIAGRAM (mm)**

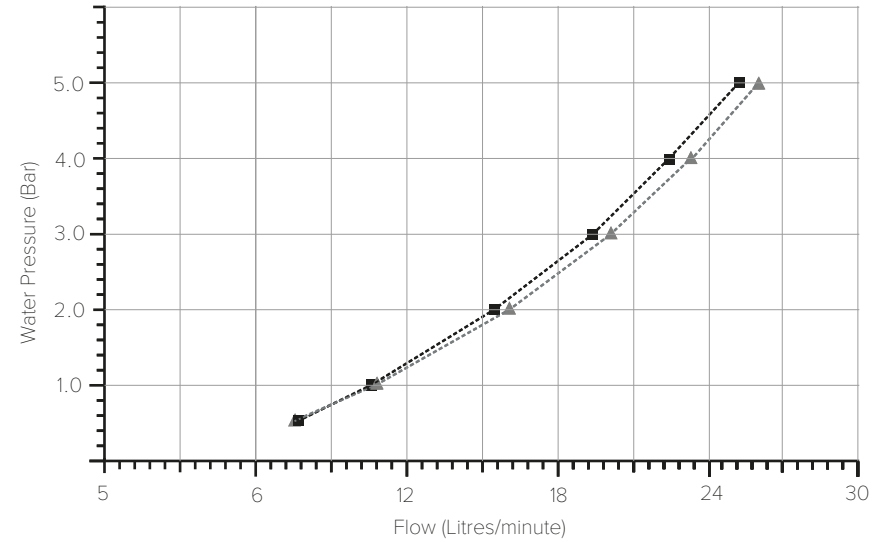


**COALBROOK**

www.coalbrookuk.co.uk | info@coalbrookuk.co.uk

**TYPICAL FLOW RATES**

Flow rates shown are free-flowing and may vary subject to restrictions created by installation, pipework layout or application.



| Water Pressure (Bar) | Outlet (Litres/minute) ▲ | Hand Shower (Litres/minute) ■ |
|----------------------|--------------------------|-------------------------------|
| 0.5                  | 7.3                      | 7.5                           |
| 1.0                  | 10.7                     | 10.5                          |
| 2.0                  | 16.0                     | 15.5                          |
| 3.0                  | 19.9                     | 19.3                          |
| 4.0                  | 23.3                     | 22.6                          |
| 5.0                  | 26.1                     | 25.3                          |

**COALBROOK**

www.coalbrookuk.co.uk | info@coalbrookuk.co.uk

NOTES

NOTES

**COALBROOK**

[www.coalbrookuk.co.uk](http://www.coalbrookuk.co.uk) | [info@coalbrookuk.co.uk](mailto:info@coalbrookuk.co.uk)

**COALBROOK**

[www.coalbrookuk.co.uk](http://www.coalbrookuk.co.uk) | [info@coalbrookuk.co.uk](mailto:info@coalbrookuk.co.uk)



**COALBROOK**

Whilst every effort is made to ensure the accuracy of these, they are subject to change without notice as part of the company's product development process. The use of trademarks, product design and artwork is subject to licence or agreement. The design registrations, trademark registrations and copyrights are protected by law and the use or reproduction outside the terms of an agreement is prohibited.

The right to modify designs and dimensions is reserved. E & O.E.

**COALBROOK**

[www.coalbrookuk.co.uk](http://www.coalbrookuk.co.uk) | [info@coalbrookuk.co.uk](mailto:info@coalbrookuk.co.uk)