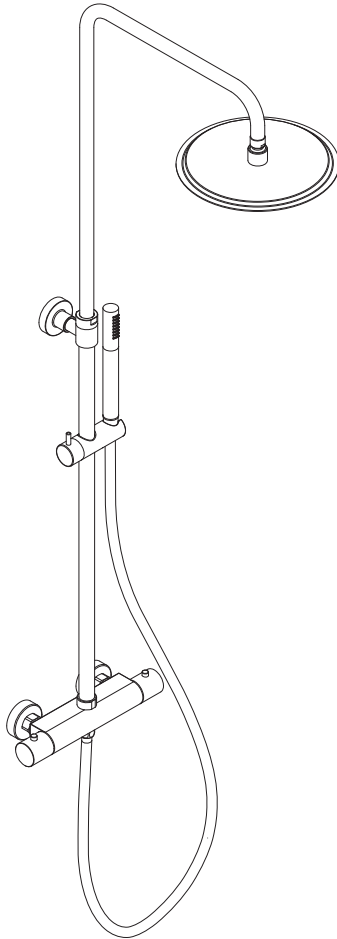




COALBROOK



**MULTIFUNCTION SHOWER BAR MIXER SYSTEM
WITH 250MM FIXED HEAD & SLIDE RAIL
INSTALLATION**

IMPORTANT INFORMATION

Professional installation

We recommend that our products are fitted by a fully qualified professional plumber. They should be installed correctly and in accordance with all local water regulations. Connections should be accessible for routine servicing.

Non-return valves

To protect your water system, non-return valves are fitted. These can be removed and cleaned if required.

Suits all systems

This Coalbrook product is potentially suitable for every possible application, type of boiler and water supply pressure. However, if your supply pressure is below 1 bar it is advisable to fit a water pump. For systems with combination boilers, it is not advisable to fit pumps (refer to boiler manufacturer).

Flushing system

It is most important to flush out all pipework thoroughly before connecting the product. Failure to do so is the single most common cause of cartridge failure and flow restriction.

Supply connections

The hot water supply must be connected to the left inlet, and cold water to the right inlet, as viewed from the front.

Balancing flow

If a significant pressure difference exists between the hot and cold supplies, we advise fitting a flow regulator (not supplied) to the higher or both supplies.

Water quality

In hard water areas, a suitable water treatment system should be provided to prevent limescale (calcium) deposits which may effect the long term performance of the cartridges. Exterior surfaces should be gently wiped with a dry soft cloth after use to minimise water stains and limescale deposits.

It is important that the outlets/holes in the shower head and handspray are kept free of limescale. If limescale is allowed to form, it will reduce water flow and can result in damage. We recommend regular cleaning to prevent the formation of limescale.

Recommended supply temperatures

HOT - 55/60°C

COLD - 10/15°C

Temperature setting

Once the installation has been completed the 'safe water temperature' must be checked and set. The valve is factory set, but the working temperature may differ subject to the hot & cold water temperatures being supplied to the valve.

Setting the 'safe water temperature'

To avoid damage, when setting the 'safe water temperature', the thermostatic cartridge spindle must be turned by hand only. The spindle will require only minor adjustment. **Turning the spindle to the end of its travel and forcing it beyond this point will cause internal damage to the thermostatic cartridge.**

Always fit the plastic 'temperature stop' before fitting the thermostatic control handle. One of the functions of the temperature stop is to prevent the thermostatic cartridge spindle being turned beyond the end of its travel. **Not fitting the temperature stop will result in damage to the thermostatic cartridge.**

Duty of care

Legislation

Legislation dictates recommendations and guidelines on health and safety, including safe hot water temperatures. The emphasis is on regulatory and design criteria, with responsibility for meeting such guidelines being that of a suitably appointed responsible person.

How hot water temperatures affect the skin

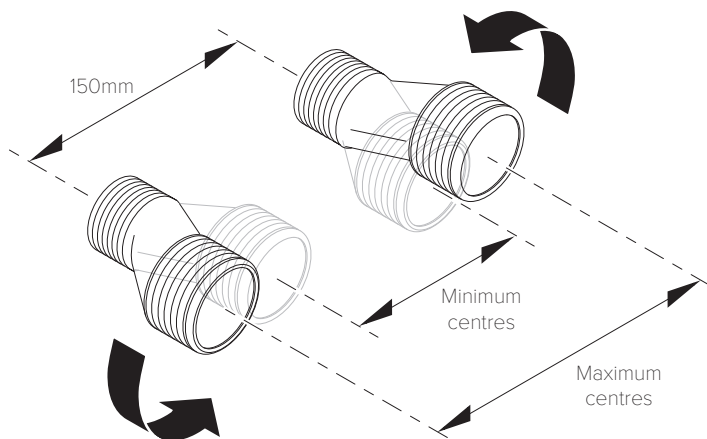
- 65°C – A partial thickness burn in about 2 seconds
- 60°C – A partial thickness burn in about 5 seconds
- 55°C – A partial thickness burn in about 15 seconds
- 50°C – A partial thickness burn in about 90 seconds

Safe water temperature

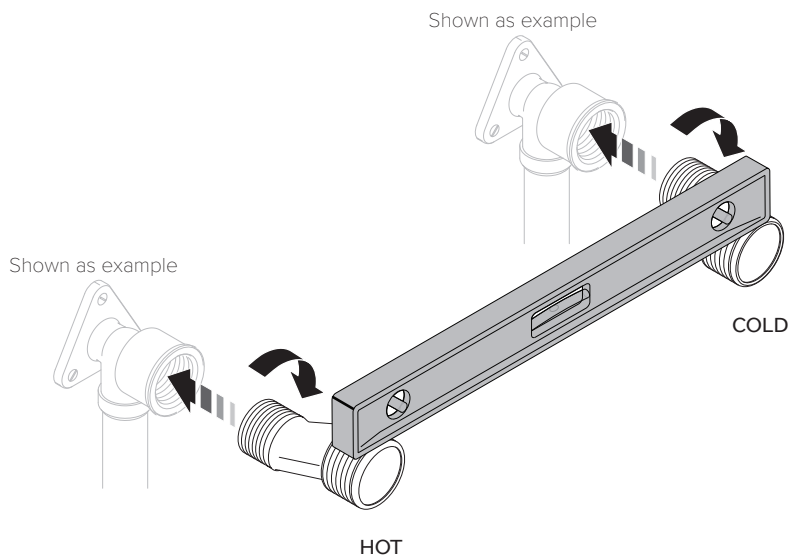
The age, mental and physical capabilities of persons occupying the property will effect the 'safe water temperature' setting of the thermostatic valve. For specific details please refer to local building regulations, current legislation, relevant standards and codes of practice.

ORIENTATION OF ECCENTRIC WALL CONNECTORS

The eccentric wall connectors can be rotated to increase and decrease centre point distances.



INSTALLATION OF ECCENTRIC WALL CONNECTORS

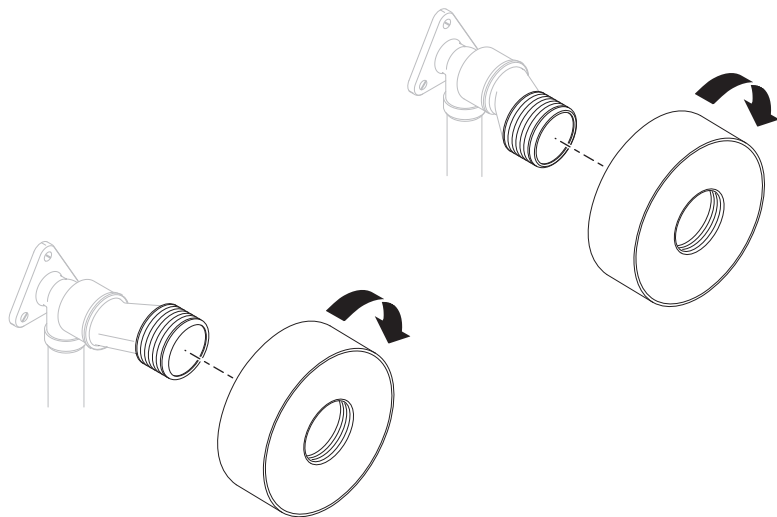


1. Ensure that the pipework has been flushed of debris before fitting the eccentric connectors.
2. Apply suitable sealing compound/tape then screw the eccentric connectors into the female wall connectors.
3. Use a spirit level to ensure the eccentric wall connectors are horizontal.

COALBROOK

www.coalbrookuk.co.uk | info@coalbrookuk.co.uk

INSTALLATION OF WALL FLANGES

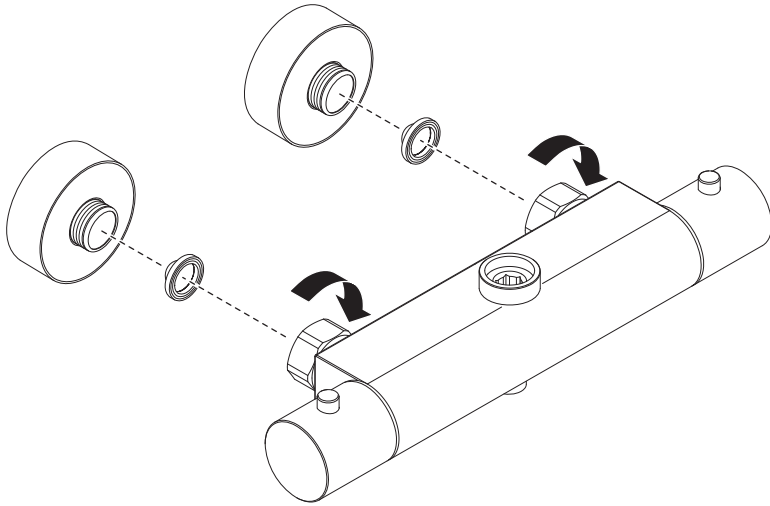


1. Screw the wall flanges onto the eccentric connectors.

COALBROOK

www.coalbrookuk.co.uk | info@coalbrookuk.co.uk

INSTALLATION OF SHOWER BODY

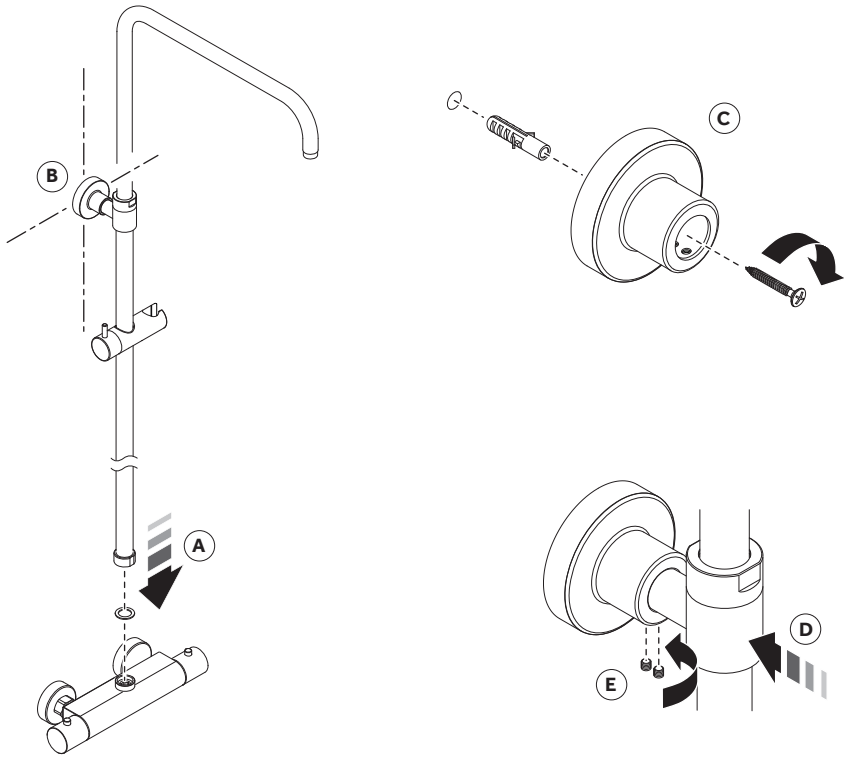


1. Locate the filter assemblies into the rear outlets of the shower body. The dome of the filters should face the wall.
2. Offer the shower body onto the threads protruding from the wall flanges. Tighten the nuts to secure. Ensure that the jaws of the spanner are wrapped with suitable material such as tape to prevent damage to the nuts.

COALBROOK

www.coalbrookuk.co.uk | info@coalbrookuk.co.uk

INSTALLATION OF WALL BRACKET

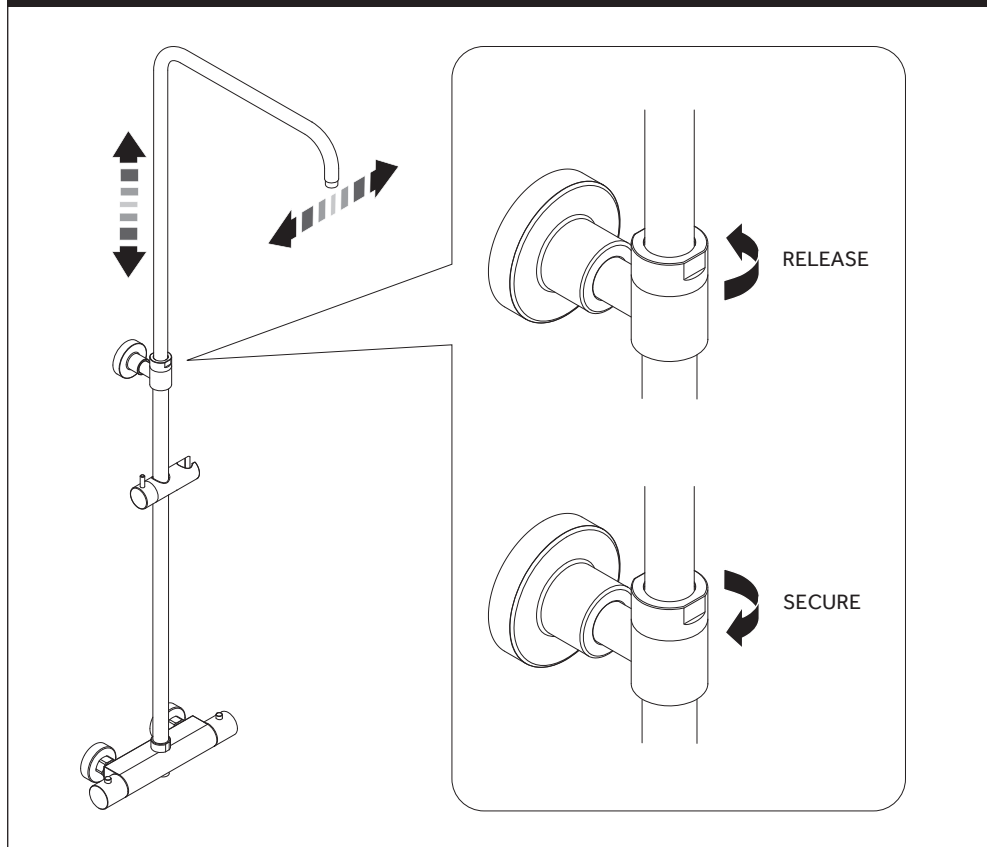


1. Locate the base of the shower slide rail onto the shower body, ensuring that the washer is in place (A). The nut can be tightened by hand as a temporary restraint.
2. Use a spirit level to ensure the slide rail is vertical, then mark the centre lines of the support bracket (B).
3. Remove the slide rail and mark the hole location. Before drilling, a check for hidden pipes should be conducted. Drill the mounting surface using a suitable drill bit for the required fixings.
4. Fit a wall plug into the hole, then locate the support bracket and secure in place using the chosen fixings (C).
5. Locate the base of the slide rail onto the shower body, ensuring that the washer is in place (A). Locate the slide rail support bar in to the support bracket (D), then tighten the two grub screws using a suitable hexagonal key to secure (E).
6. Tighten the nut at the base of the slide rail to secure.

COALBROOK

www.coalbrookuk.co.uk | info@coalbrookuk.co.uk

SLIDE RAIL HEIGHT & ORIENTATION ADJUSTMENT

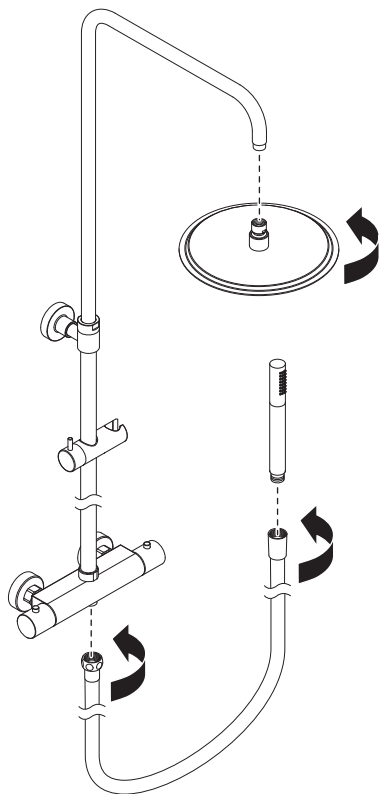


1. To make adjustment to the height or orientation of the slide rail, release the lock nut on top of the support by rotating it as shown above. Ensure that the jaws of the spanner are wrapped with suitable material such as tape to prevent damage to the nuts. The slide rail can be adjusted to the height shown in the specification diagram or rotated to align the upper arm.
2. With the slide rail adjusted, rotate and tighten the lock nut as shown above to secure.

COALBROOK

www.coalbrookuk.co.uk | info@coalbrookuk.co.uk

INSTALLATION OF SHOWER HEAD, HANDSPRAY & HOSE

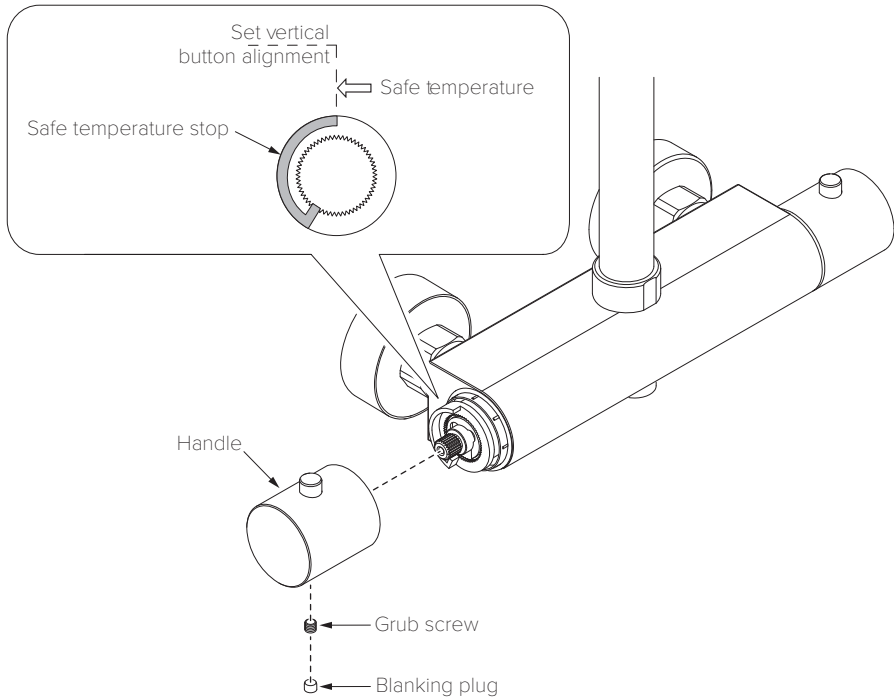


1. Screw the shower head in place.
2. Screw the conical end of the hose onto the handspray. Locate the handspray in the holster.
3. Screw the nut end of the hose onto the outlet on the underside of the shower body.
4. Operate the shower and check for leaks.

COALBROOK

www.coalbrookuk.co.uk | info@coalbrookuk.co.uk

'SAFE WATER TEMPERATURE' SETTING

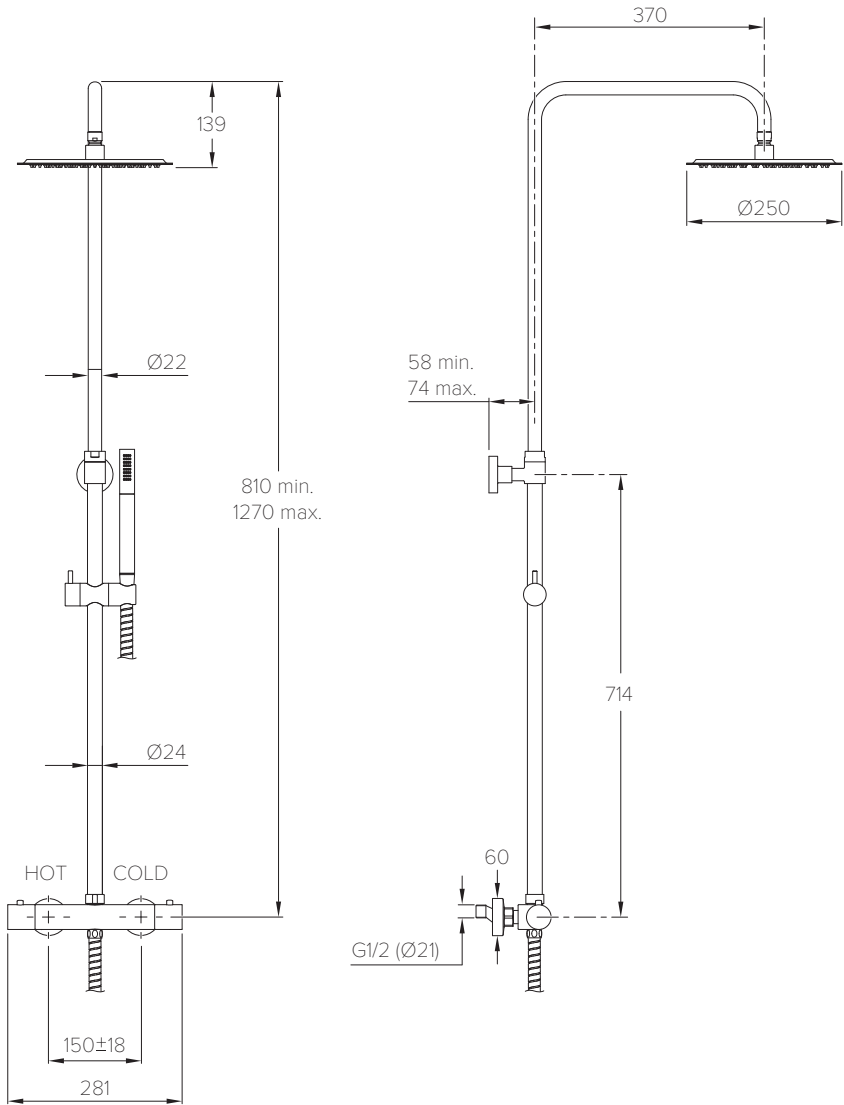


1. The shower body is factory set to give a 'safe water temperature' of 38°C. This temperature can be increased by depressing the button on top of the handle and rotating the handle. It is important to return the handle to its 'safe water temperature' after use and before others use the shower.
2. To adjust the 'safe water temperature' remove the blanking plug from the underside of the handle, then unscrew and remove the grub screw using a suitable hexagonal key.
3. Gently pull the handle clear of the shower body and remove the temperature stop.
4. Operate the shower and monitor the water temperature using a digital thermometer. Gently rotate the splines of the thermostatic cartridge by hand until the desired temperature is achieved.
5. Replace the temperature stop as shown above. Fit the handle with the button on top. Secure using the grub screw and a suitable hexagonal key. Replace the blanking plug. Operate the shower and check the temperatures obtained are as required.

COALBROOK

www.coalbrookuk.co.uk | info@coalbrookuk.co.uk

SPECIFICATION DIAGRAM (mm)

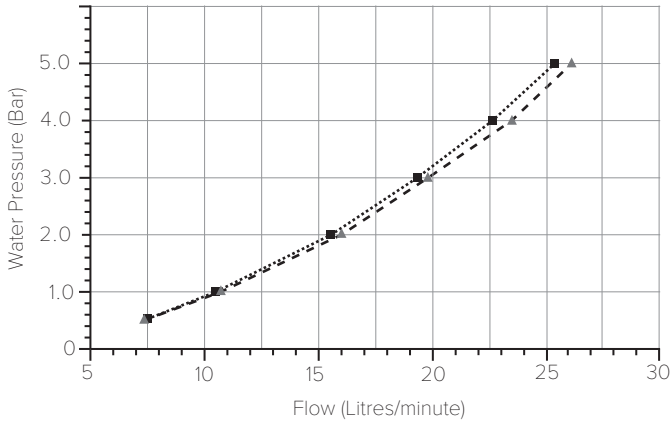


COALBROOK

www.coalbrookuk.co.uk | info@coalbrookuk.co.uk

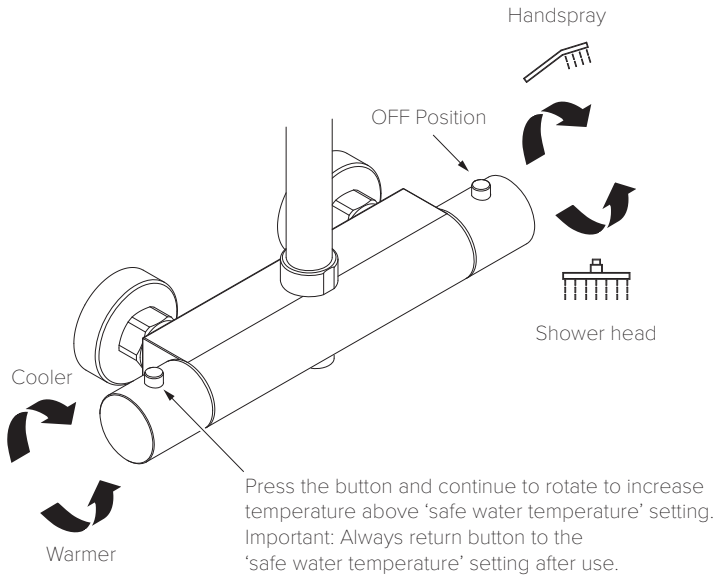
TYPICAL FLOW RATES

Flow rates shown are free-flowing and may vary subject to restrictions created by installation, pipework layout or application



Water Pressure (Bar)	Shower rose (Litres/minute) ■	Hand shower (Litres/minute) ▲
0.5	7.3	7.5
1.0	10.7	10.5
2.0	16.0	15.5
3.0	19.9	19.3
4.0	23.3	22.6
5.0	26.1	25.3

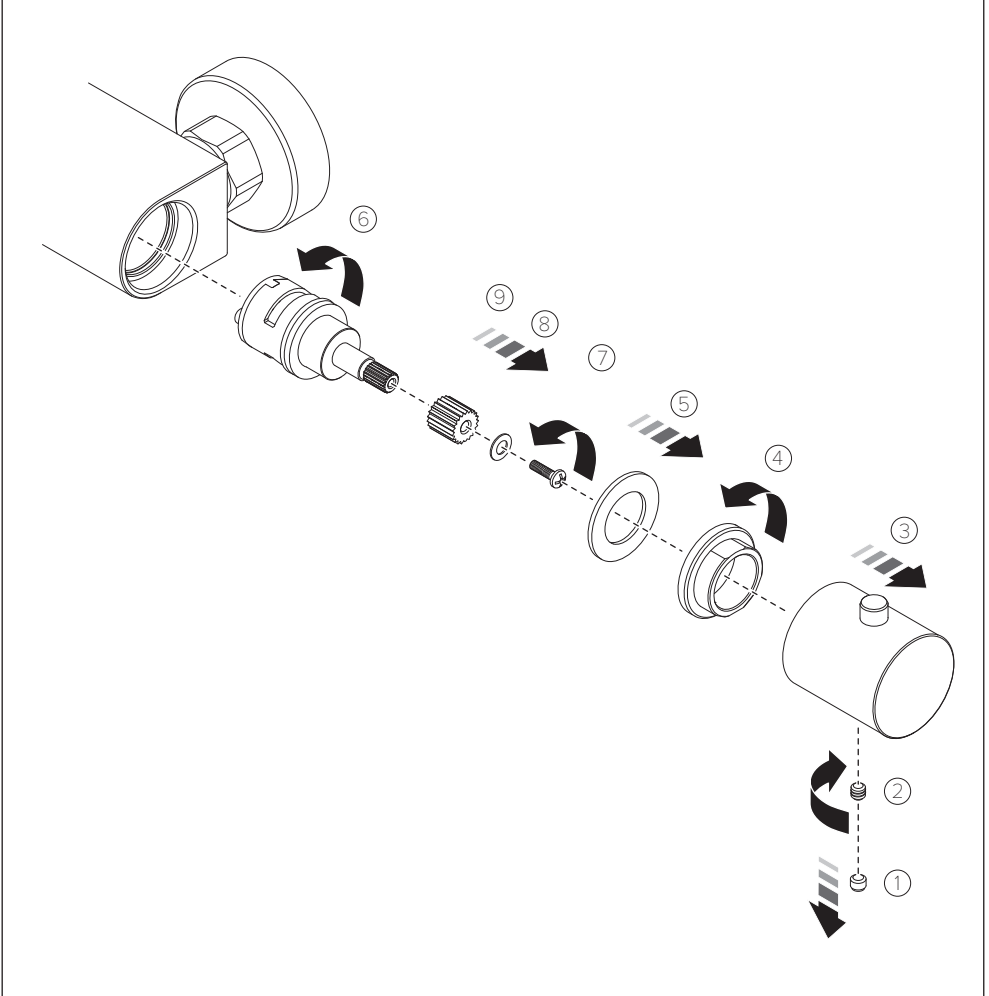
OPERATING THE SHOWER



COALBROOK

www.coalbrookuk.co.uk | info@coalbrookuk.co.uk

SERVICING – DIVERTER CARTRIDGE REMOVAL

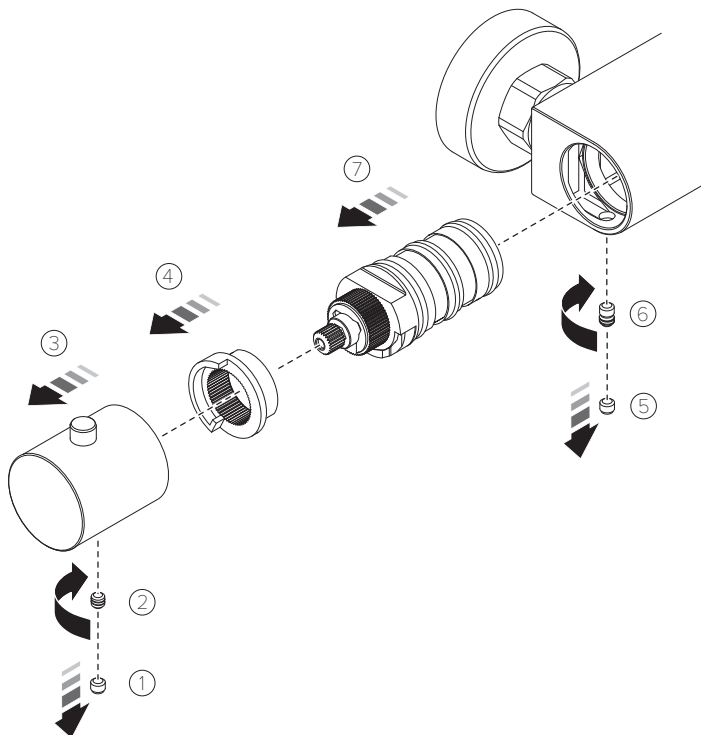


1. The diverter cartridge can be removed for replacement or cleaning.
2. Isolate the hot and cold mains water supplies before the shower valve.
3. Follow the above steps for removal.

COALBROOK

www.coalbrookuk.co.uk | info@coalbrookuk.co.uk

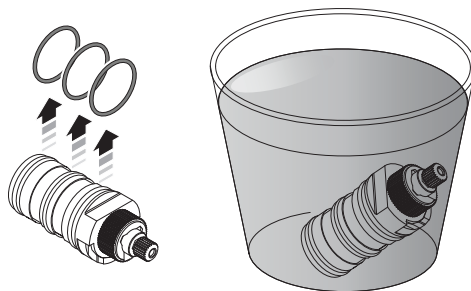
SERVICING – THERMOSTATIC CARTRIDGE REMOVAL



1. The thermostatic cartridge can be removed for replacement or cleaning.
2. Isolate the hot and cold mains water supplies before the shower valve.
3. Follow the above steps for removal.

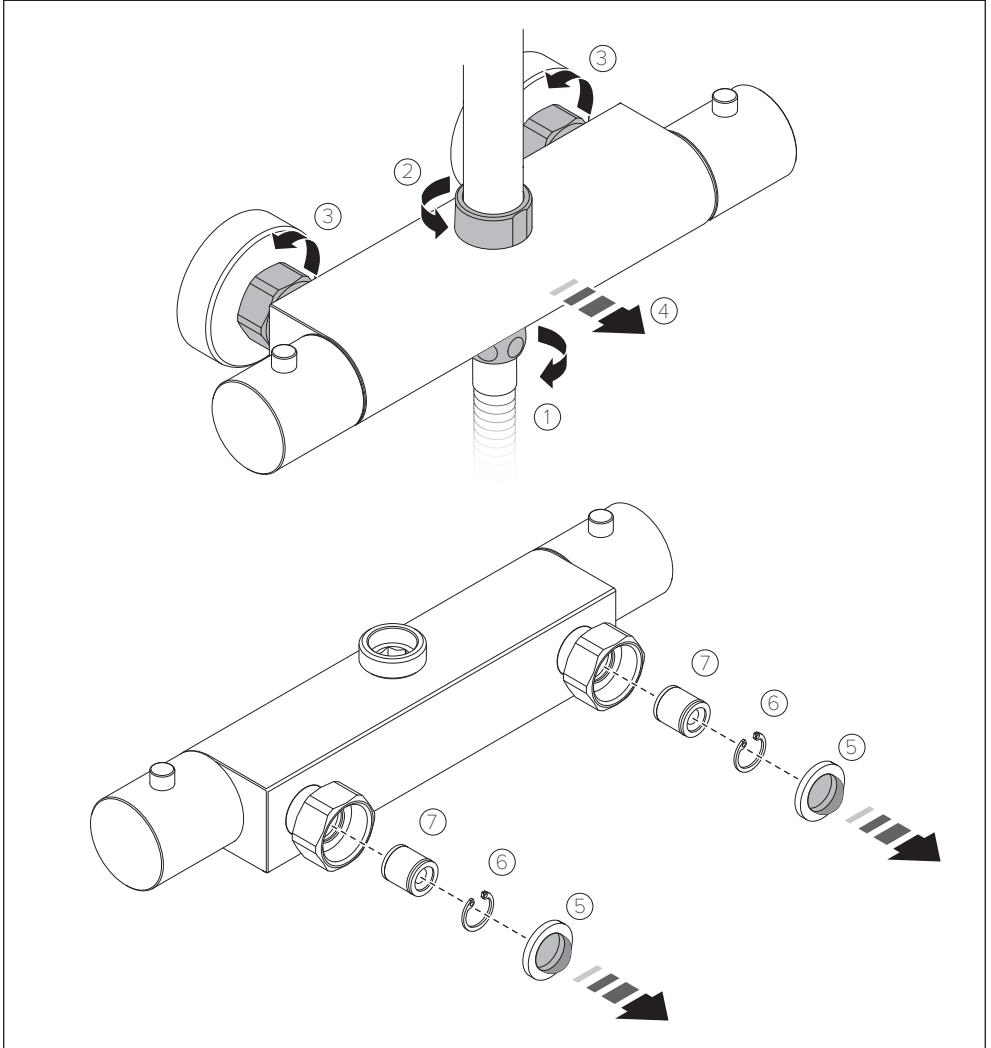
COALBROOK

www.coalbrookuk.co.uk | info@coalbrookuk.co.uk



1. After removing the thermostatic cartridge check the 'O' rings for damage (i.e. cuts or tears). Gently remove the 'O' rings before soaking the cartridge in de-scaling fluid. Soak the cartridge according to the instructions on the de-scaling fluid packaging. Rinse under cold water before fitting.
2. Carefully replace the 'O' rings before fitting the cartridge.

SERVICING – NON-RETURN VALVE(S) REMOVAL



1. The thermostatic shower valve has two non-return valves. These can be removed for replacement or cleaning.
2. Isolate the hot and cold mains water supplies before the shower valve.
3. Follow the above steps for removal.

COALBROOK

www.coalbrookuk.co.uk | info@coalbrookuk.co.uk



COALBROOK

Whilst every effort is made to ensure the accuracy of these, they are subject to change without notice as part of the company's product development process. The use of trademarks, product design and artwork is subject to licence or agreement. The design registrations, trademark registrations and copyrights are protected by law and the use or reproduction outside the terms of an agreement is prohibited.

The right to modify designs and dimensions is reserved. E & O.E.

V5.0326

COALBROOK

www.coalbrookuk.co.uk | info@coalbrookuk.co.uk