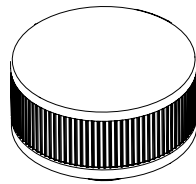
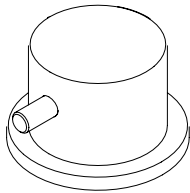


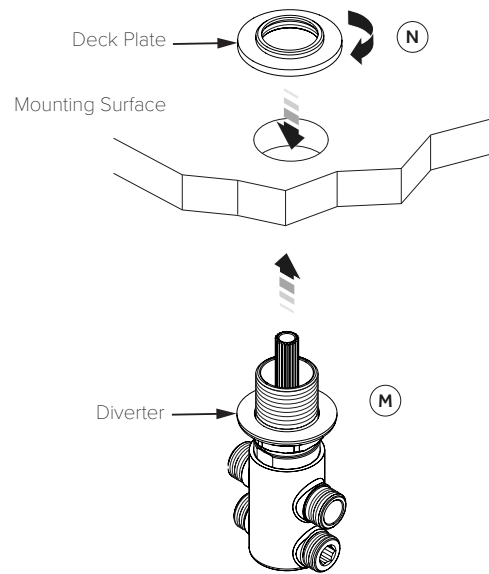
COALBROOK



DECK MOUNTED DIVERTER

BA2113 | DC2113 | DO2113

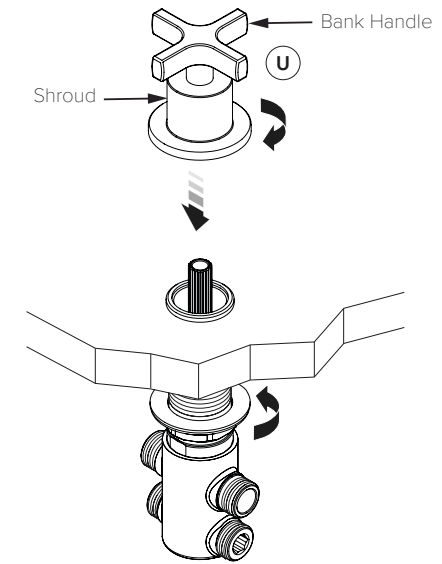
DIVERTER INSTALLATION DIAGRAM (STEPS 1 - 3)



1. When necessary, drill a suitable size hole in the mounting surface to suit the diverter body (M) which is $\text{Ø}33$.
2. Locate the diverter body (M) through the hole in the mounting surface.
3. Screw the deck plate (N) onto the top of the diverter valve until both components come to a natural stop.

DIVERTER INSTALLATION DIAGRAM (STEP 4)

BANK



4. For Bank diverter trim assembly, locate the Bank handle (U) onto the spline and secure by screwing the shroud onto the diverter body

COALBROOK

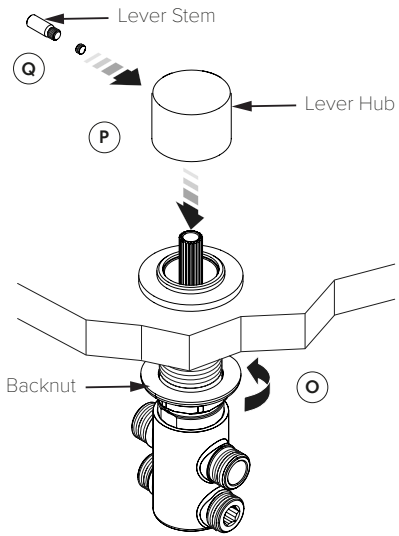
www.coalbrookuk.co.uk | info@coalbrookuk.co.uk

COALBROOK

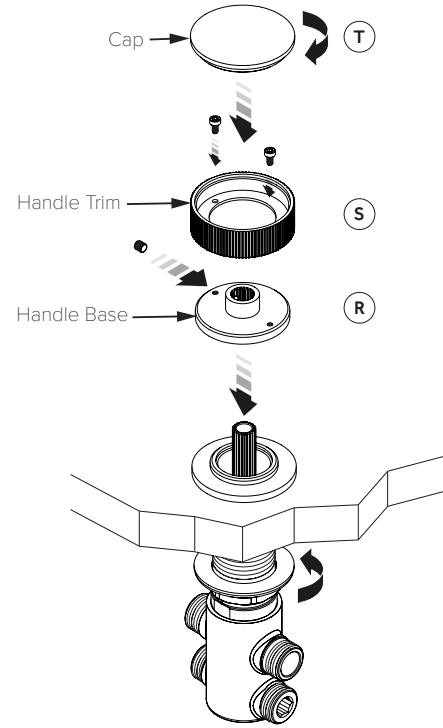
www.coalbrookuk.co.uk | info@coalbrookuk.co.uk

DIVERTER INSTALLATION DIAGRAM (STEPS 4 - 9)

**DOMO
ZURICH**



DECCA

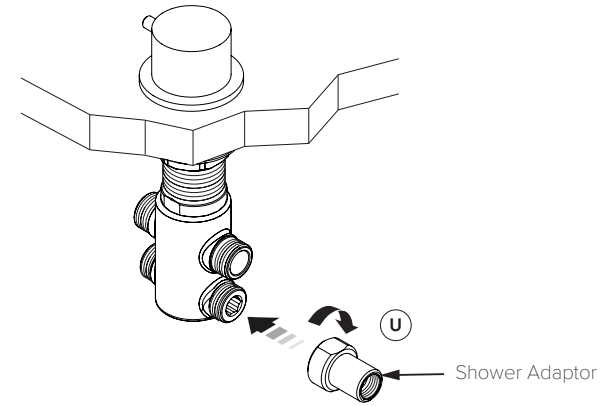


4. Rotate the diverter body so that the side outlet ports are facing the required direction for connections.
5. Once the diverter valve orientation is confirmed, screw the backnut (O) to secure the diverter valve body in place. Do not over tighten.
6. For Domo trim assemblies, locate the lever hub (P) onto the diverter spindle and secure using the provided grub screw. The lever stem (Q) can then be screwed into the hub.
7. For Decca trim assemblies, locate the handle base (R) onto the diverter spindle and secure using the provided grub screw.
8. The handle trim (S) can then be secured to the base using the two set screws.
9. Screw the cap (T) onto the trim to complete the installation.

COALBROOK

www.coalbrookuk.co.uk | info@coalbrookuk.co.uk

DIVERTER INSTALLATION DIAGRAM (STEP 10)



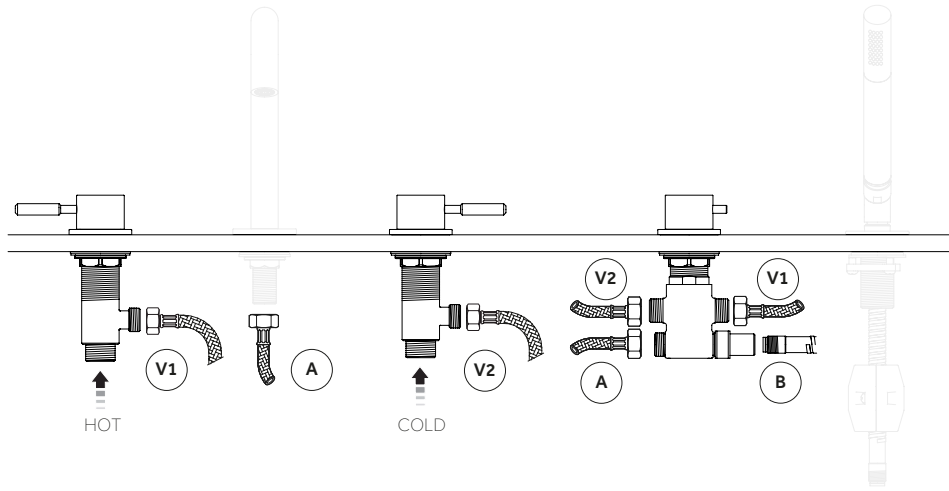
10. Once the diverter is fully installed, the shower adaptor (U) can be screwed onto its required outlet port.

Please refer to 'Making the Connections' sections for port details.

COALBROOK

www.coalbrookuk.co.uk | info@coalbrookuk.co.uk

CONNECTIONS INSTALLATION DIAGRAM



DOMO SETUP SHOWN

1. Connect the hot and cold water supplies at the bottom inlet of both flow valves.
2. Follow the coded pairs in the diagram above to check relevant plumbing connections.
3. Check all connections for leaks before concealing pipework and finishing installation.

COALBROOK

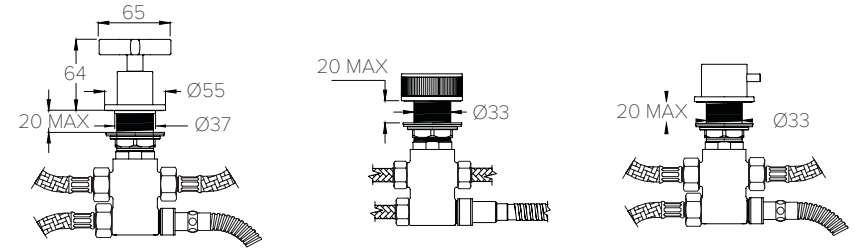
www.coalbrookuk.co.uk | info@coalbrookuk.co.uk

SPECIFICATION DIAGRAM

BANK

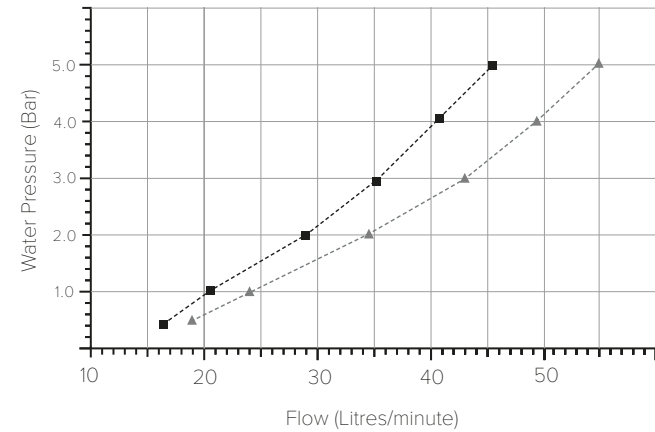
DECCA

DOMO



TYPICAL FLOW RATES (2113)

Flow rates shown are free-flowing and may vary subject to restrictions created by installation, pipework layout or application



Water Pressure (Bar)	Outlet 1 (Litres/minute)	Outlet 2 (Litres/minute)
0.5	▲ 18.2	■ 13.9
1.0	▲ 24.7	■ 20.2
2.0	▲ 34.7	■ 28.3
3.0	▲ 43	■ 35.1
4.0	▲ 49.5	■ 40.9
5.0	▲ 55.5	■ 45.9

COALBROOK

www.coalbrookuk.co.uk | info@coalbrookuk.co.uk



COALBROOK

Whilst every effort is made to ensure the accuracy of these, they are subject to change without notice as part of the company's product development process. The use of trademarks, product design and artwork is subject to licence or agreement. The design registrations, trademark registrations and copyrights are protected by law and the use or reproduction outside the terms of an agreement is prohibited.

The right to modify designs and dimensions is reserved. E & O.E.

v1.0822

COALBROOK

www.coalbrookuk.co.uk | info@coalbrookuk.co.uk