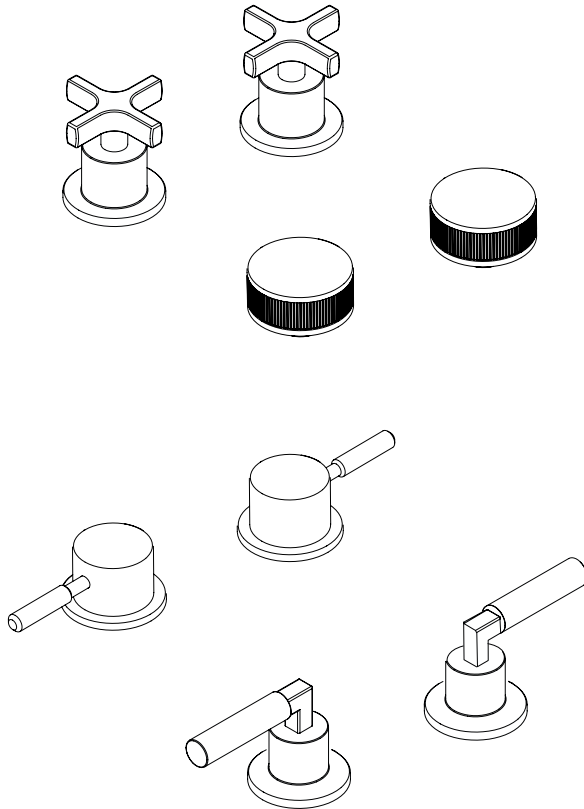


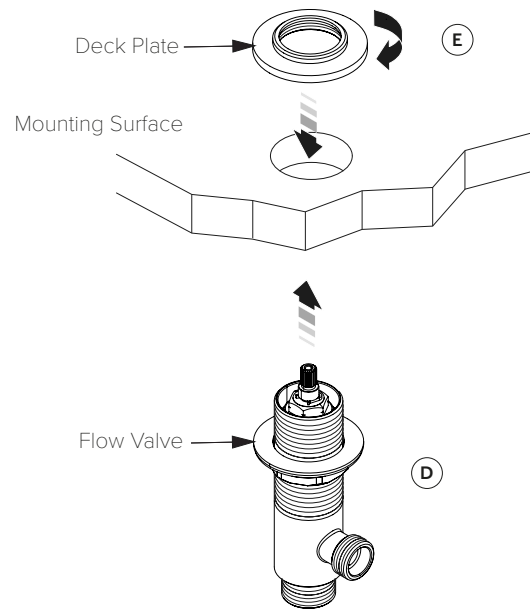
COALBROOK



DECK MOUNTED ON/OFF VALVES DECK MOUNTED DIVERTER

BA2112 | DC2112 | DO2112 | ZU2112

FLOW VALVE INSTALLATION DIAGRAM (STEPS 1 - 3)



1. When necessary, drill a suitable size hole in the mounting surface to suit the flow valve body (D) which is $\text{Ø}33$.
2. Locate the flow valve body (D) through the hole in the mounting surface.
3. Screw the deck plate (E) onto the top of the flow valve until both components come to a natural stop.

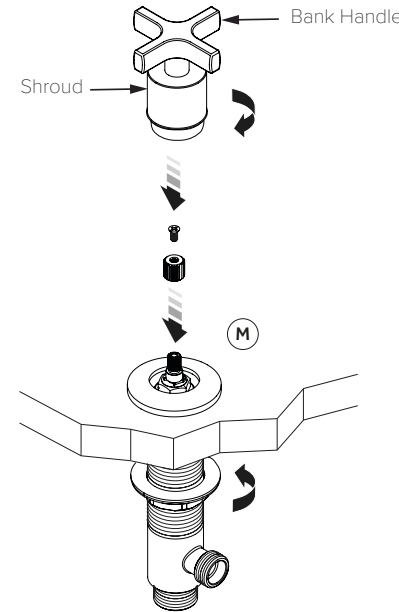
Suitable access is required underneath the mounting surface as the flow cartridge can only be serviced by removing the side valve assembly from its mounted position.

COALBROOK

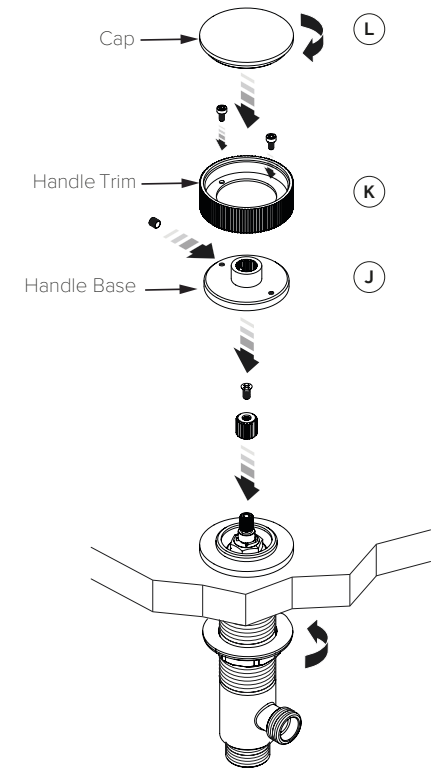
www.coalbrookuk.co.uk | info@coalbrookuk.co.uk

FLOW VALVE INSTALLATION DIAGRAM (STEPS 4 - 10)

BANK



DECCA



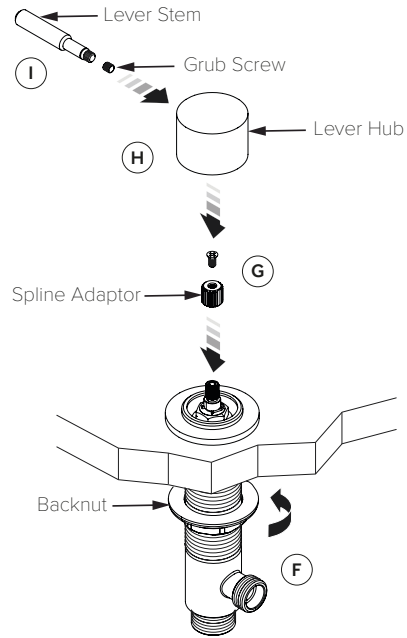
4. Rotate the flow valve body so that the side outlet port is facing the required direction for connection.
5. Once the flow valve orientation is confirmed, screw the backnut (F) to secure the flow valve body in place. Do not over tighten.
6. Before assembling trim components, the spline adaptor (G) needs to be located onto the exposed cartridge spindle and secured using the provided screw.
7. For Domo trim assemblies, locate the lever hub (H) onto the spline adaptor and secure using the provided grub screw. The lever stem (I) can then be screwed into the hub.
8. For Decca trim assemblies, locate the handle base (J) onto the spline adaptor and secure using the provided grub screw.
9. The handle trim (K) can then be secured to the base using the two set screws.
10. Screw the cap (L) onto the trim to complete the installation.

COALBROOK

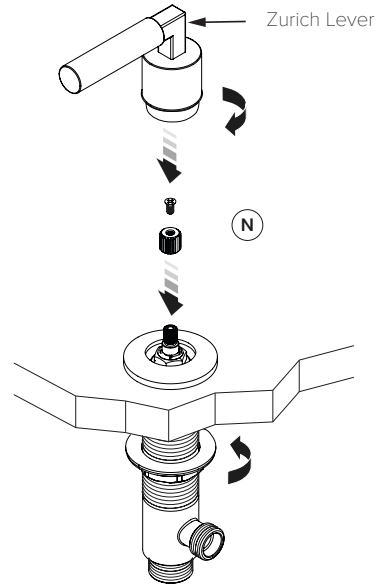
www.coalbrookuk.co.uk | info@coalbrookuk.co.uk

FLOW VALVE INSTALLATION DIAGRAM (STEPS 11- 12)

DOMO

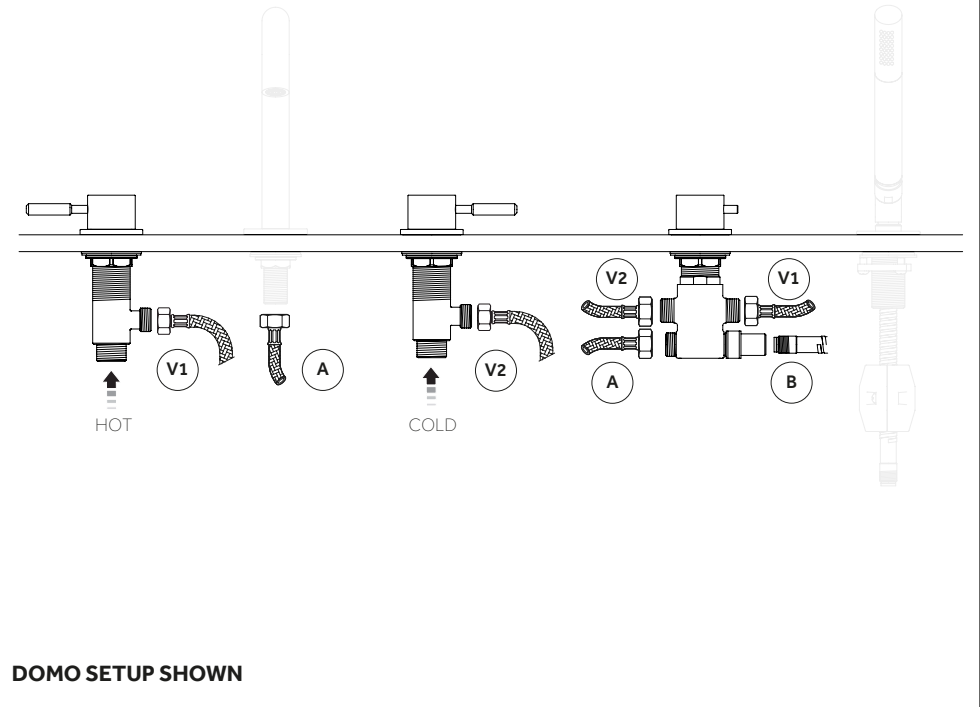


ZURICH



11. For Bank trim assemblies, locate the Bank handle (M) onto the spline and secure by screwing the shroud into the flow valve.
12. For Zurich trim assemblies, locate the Zurich lever (N) onto the spline and secure by screwing the shroud into the flow valve

CONNECTIONS INSTALLATION DIAGRAM

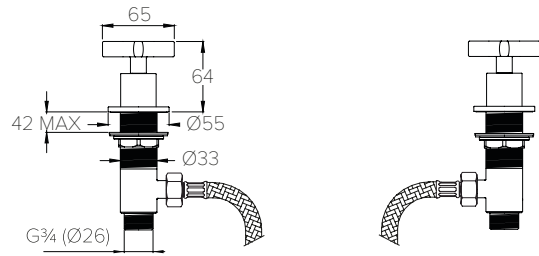


DOMO SETUP SHOWN

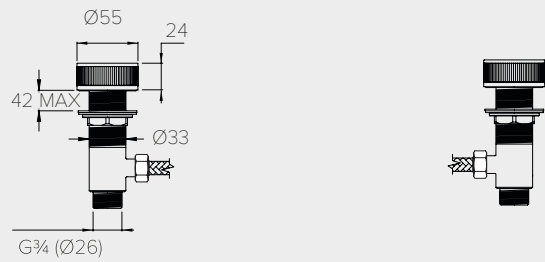
1. Connect the hot and cold water supplies at the bottom inlet of both flow valves.
2. Follow the coded pairs in the diagram above to check relevant plumbing connections.
3. Check all connections for leaks before concealing pipework and finishing installation.

SPECIFICATION DIAGRAM

BANK



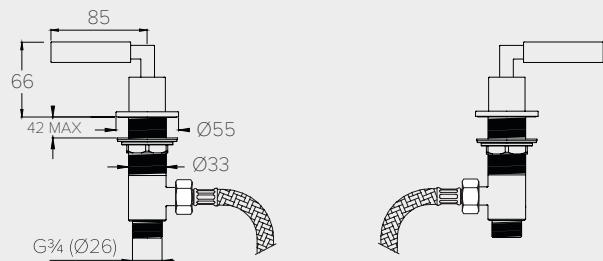
DECCA



DOMO



ZURICH

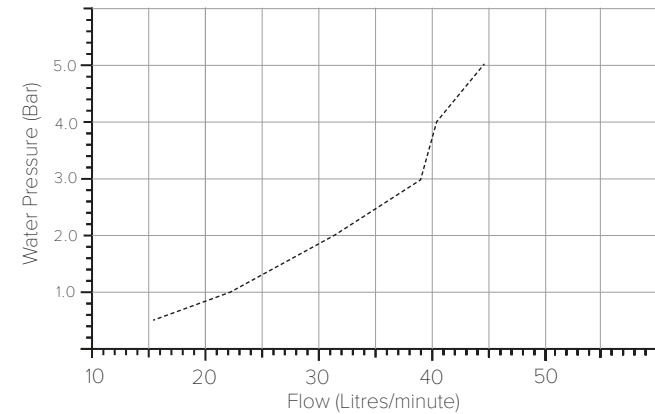


COALBROOK

www.coalbrookuk.co.uk | info@coalbrookuk.co.uk

TYPICAL FLOW RATES

Flow rates shown are free-flowing and may vary subject to restrictions created by installation, pipework layout or application



Water Pressure (Bar)	Spout (Litres/minute)
0.5	15.1
1.0	22.1
2.0	31.3
3.0	39
4.0	40.3
5.0	44.9

COALBROOK

www.coalbrookuk.co.uk | info@coalbrookuk.co.uk



COALBROOK

Whilst every effort is made to ensure the accuracy of these, they are subject to change without notice as part of the company's product development process. The use of trademarks, product design and artwork is subject to licence or agreement. The design registrations, trademark registrations and copyrights are protected by law and the use or reproduction outside the terms of an agreement is prohibited.

The right to modify designs and dimensions is reserved. E & O.E.

v1.0822

COALBROOK

www.coalbrookuk.co.uk | info@coalbrookuk.co.uk