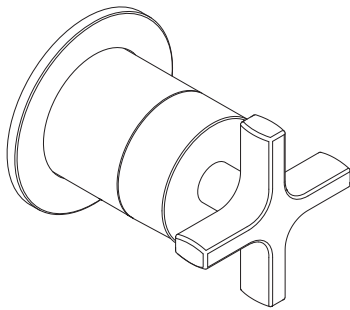
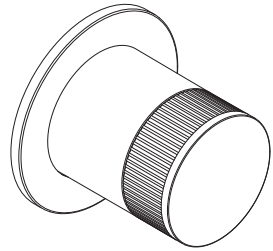
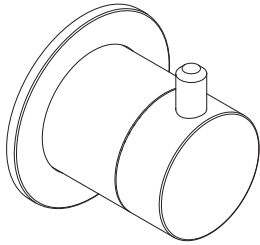




**COALBROOK**

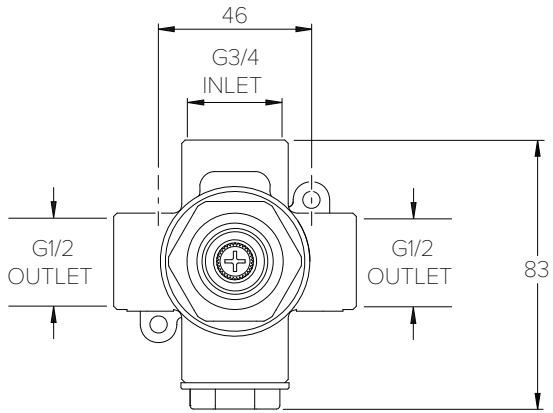
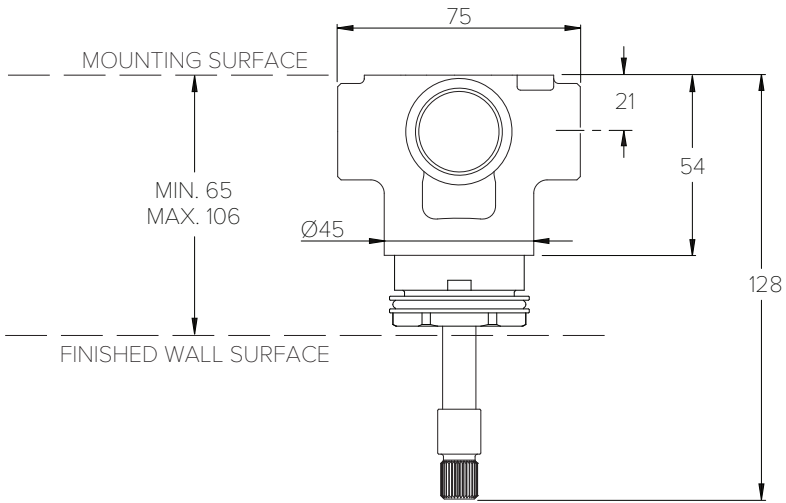


**WALL MOUNTED DIVERTER INSTALLATION**

---

BA2007 | DC2007 | DO2007

**SPECIFICATION DIAGRAM (ROUGH) (mm)**

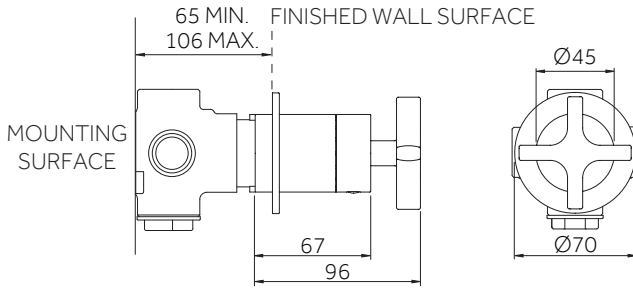


**BLANKING PLUG**

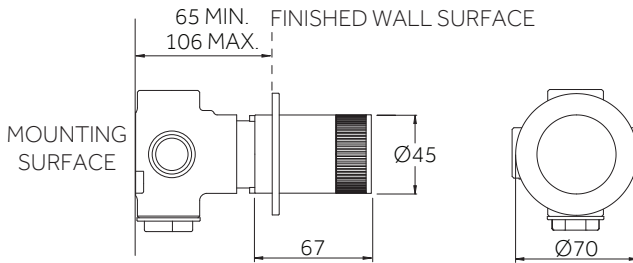
The diverter is supplied with a blanking plug fitted.  
This can be removed if an additional supply inlet is required.

**SPECIFICATION DIAGRAM (TRIMS) (mm)**

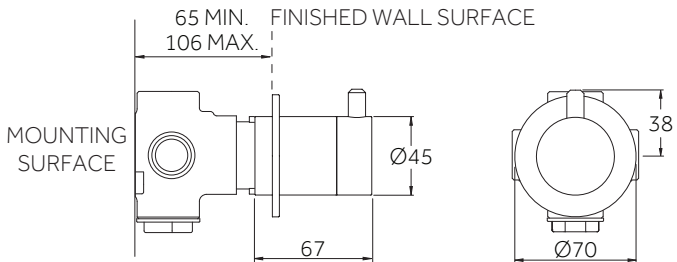
BA2007



DC2007

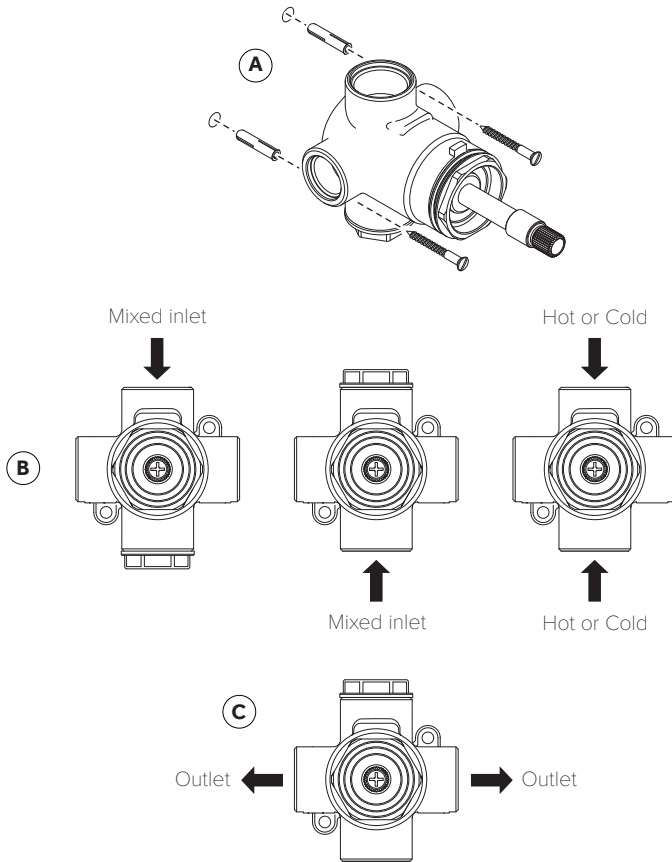


DO2007



**COALBROOK**

## DIVERTER INSTALLATION DIAGRAM (STEPS 1 - 3)

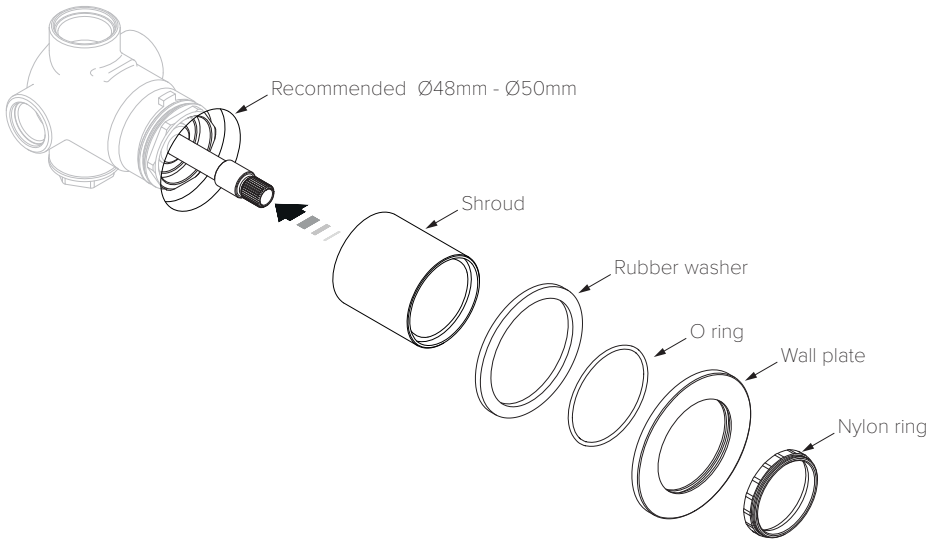


1. Locate and secure the diverter to the mounting surface using suitable fixings (A).
2. Connect the inlets to the diverter. A single mixed inlet can be used, or the blanking plug can be removed to allow hot & cold inlets at the bottom and top (B).
3. Connect the outlets to the diverter. Always check for leaks before applying the finished wall surface. A 48mm - 50mm diameter hole is recommended in the finished wall surface. This will enable the rubber washer in the rear of the wall plate to make contact with the finished wall.

**COALBROOK**

[www.coalbrookuk.co.uk](http://www.coalbrookuk.co.uk) | [info@coalbrookuk.co.uk](mailto:info@coalbrookuk.co.uk)

## HANDLE SHROUD & WALL PLATE INSTALLATION DIAGRAM (STEPS 4 - 7)

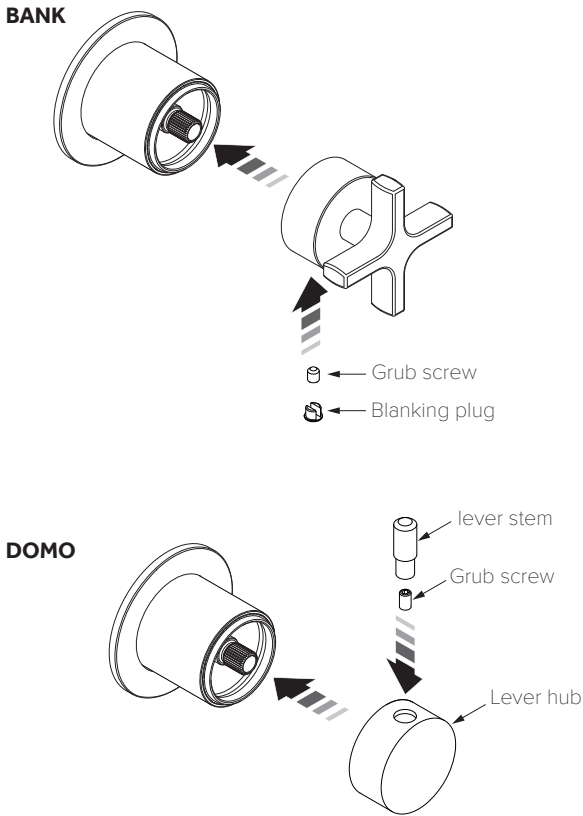


4. Locate and gently push the handle shroud on to the diverter body.
5. Ensure that the central O ring and rear rubber washer are installed into the wall plate.
6. Gently slide the wall plate over the shroud up to the wall surface.
7. Insert the nylon ring into the shroud.

**COALBROOK**

[www.coalbrookuk.co.uk](http://www.coalbrookuk.co.uk) | [info@coalbrookuk.co.uk](mailto:info@coalbrookuk.co.uk)

## BANK & DOMO TRIM INSTALLATION DIAGRAM (STEPS 8 - 9)

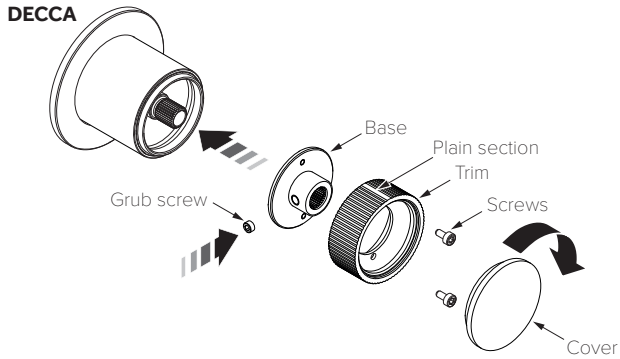


8. For the **BANK** trim assembly, locate the handle assembly on to the diverter splines and secure using the grub screw provided. Locate and secure the decorative blanking plug with light pressure.
9. For the **DOMO** trim assembly, locate the lever hub onto the diverter spline and secure using the grub screw provided. Screw the lever stem into the lever hub.

**COALBROOK**

[www.coalbrookuk.co.uk](http://www.coalbrookuk.co.uk) | [info@coalbrookuk.co.uk](mailto:info@coalbrookuk.co.uk)

## DECCA TRIM INSTALLATION DIAGRAM (STEPS 10 - 12)

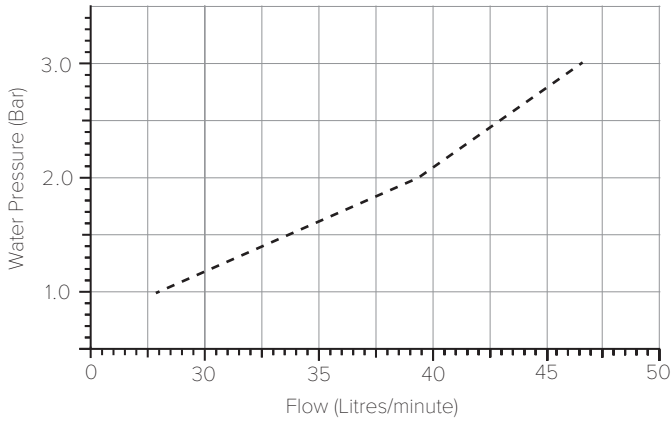


10. For the **DECCA** trim assembly, rotate the handle base until the two small holes are vertical. Locate the base onto the diverter splines and secure using the grub screw provided.
11. Secure the handle trim to the base using the two set screws provided. The plain section of the flow control handle should be aligned so that it is on top when in the 'OFF' position.
12. Screw the cover onto the trim to complete the installation.

**COALBROOK**

## TYPICAL FLOW RATES

Flow rates shown are free-flowing and may vary subject to restrictions created by installation, pipework layout or application



Water Pressure (Bar)	Outlet (Litres/minute)
1.0	27.7
2.0	39.4
3.0	46.6











**COALBROOK**

Whilst every effort is made to ensure the accuracy of these, they are subject to change without notice as part of the company's product development process. The use of trademarks, product design and artwork is subject to licence or agreement. The design registrations, trademark registrations and copyrights are protected by law and the use or reproduction outside the terms of an agreement is prohibited. The right to modify designs and dimensions is reserved. E & O.E.

v1.0923

**COALBROOK**

[www.coalbrookuk.co.uk](http://www.coalbrookuk.co.uk) | [info@coalbrookuk.co.uk](mailto:info@coalbrookuk.co.uk)