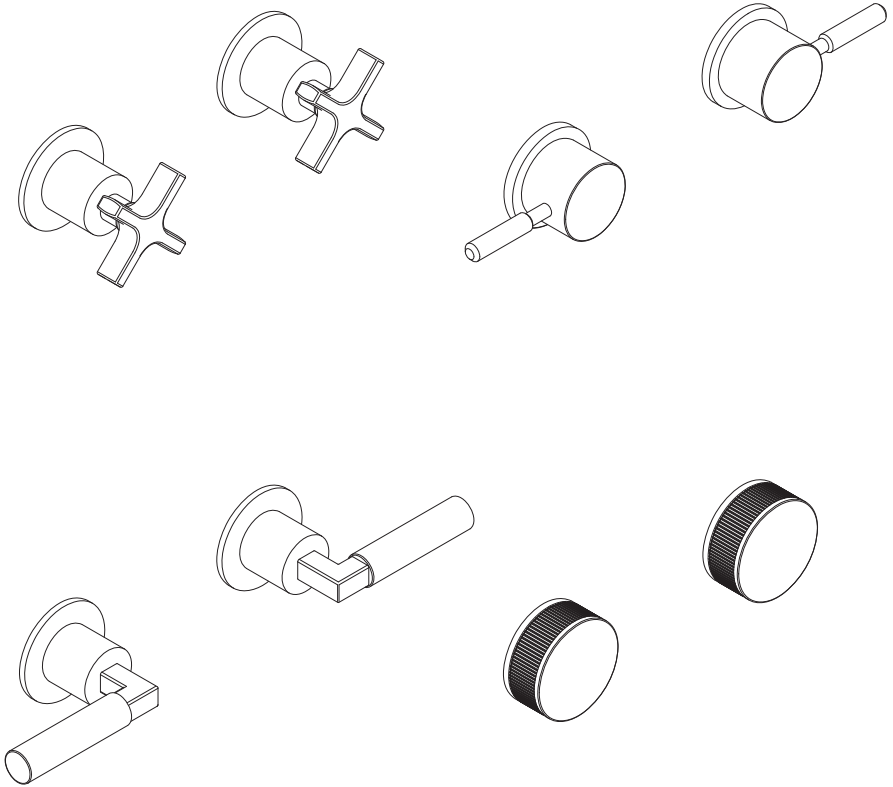




COALBROOK



WALL MOUNTED ON/OFF VALVES

IMPORTANT INFORMATION

Professional installation

We recommend that our products are fitted by a fully qualified professional plumber. They should be installed correctly and in accordance with all local water regulations and the system protected by non-return valves (not supplied). All products should be accessible for routine servicing.

Suits all systems

This Coalbrook product is potentially suitable for every possible application, type of boiler and water supply pressure. However, if your supply pressure is below 1 bar it is advisable to fit a water pump. For systems with combination boilers, it is not advisable to fit pumps (refer to boiler manufacturer).

Supply temperature safety notice

A thermostatic mixing valve (TMV) should be fitted (not supplied) to the hot supply to restrict the temperature to a safe working/maximum temperature to comply with local building regulations, current legislation, relevant standards and codes of practice. Maximum allowed temperatures vary subject to type of installation or specification of building.

Flushing system

It is most important to flush out all pipework thoroughly before connecting the on/off valves. Failure to do so is the single most common cause of cartridge failure.

Supply connections

The hot water supply must be connected to the left on/off valve, and cold water to the right on/off valve, as viewed from the front.

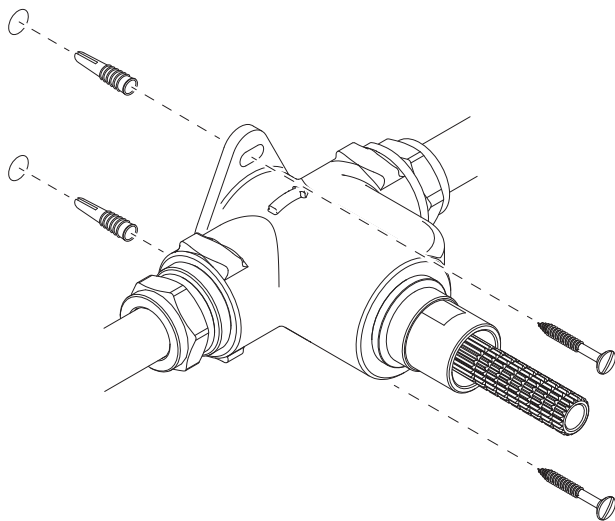
Balancing flow

If a significant pressure difference exists between the hot and cold supplies, we advise fitting a flow regulator (not supplied) to the higher or both supplies.

Water quality

In hard water areas, a suitable water treatment system should be provided to prevent limescale deposits (calcium deposits) which may effect the long term performance of the on/off valve cartridges. Exterior surfaces should be gently wiped with a dry soft cloth after use to minimise water stains and limescale deposits.

ON/OFF VALVE BODY INSTALLATION DIAGRAM (STEPS 1 - 4)

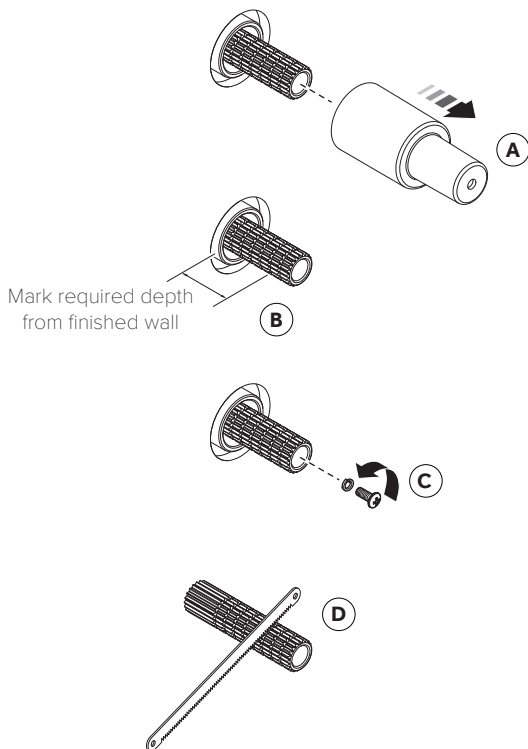


1. Mark the securing locations of the bodies on the mounting surface. Ensure the on/off valves are in the correct orientation and that the flow direction arrows on the bodies are pointing in the correct direction.
2. Drill the securing locations using a suitably sized drill bit for the wall plugs used.
3. Insert the wall plugs, locate the assembled bodies and secure with screws.
4. Check all connections for leaks and ensure the dust covers are securely fitted before concealing valve bodies and continuing installation. We recommend a clearance hole of approximately $\text{Ø}35\text{mm}$ be left in the finished wall surface to allow for trim installation.

COALBROOK

www.coalbrookuk.co.uk | info@coalbrookuk.co.uk

ON/OFF VALVE BODY INSTALLATION DIAGRAM (STEPS 5 - 8)

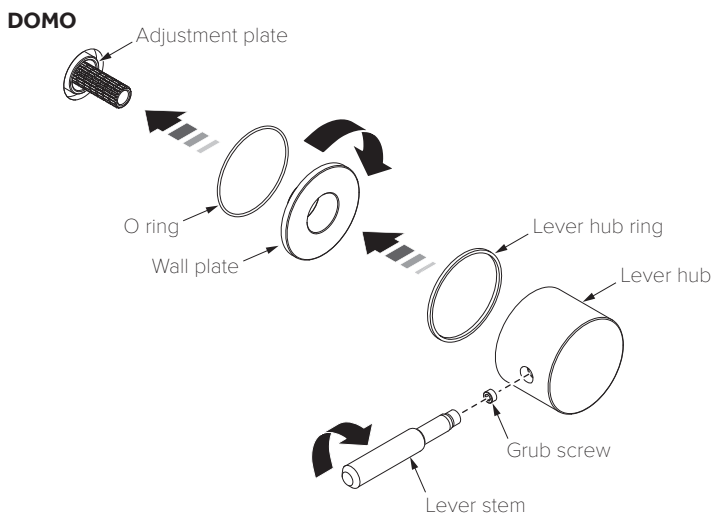


5. With the wall finish complete, remove the dust covers (A).
6. Measure and mark the spindle adapters at the following distance from the finished wall (B).
 - Bank = 23mm - 28mm.
 - Decca = 18mm - 21mm.
 - Domo = 26mm - 30mm.
 - Zurich = 23mm - 28mm.
7. Remove the screws and washers (C) from the centres of the spindle adapters using a no.2 Pozidriv screwdriver.
8. Cut the spindles to length and secure using the screws and washers removed previously.

COALBROOK

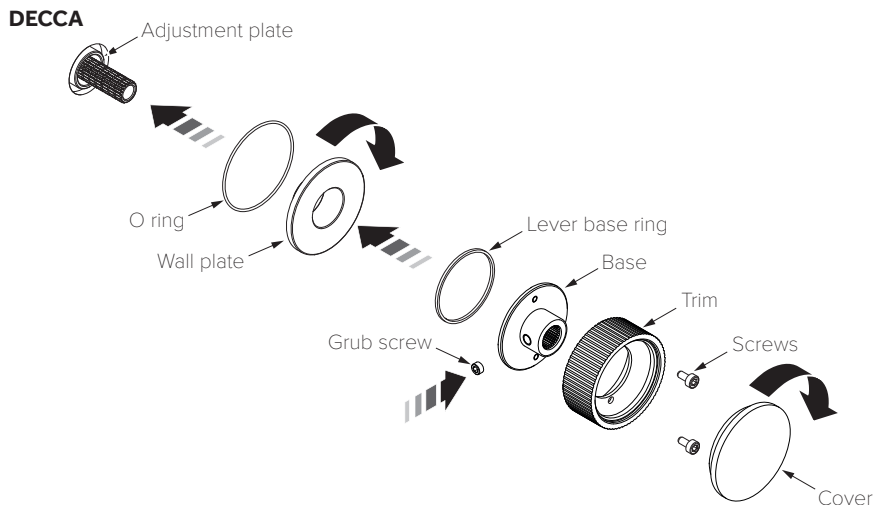
www.coalbrookuk.co.uk | info@coalbrookuk.co.uk

DOMO HANDLE INSTALLATION DIAGRAM (STEPS 1 - 3)



1. For **DOMO** trim assemblies, ensure that the O rings are located into the slots at the rear of the wall plates. Screw the wall plates onto the threaded adjustment plates on the valves.
2. Ensure that the lever hub rings are located in the lever hubs. Locate the lever hubs onto the on/off valve splines and secure using the grub screws provided. Screw the lever stems into the lever hubs.
3. The lever stems should be facing outward when the valves are in the OFF position.

DECCA HANDLE INSTALLATION DIAGRAM (STEPS 1 - 4)

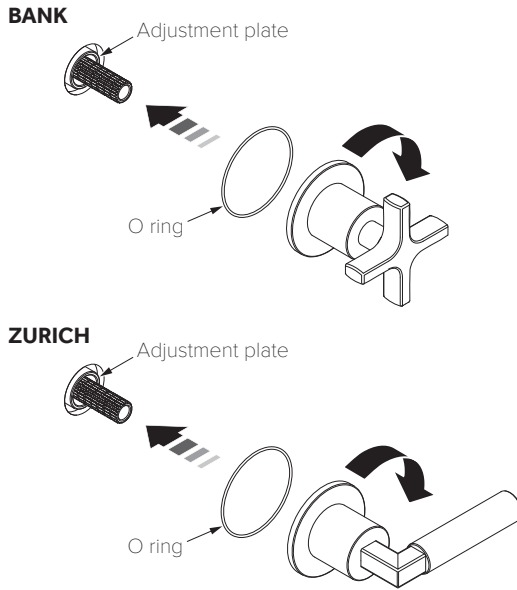


1. For **DECCA** trim assemblies, ensure that the O rings are located into the slots at the rear of the wall plates. Screw the wall plates onto the threaded adjustment plates on the valves.
2. Rotate the handle bases until the two small holes are vertical. Ensure that the lever base rings are located into the bases. Locate the bases onto the on/off valve splines and secure using the grub screws provided.
3. Secure the handle trims to the base using the screws provided.
4. Screw the covers onto the trims to complete the installation.

COALBROOK

www.coalbrookuk.co.uk | info@coalbrookuk.co.uk

BANK & ZURICH HANDLE INSTALLATION DIAGRAM (STEPS 1 - 2)



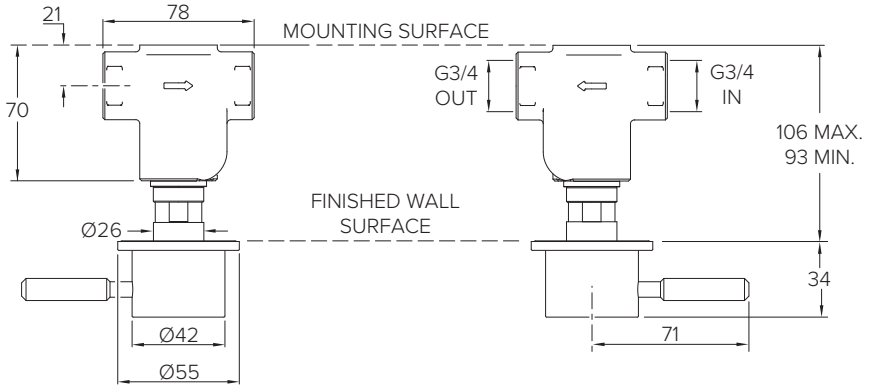
1. For **BANK & ZURICH** trim assemblies, ensure that the O rings are located into the slots at the rear of the wall plates. Screw the handle assemblies onto the threaded adjustment plates on the valves.
2. The Zurich handles should be facing outward when the valves are in the OFF position.

COALBROOK

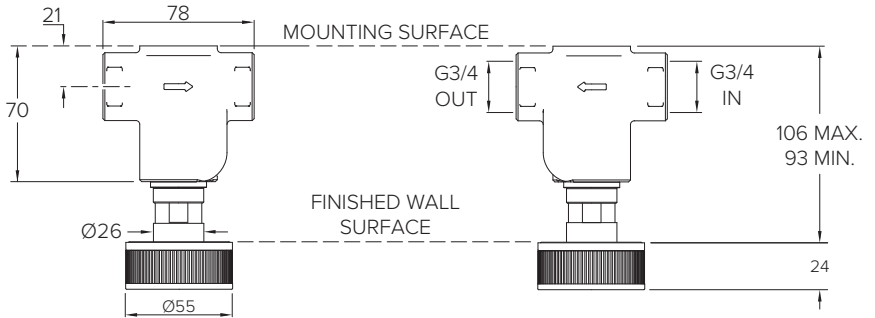
www.coalbrookuk.co.uk | info@coalbrookuk.co.uk

SPECIFICATION DIAGRAM - DOMO & DECCA

DOMO

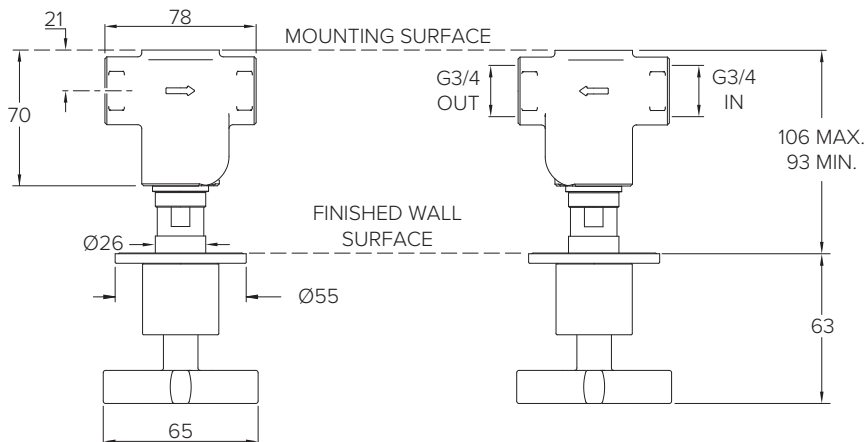


DECCA

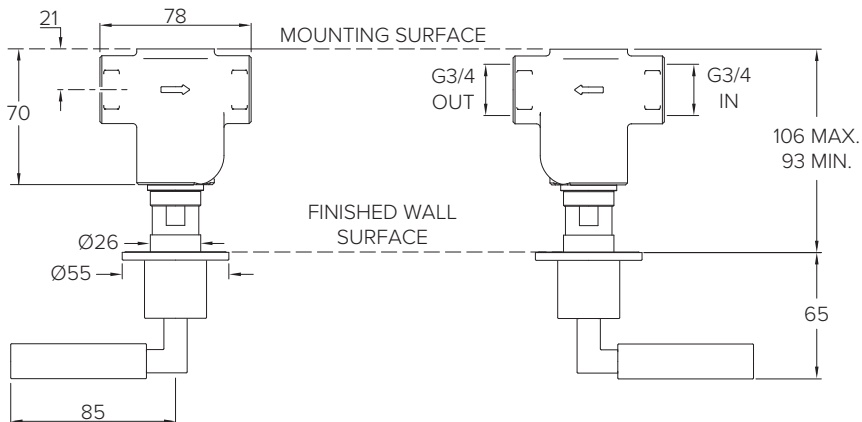


SPECIFICATION DIAGRAM - BANK & ZURICH

BANK



ZURICH





COALBROOK

Whilst every effort is made to ensure the accuracy of these, they are subject to change without notice as part of the company's product development process. The use of trademarks, product design and artwork is subject to licence or agreement. The design registrations, trademark registrations and copyrights are protected by law and the use or reproduction outside the terms of an agreement is prohibited.

The right to modify designs and dimensions is reserved. E & O.E.

V3.0225

COALBROOK

www.coalbrookuk.co.uk | info@coalbrookuk.co.uk