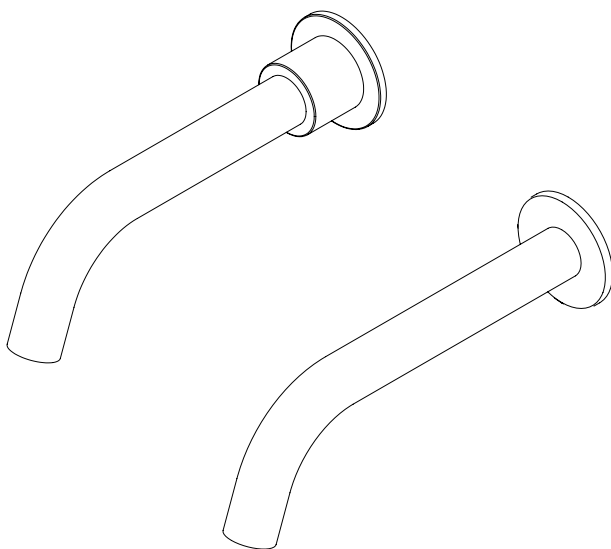


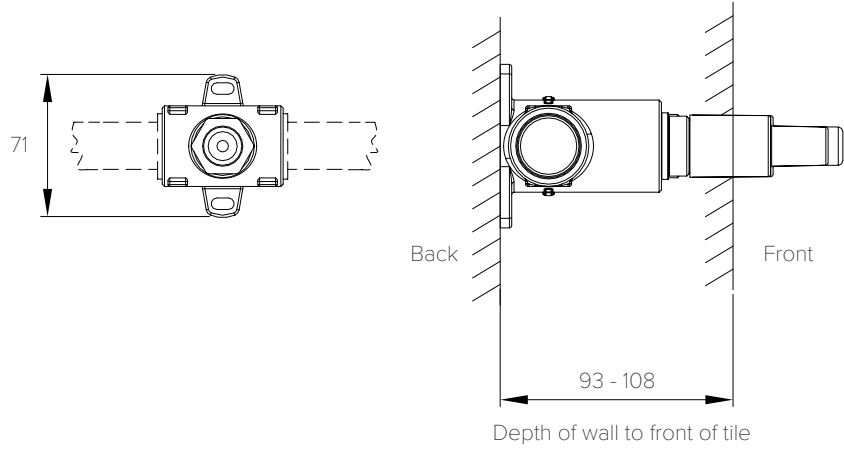
COALBROOK



**WALL MOUNTED BATH SPOUT
& BATH SPOUT ROUGH INSTALLATION**

BA2003 | DO2003 | CO2102 | DO2002

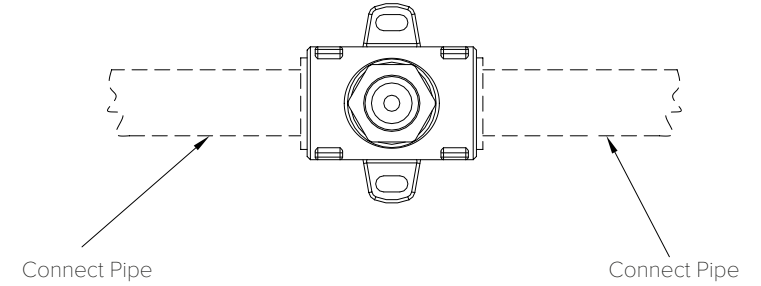
INSTALLATION DIAGRAM (STEP 1)



CO2102 shown

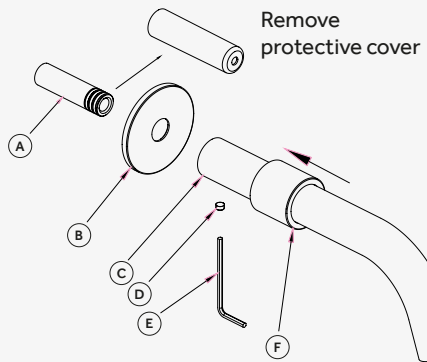
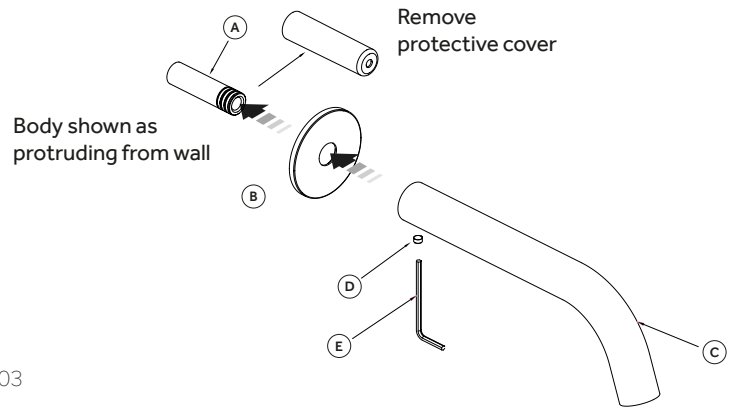
1. Firstly, install the rough, noting the required depth of the wall.

INSTALLATION DIAGRAM (STEP 2)



2. Connect pipes, making sure there are no signs of water leakage.

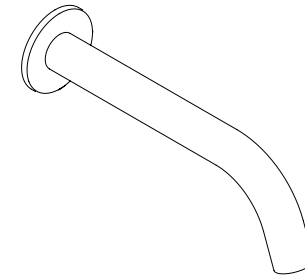
SPOUT INSTALLATION DIAGRAM (STEP 3)



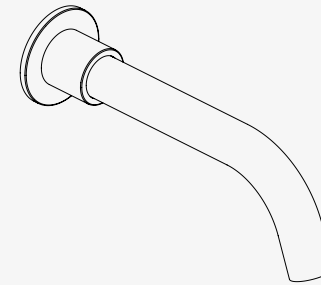
3. For DO2003: Remove the protective cover on the body (A) prior to installing the back plate (B). Use the grub screw (D) to fix the spout (C) to body (A) and tighten it using (E).

For BA2003: Remove the protective cover on the body (A) prior to installing the back plate (B). Push (F) to fit to (B). Use the grub screw (D) to fix the spout (C) to body (A) and tighten it using (E).

SPOUT INSTALLATION DIAGRAM (STEP 4)



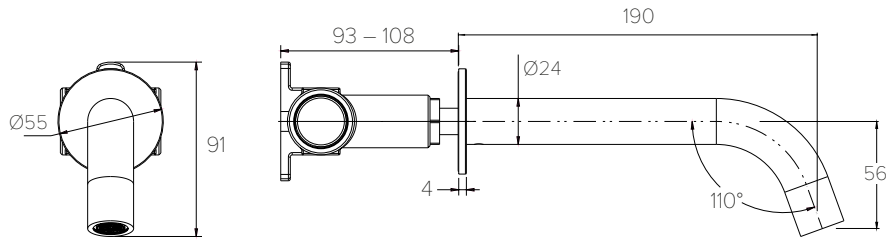
DO2003



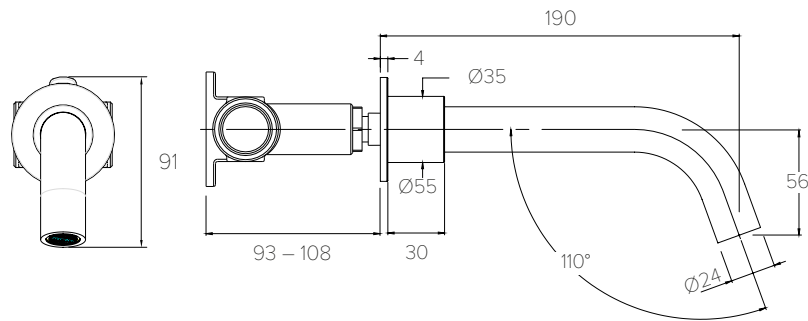
BA2003

4. The completed bath spout.

TECHNICAL SPECIFICATION DO2003 (mm)

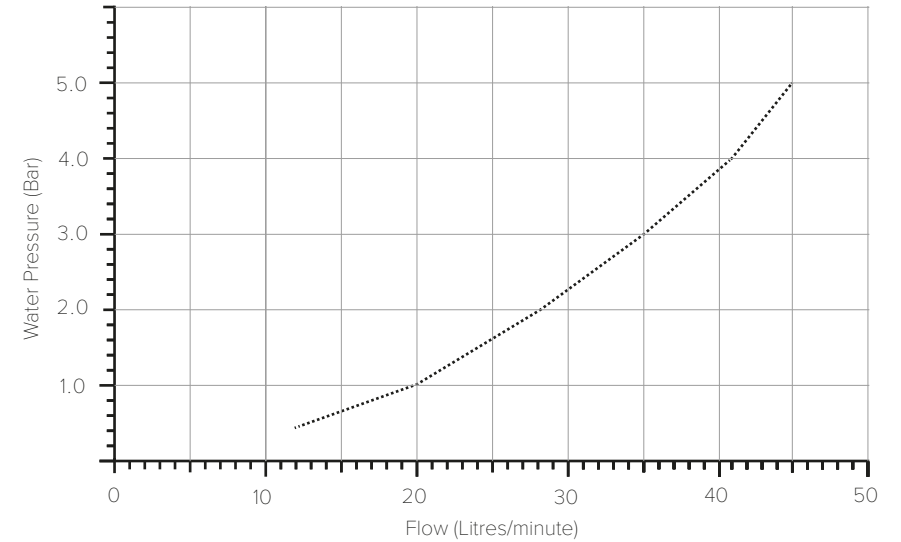


TECHNICAL SPECIFICATION BA2003 (mm)



TYPICAL FLOW RATES

Flow rates shown are free-flowing and may vary subject to restrictions created by installation, pipework layout or application



Water Pressure (Bar)	Outlet (Litres/minute)
0.5	11.8
1.0	19.9
2.0	28.2
3.0	35.2
4.0	40.8
5.0	45.0

COALBROOK

www.coalbrookuk.co.uk | info@coalbrookuk.co.uk

COALBROOK

www.coalbrookuk.co.uk | info@coalbrookuk.co.uk



COALBROOK

Whilst every effort is made to ensure the accuracy of these, they are subject to change without notice as part of the company's product development process. The use of trademarks, product design and artwork is subject to licence or agreement. The design registrations, trademark registrations and copyrights are protected by law and the use or reproduction outside the terms of an agreement is prohibited.

The right to modify designs and dimensions is reserved. E & O.E.

v1.0721

COALBROOK

www.coalbrookuk.co.uk | info@coalbrookuk.co.uk