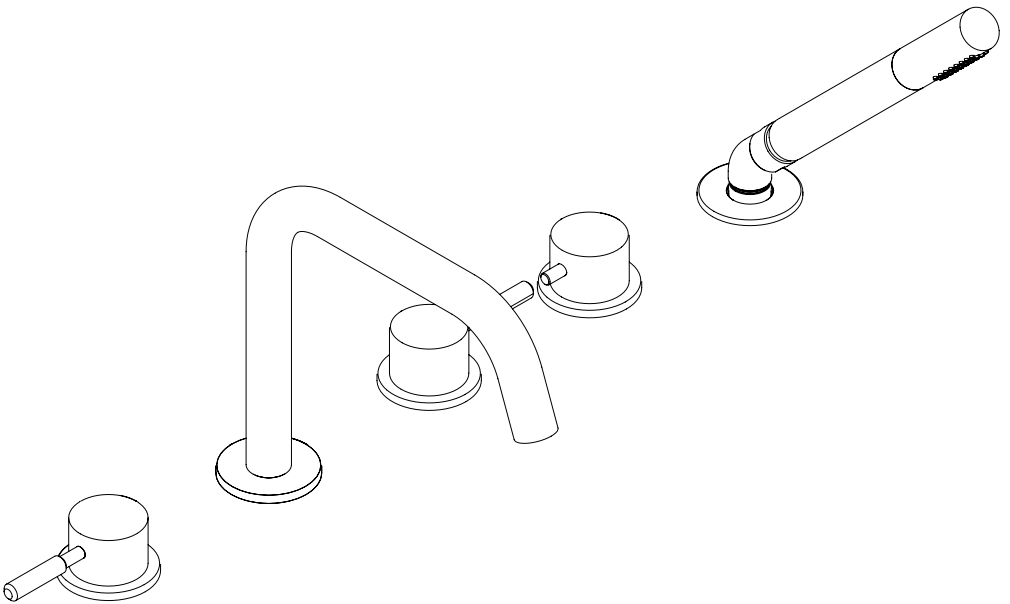


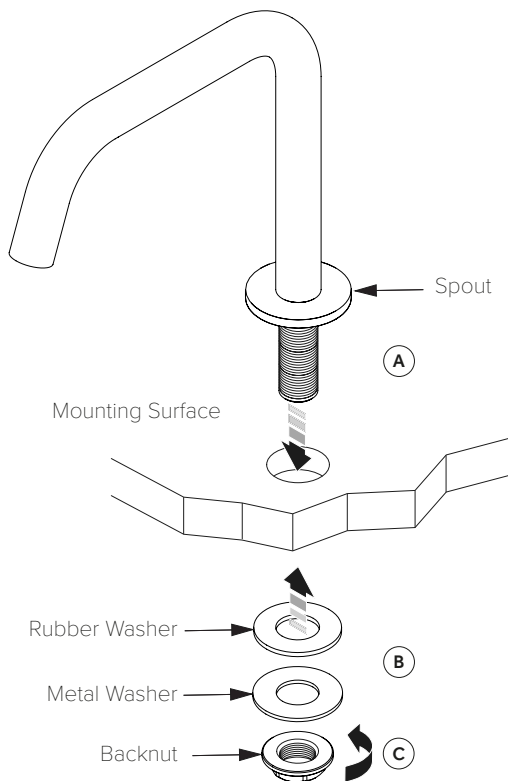
COALBROOK



**5 HOLE DECK MOUNTED BATH FILLER &
HANDSET INSTALLATION**

BA2000 | DC2000 | DO2000 | ZU2000

SPOUT INSTALLATION DIAGRAM

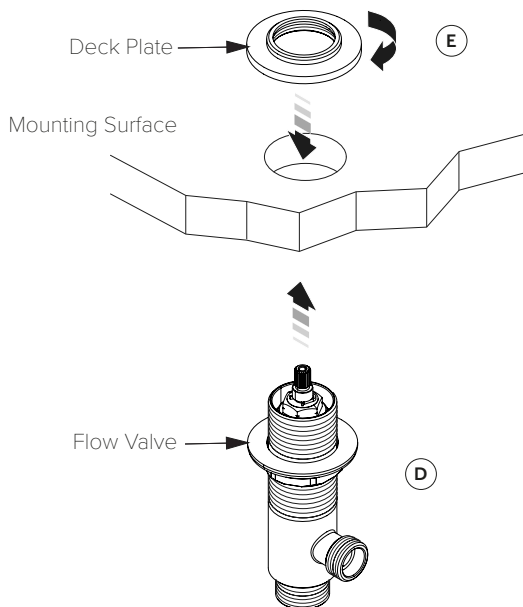


1. When necessary, drill a suitable size hole in the mounting surface to suit the threaded tail of the spout (A) which is $\text{Ø}21$.
2. Pass the threaded tail of the spout (A) through the hole in the mounting surface. Align the spout.
3. Locate both washers (B) onto the threaded tail. Ensure that the rubber washer is assembled first so that it comes into direct contact with the mounting surface.
4. Screw the backnut (C) onto the threaded tail and tighten to secure the spout. Do not over tighten.

COALBROOK

www.coalbrookuk.co.uk | info@coalbrookuk.co.uk

FLOW VALVE INSTALLATION DIAGRAM (STEPS 1 - 3)



1. When necessary, drill a suitable size hole in the mounting surface to suit the flow valve body (D) which is $\text{Ø}33$.
2. Locate the flow valve body (D) through the hole in the mounting surface.
3. Screw the deck plate (E) onto the top of the flow valve until both components come to a natural stop.

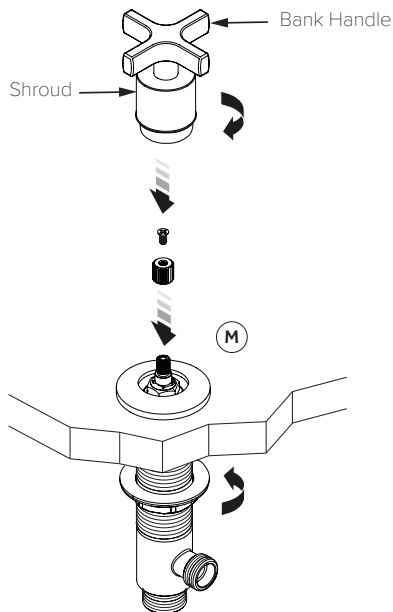
Suitable access is required underneath the mounting surface as the flow cartridge can only be serviced by removing the side valve assembly from its mounted position.

COALBROOK

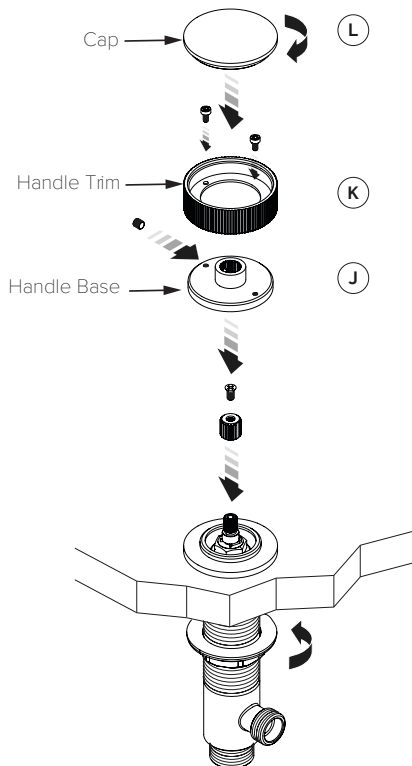
www.coalbrookuk.co.uk | info@coalbrookuk.co.uk

FLOW VALVE INSTALLATION DIAGRAM (STEPS 4- 10)

BANK



DECCA



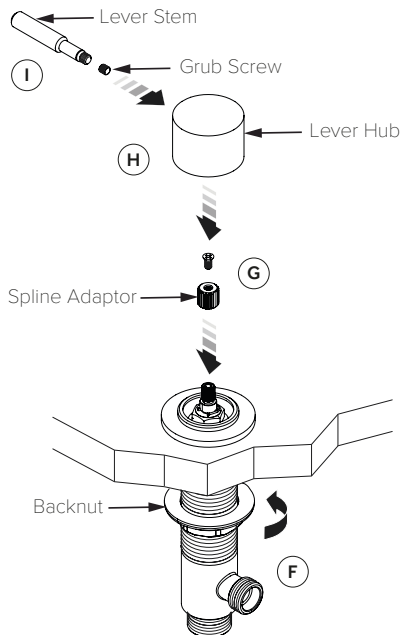
4. Rotate the flow valve body so that the side outlet port is facing the required direction for connection.
5. Once the flow valve orientation is confirmed, screw the backnut (F) to secure the flow valve body in place. Do not over tighten.
6. Before assembling trim components, the spline adaptor (G) needs to be located onto the exposed cartridge spindle and secured using the provided screw.
7. For Domo trim assemblies, locate the lever hub (H) onto the spline adaptor and secure using the provided grub screw. The lever stem (I) can then be screwed into the hub.
8. For Decca trim assemblies, locate the handle base (J) onto the spline adaptor and secure using the provided grub screw.
9. The handle trim (K) can then be secured to the base using the two set screws.
10. Screw the cap (L) onto the trim to complete the installation.

COALBROOK

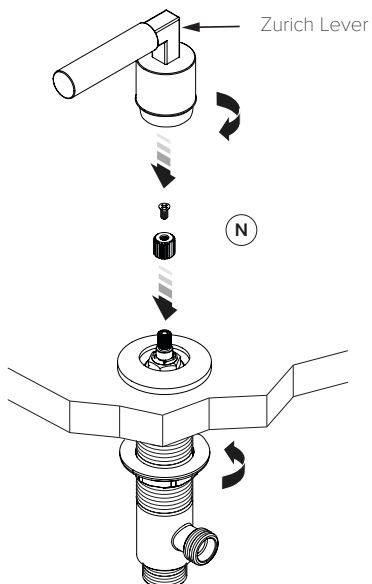
www.coalbrookuk.co.uk | info@coalbrookuk.co.uk

FLOW VALVE INSTALLATION DIAGRAM (STEPS 11- 12)

DOMO

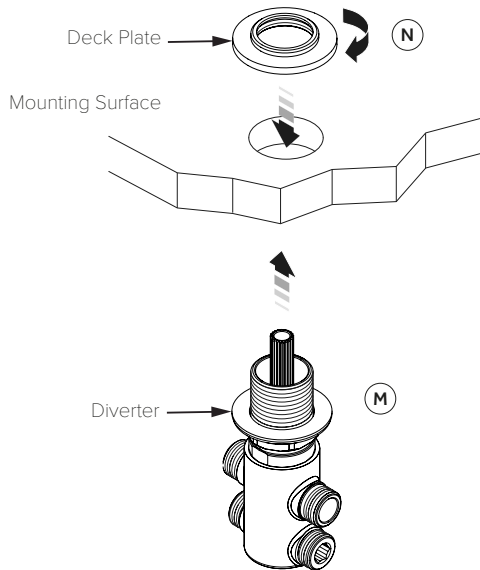


ZURICH



11. For Bank trim assemblies, locate the Bank handle (M) onto the spline and secure by screwing the shroud into the flow valve.
12. For Zurich trim assemblies, locate the Zurich Lever (N) onto the spline and secure by screwing the shroud into the flow valve.

DIVERTER INSTALLATION DIAGRAM (STEPS 1 - 3)



1. When necessary, drill a suitable size hole in the mounting surface to suit the diverter body (M) which is $\text{Ø}33$.
2. Locate the diverter body (M) through the hole in the mounting surface.
3. Screw the deck plate (N) onto the top of the diverter valve until both components come to a natural stop.

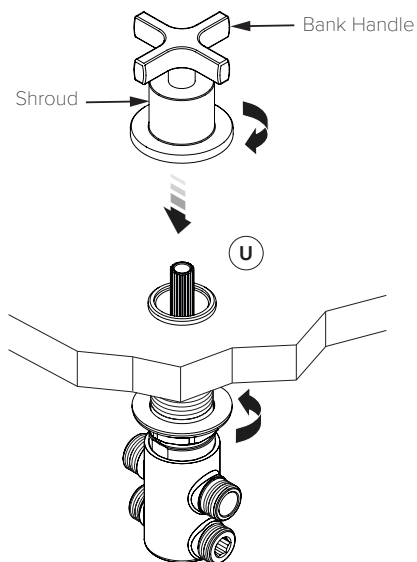
Suitable access is required underneath the mounting surface as the diverter cartridge can only be serviced by removing the diverter assembly from its mounted position.

COALBROOK

www.coalbrookuk.co.uk | info@coalbrookuk.co.uk

DIVERTER INSTALLATION DIAGRAM (STEP 4)

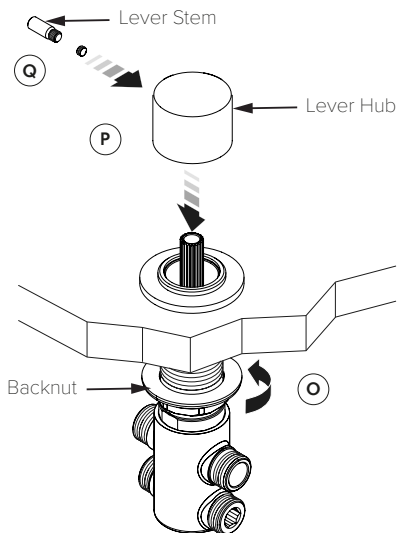
BANK



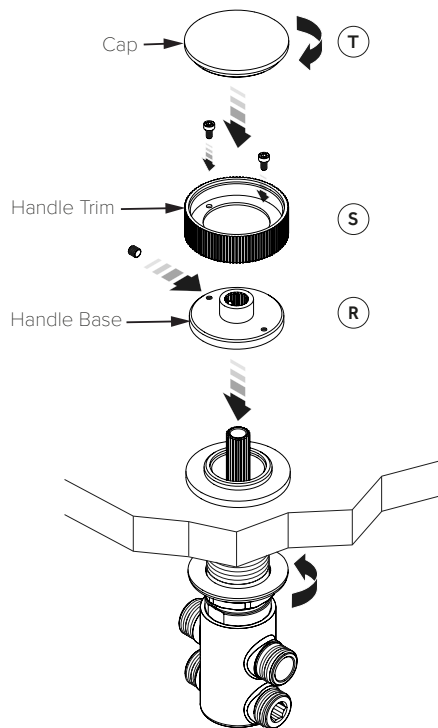
4. For Bank diverter trim assembly, locate the Bank handle (U) onto the spline and secure by screwing the shroud onto the diverter body

DIVERTER INSTALLATION DIAGRAM (STEPS 4 - 9)

DOMO



DECCA

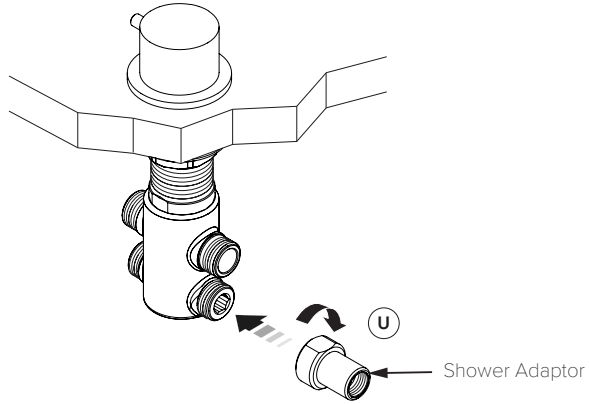


4. Rotate the diverter body so that the side outlet ports are facing the required direction for connections.
5. Once the diverter valve orientation is confirmed, screw the backnut (O) to secure the diverter valve body in place. Do not over tighten.
6. For Domo trim assemblies, locate the lever hub (P) onto the diverter spindle and secure using the provided grub screw. The lever stem (Q) can then be screwed into the hub.
7. For Decca trim assemblies, locate the handle base (R) onto the diverter spindle and secure using the provided grub screw.
8. The handle trim (S) can then be secured to the base using the two set screws.
9. Screw the cap (T) onto the trim to complete the installation.

COALBROOK

www.coalbrookuk.co.uk | info@coalbrookuk.co.uk

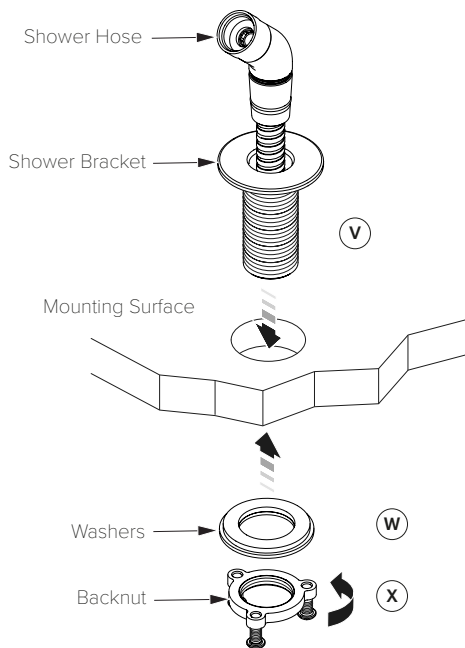
DIVERTER INSTALLATION DIAGRAM (STEP 10)



10. Once the diverter is fully installed, the shower adaptor (U) can be screwed onto it's required outlet port.

Please refer to 'Making the Connections' sections for port details.

SHOWER INSTALLATION DIAGRAM (STEPS 1 - 4)

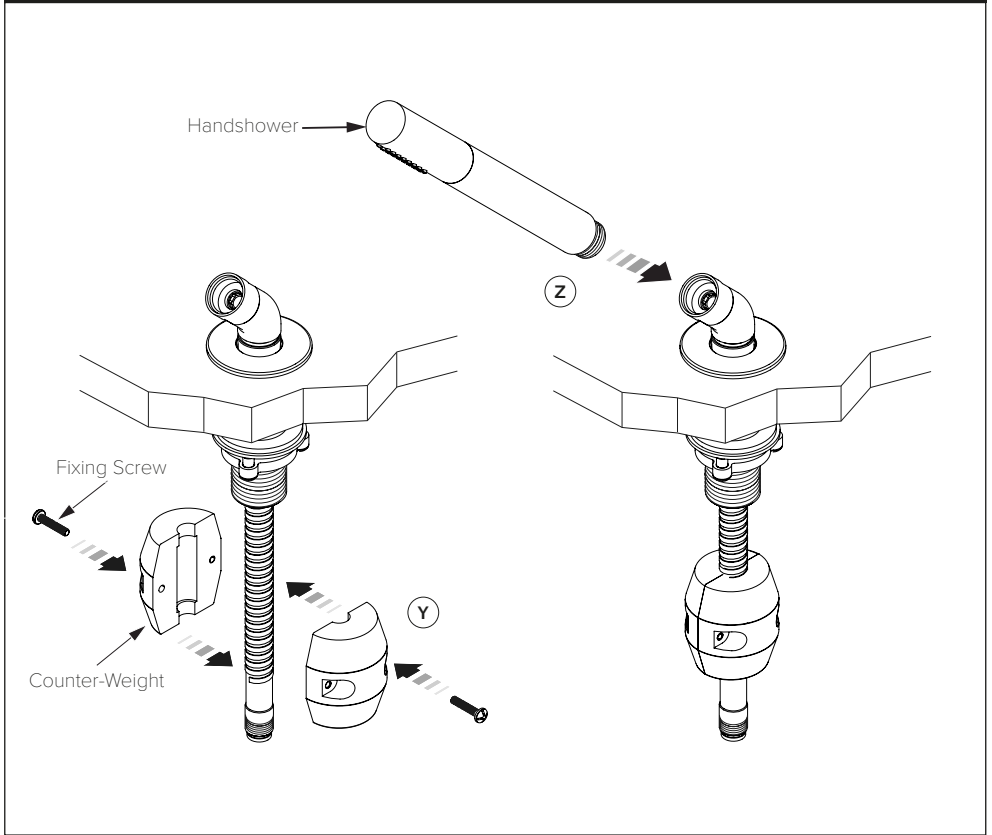


1. When necessary, drill a suitable size hole in the mounting surface to suit the threaded tail of the shower bracket (V) which is $\text{Ø}29$.
2. Pass the threaded tail of the shower bracket (V) through the hole in the mounting surface.
3. Locate both washers (W) onto the threaded tail. Ensure that the rubber washer is assembled first so that it comes into direct contact with the mounting surface.
4. Screw the backnut (X) onto the threaded tail, and tighten the shower bracket to the mounting surface using the three attached screws. Do not over tighten.

COALBROOK

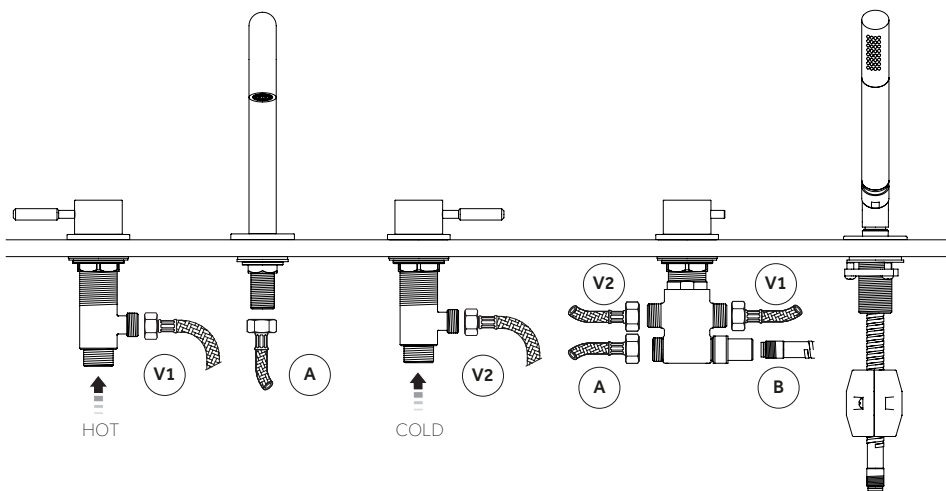
www.coalbrookuk.co.uk | info@coalbrookuk.co.uk

SHOWER INSTALLATION DIAGRAM (STEPS 5 - 6)



5. Once the shower bracket and hose are in place, install the counter-weight 1/3 of the way up the hose (Y). This can be completed by aligning the two halves around the hose and securing in place using the two provided screws.
6. To finalise the installation, screw the handshower into the angled bracket on the hose (Z).

CONNECTIONS INSTALLATION DIAGRAM

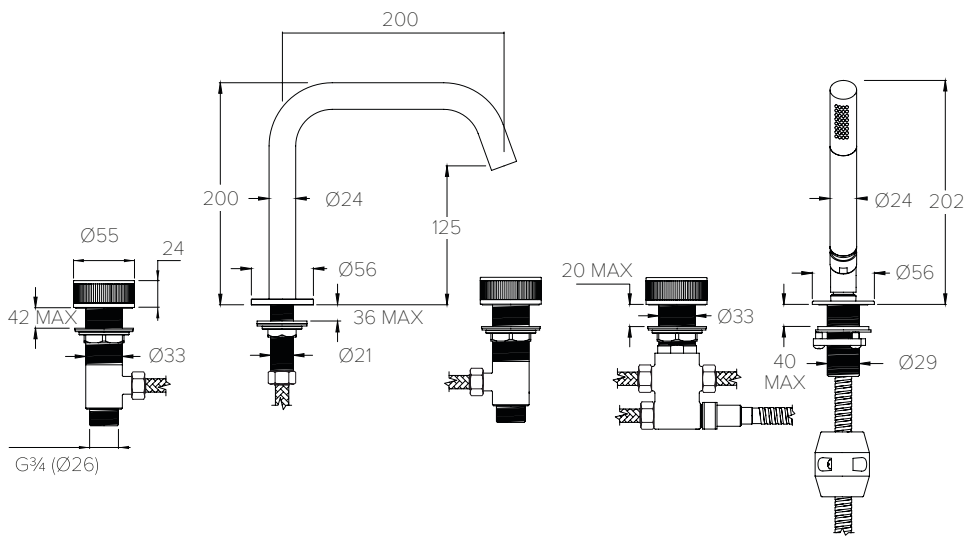
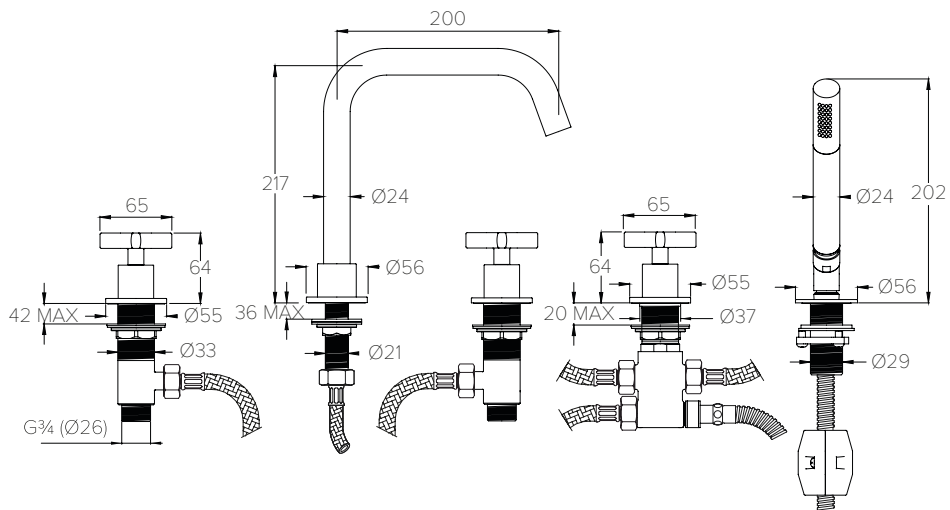


1. Connect the hot and cold water supplies at the bottom inlet of both flow valves.
2. Follow the coded pairs in the diagram above to check relevant plumbing connections.
3. Check all connections for leaks before concealing pipework and finishing installation.

COALBROOK

www.coalbrookuk.co.uk | info@coalbrookuk.co.uk

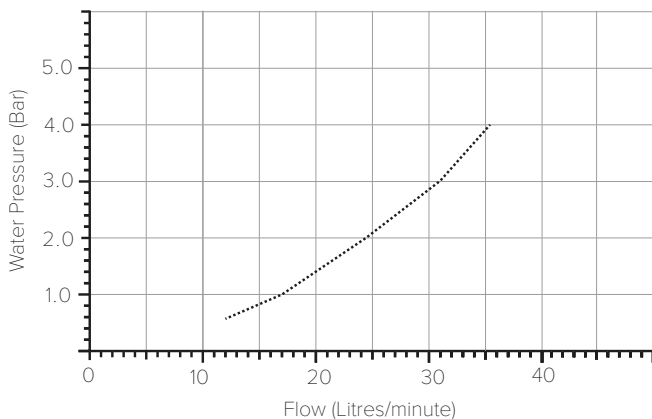
SPECIFICATION DIAGRAM (BA2000 & DC2000) (mm)



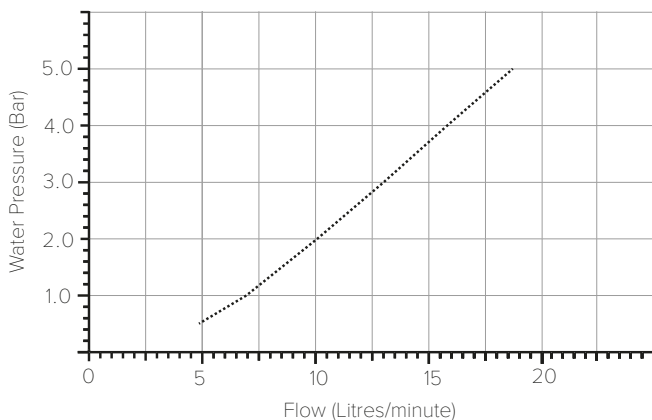
COALBROOK

TYPICAL FLOW RATES (DO2000 & DC2000)

Flow rates shown are free-flowing and may vary subject to restrictions created by installation, pipework layout or application



Water Pressure (Bar)	Spout (Litres/minute)
0.5	12.1
1.0	16.9
2.0	24.4
3.0	31.1
4.0	35.3
5.0	-



Water Pressure (Bar)	Handshower (Litres/minute)
0.5	4.7
1.0	6.9
2.0	10.2
3.0	13.0
4.0	15.7
5.0	18.7

COALBROOK



COALBROOK

Whilst every effort is made to ensure the accuracy of these, they are subject to change without notice as part of the company's product development process. The use of trademarks, product design and artwork is subject to licence or agreement. The design registrations, trademark registrations and copyrights are protected by law and the use or reproduction outside the terms of an agreement is prohibited.

The right to modify designs and dimensions is reserved. E & O.E.

COALBROOK

www.coalbrookuk.co.uk | info@coalbrookuk.co.uk