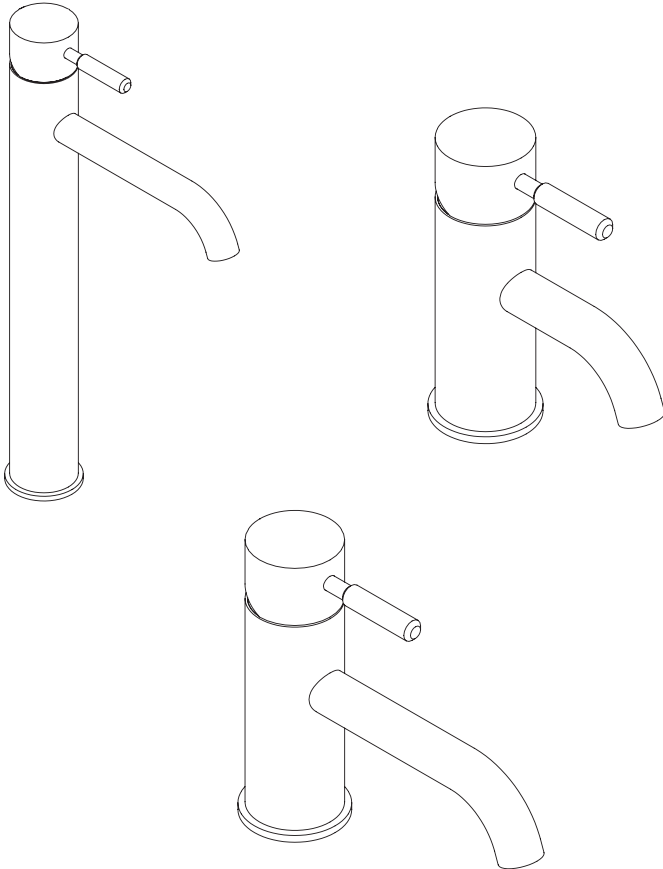




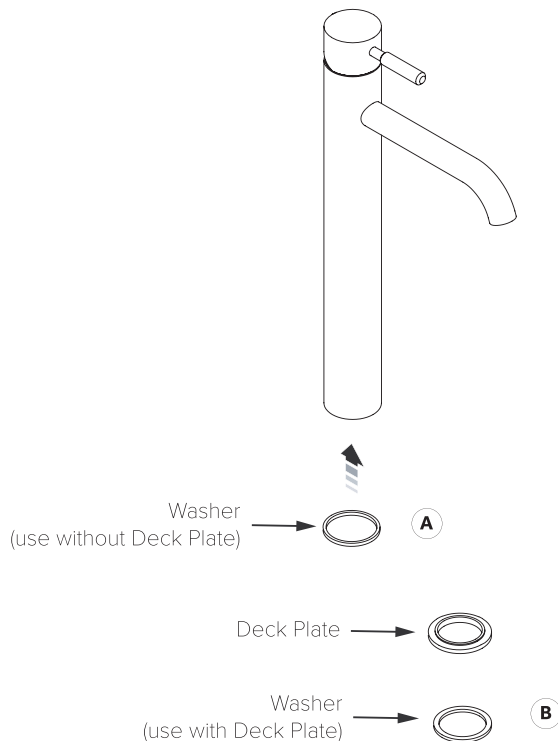
COALBROOK



MONOBLOC MIXER INSTALLATION

DO1022 | DO1023 | DO1024
DC1022 | DC1023 | DC1024

MONOBLOC MIXER INSTALLATION DIAGRAM (STEPS 1 - 3)

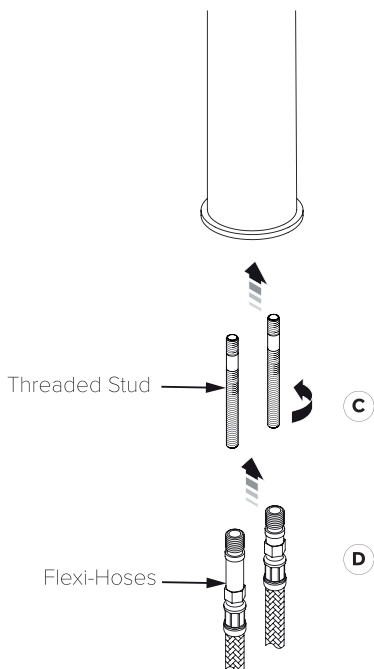


1. Where required, drill a $\varnothing 34$ hole in the mounting surface.
2. If the hole has been drilled purposefully for this product, the monobloc mixer can be installed with or without the deck plate. Use washer (A) if installing without the deck plate.
3. If the mixer is being installed into a ceramic basin, with a pre-existing hole, the deck plate must be used as part of the installation. Use washer (B) if installing with the deck plate.

COALBROOK

www.coalbrookuk.co.uk | info@coalbrookuk.co.uk

MONOBLOC MIXER INSTALLATION DIAGRAM (STEPS 4 -5)

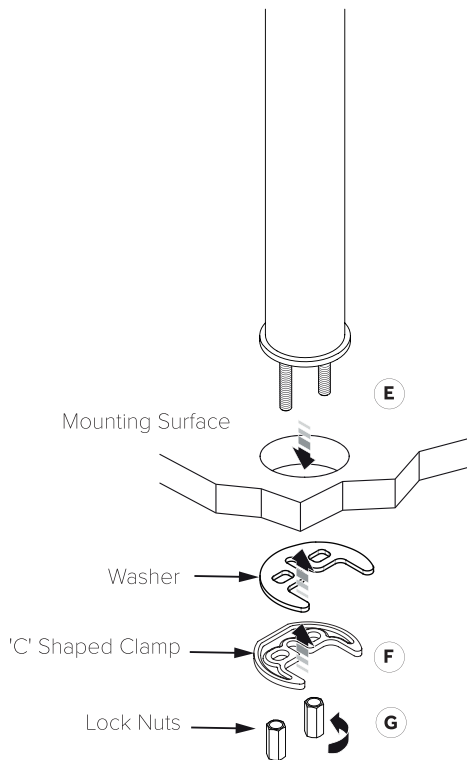


4. Screw the threaded studs into the threaded holes in the underside of the monobloc mixer (C).
5. The two flexible hoses can also be assembled into the two remaining threaded ports in the underside of the monobloc mixer (D).

COALBROOK

www.coalbrookuk.co.uk | info@coalbrookuk.co.uk

MONOBLOC MIXER INSTALLATION DIAGRAM (STEPS 6 - 8)



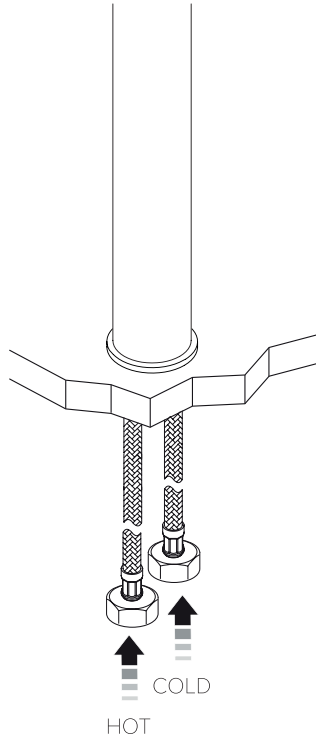
Washer

6. Locate the monobloc mixer to the hole in the mounting surface (E).
7. Locate the washer into the recess on the 'C' shape clamp (F) then locate the clamp over the two threaded studs.
8. Screw the lock nuts onto the threaded studs and align the spout (G). Tighten the nuts to secure the monobloc mixer in place. Do not over tighten.

COALBROOK

www.coalbrookuk.co.uk | info@coalbrookuk.co.uk

MONOBLOC MIXER INSTALLATION DIAGRAM (STEPS 9 - 10)



9. Connect hoses to the appropriate hot and cold water supplies.

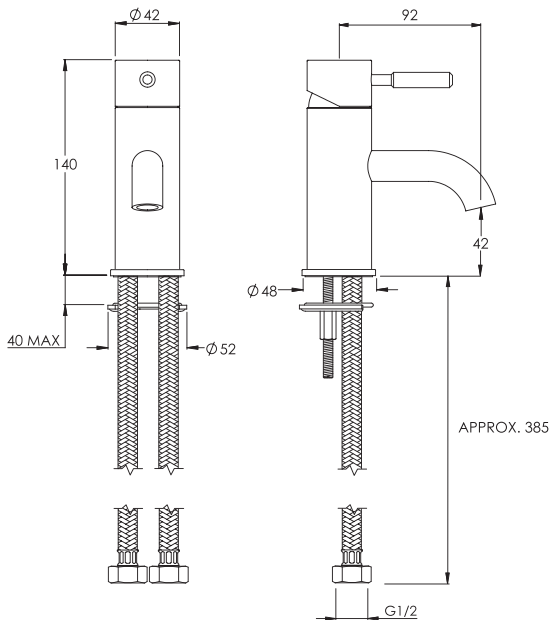
The hot connection must be made to the port on the left hand side of the mixer, and the cold connection to the right hand side.

10. Check all connections for leaks before concealing pipework and finishing installation.

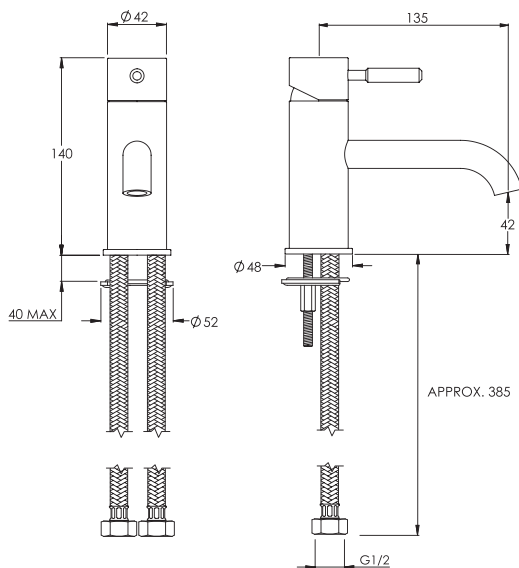
COALBROOK

www.coalbrookuk.co.uk | info@coalbrookuk.co.uk

SPECIFICATION DIAGRAM (DO1022/DC1022) (mm)

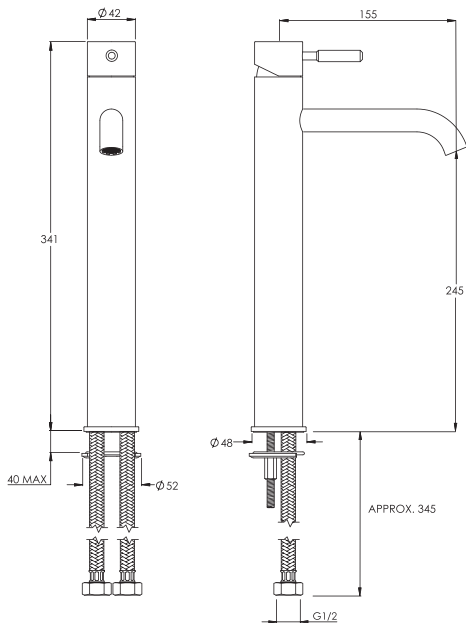


SPECIFICATION DIAGRAM (DO1023/DC1023) (mm)



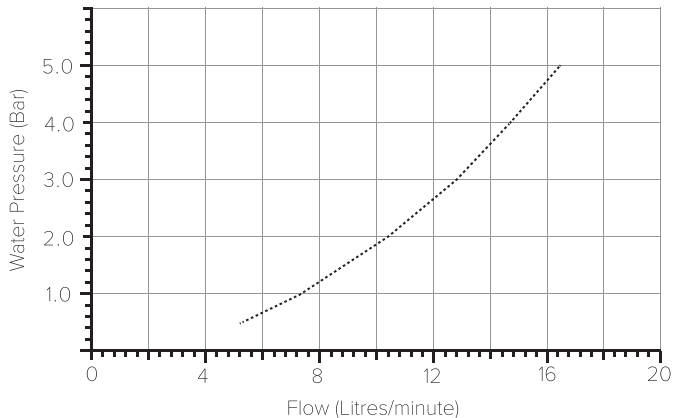
COALBROOK

SPECIFICATION DIAGRAM (DO1024/DC1024) (mm)



TYPICAL FLOW RATES (DO1022/DC1022/DO1023/DC1023/DO1024/DC1024)

Flow rates shown are free-flowing and may vary subject to restrictions created by installation, pipework layout or application



Water Pressure (Bar)	Outlet (Litres/minute)
0.5	5.2
1.0	7.3
2.0	10.3
3.0	12.7
4.0	14.6
5.0	16.5

COALBROOK

www.coalbrookuk.co.uk | info@coalbrookuk.co.uk



COALBROOK

Whilst every effort is made to ensure the accuracy of these, they are subject to change without notice as part of the company's product development process. The use of trademarks, product design and artwork is subject to licence or agreement. The design registrations, trademark registrations and copyrights are protected by law and the use or reproduction outside the terms of an agreement is prohibited.

The right to modify designs and dimensions is reserved. E & O.E.

COALBROOK

www.coalbrookuk.co.uk | info@coalbrookuk.co.uk