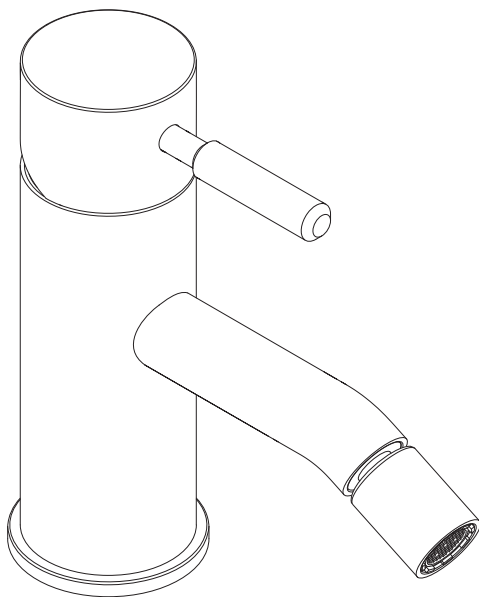




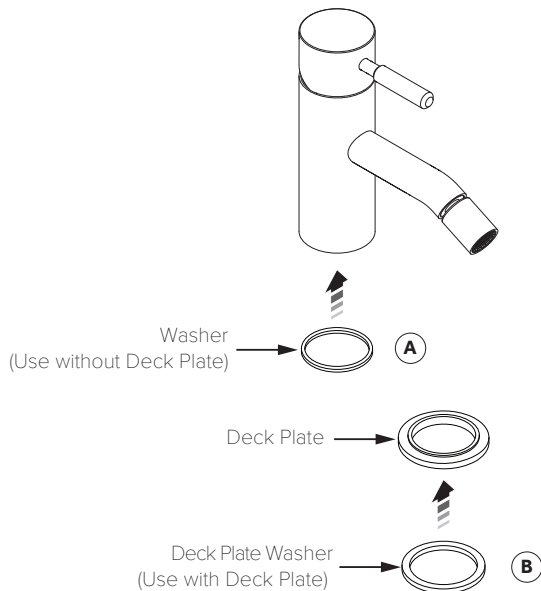
COALBROOK



**BIDET MIXER WITH POP-UP WASTE
INSTALLATION**

DC1010 | DO1010

BIDET MIXER INSTALLATION DIAGRAM (STEPS 1 - 3)

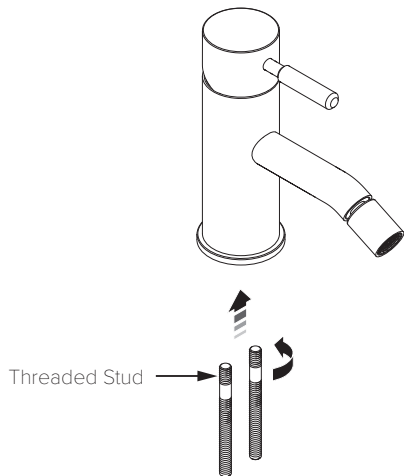


1. Where required, drill a 33mm diameter hole in the mounting surface.
2. If the hole has been drilled purposefully for this product, the bidet mixer can be installed with or without the deck plate. Use washer (A) if installing without the deck plate.
3. If the mixer is being installed into a ceramic basin, with a pre-existing hole, the deck plate must be used as part of the installation. Use washer (B) if installing with the deck plate.

COALBROOK

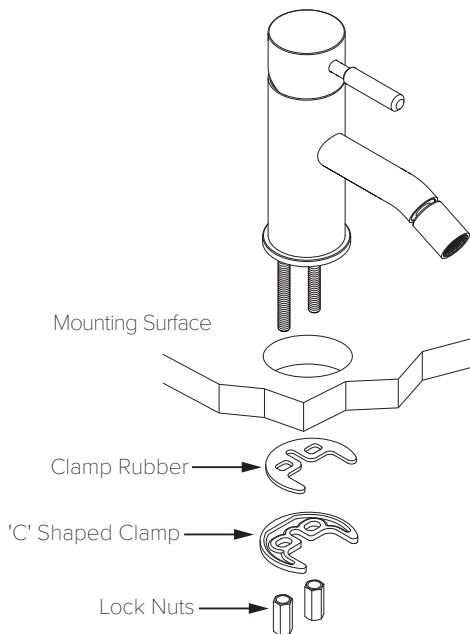
www.coalbrookuk.co.uk | info@coalbrookuk.co.uk

BIDET MIXER INSTALLATION DIAGRAM (STEPS 4)



4. Screw the threaded studs into the threaded holes in the underside of the bidet mixer.

BIDET MIXER INSTALLATION DIAGRAM (STEPS 5 - 7)

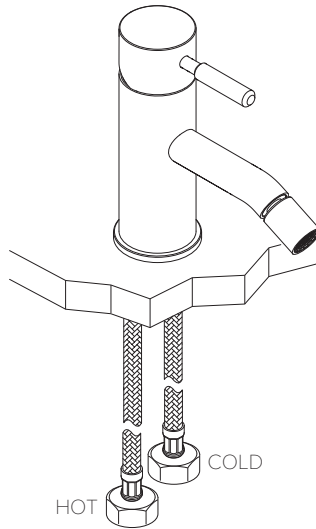


5. Locate the bidet mixer to the hole in the mounting surface.
6. Locate the clamp rubber over the two threaded studs, followed by the 'C' shape clamp.
7. Screw the lock nuts onto the threaded studs and align the bidet mixer. Tighten the nuts to secure the bidet mixer in place. Do not over tighten.

COALBROOK

www.coalbrookuk.co.uk | info@coalbrookuk.co.uk

BIDET MIXER INSTALLATION DIAGRAM (STEPS 8 - 9)

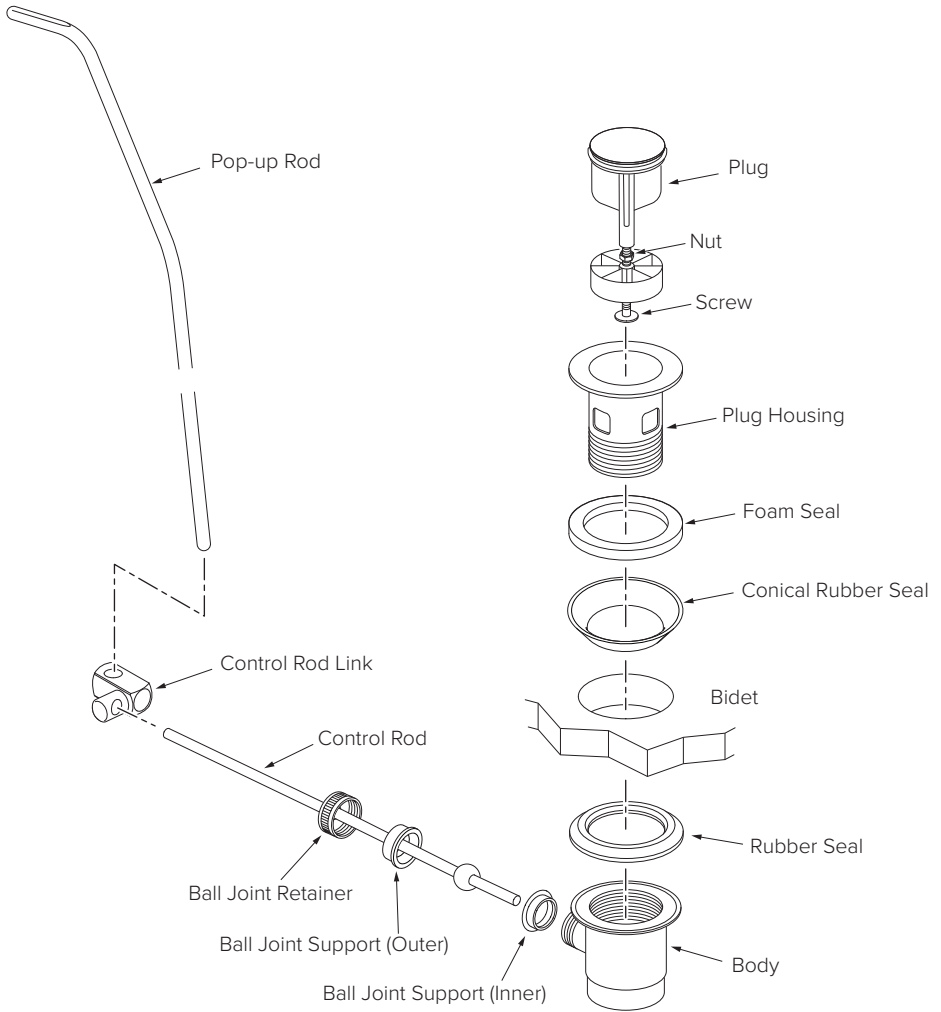


8. Assemble the two flexible hoses into the two remaining threaded ports in the underside of the bidet mixer.
9. Connect hoses to the appropriate hot and cold water supplies. The hot connection must be made to the port on the left hand side of the mixer, and the cold connection to the right hand side.

COALBROOK

www.coalbrookuk.co.uk | info@coalbrookuk.co.uk

BIDET MIXER INSTALLATION DIAGRAM (STEPS 10 - 19)

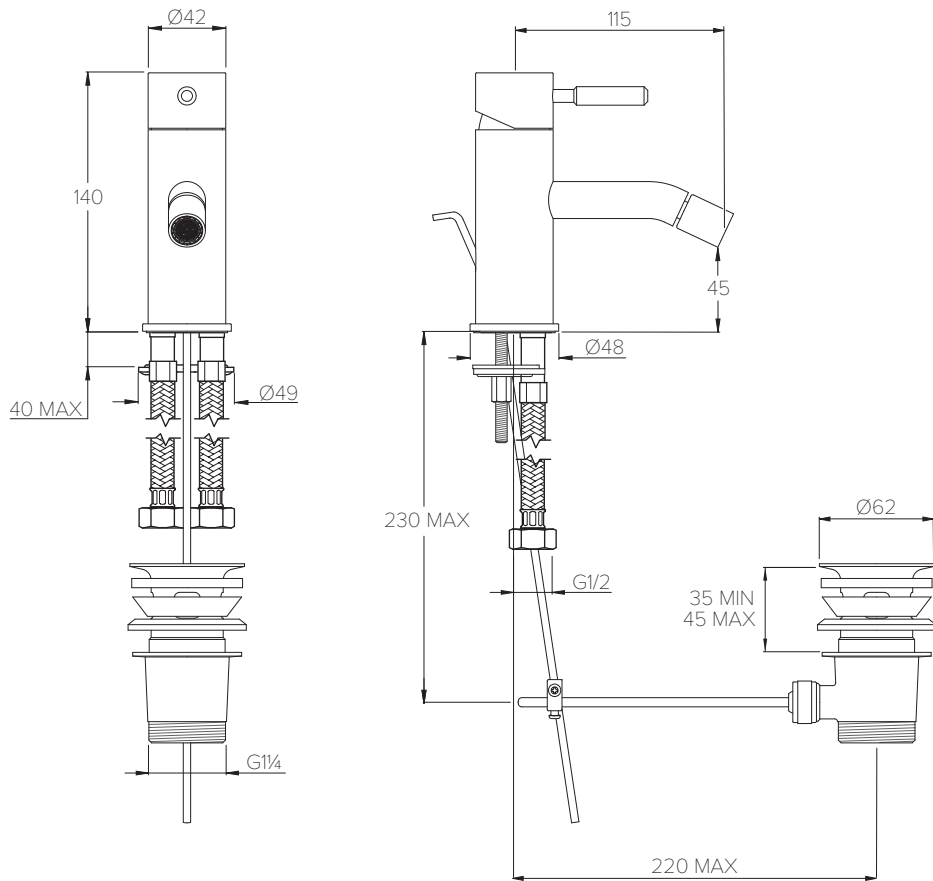


COALBROOK

www.coalbrookuk.co.uk | info@coalbrookuk.co.uk

10. Ensure that the sealing face under bidet is flat and clean before fitting the waste.
11. Place the formed rubber seal on top of the waste body and locate to the underside of the hole in the bidet. Sealing compound can be applied to the hole in the bidet if required.
12. Place the foam seal and conical rubber seal onto the plug housing. Sealing compound can be applied to the hole in the bidet if required. Screw the plug housing in to the waste body. Tighten by hand.
13. Pass the pop-up rod through the body of the bidet mixer.
14. Locate the short end of the control rod, the one with the ball, into the waste and secure by screwing the ball joint retainer in place. Do not over tighten.
15. Place the plug assembly into the waste.
16. Place the control rod link onto the control rod, then feed the pop-up rod through. Gently clamp the control rod link to the control rod and pop-up rod. Test the operation of the pop-up waste and if satisfactory fully tighten the control rod link to both rods. If not satisfactory, then make adjustments to the control rod link as required. If the operation is stiff simply loosen the ball joint retainer as required.
17. Although this should not be required, the screw at the base of the plug can be used to adjust the lift height of the plug. Once adjustments have been made, tighten the nut to hold this position.
18. Connect the bottom of the waste to the waste outlet pipe.
19. Turn on the water supplies and check for leaks. Check the operation of the bidet mixer.

SPECIFICATION DIAGRAM (mm)

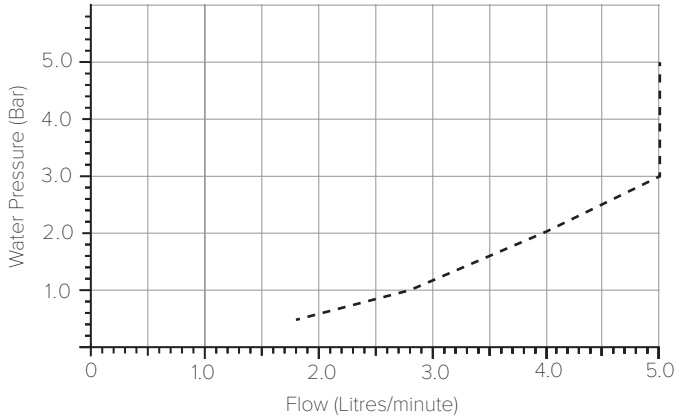


COALBROOK

www.coalbrookuk.co.uk | info@coalbrookuk.co.uk

TYPICAL FLOW RATES

Flow rates shown are free-flowing and may vary subject to restrictions created by installation, pipework layout or application.



Water Pressure (Bar)	Outlet (Litres/minute)
0.5	1.8
1.0	2.8
2.0	4.0
3.0	5.0
4.0	5.0
5.0	5.0



COALBROOK

Whilst every effort is made to ensure the accuracy of these, they are subject to change without notice as part of the company's product development process. The use of trademarks, product design and artwork is subject to licence or agreement. The design registrations, trademark registrations and copyrights are protected by law and the use or reproduction outside the terms of an agreement is prohibited.

The right to modify designs and dimensions is reserved. E & O.E.

V1.0224

COALBROOK

www.coalbrookuk.co.uk | info@coalbrookuk.co.uk