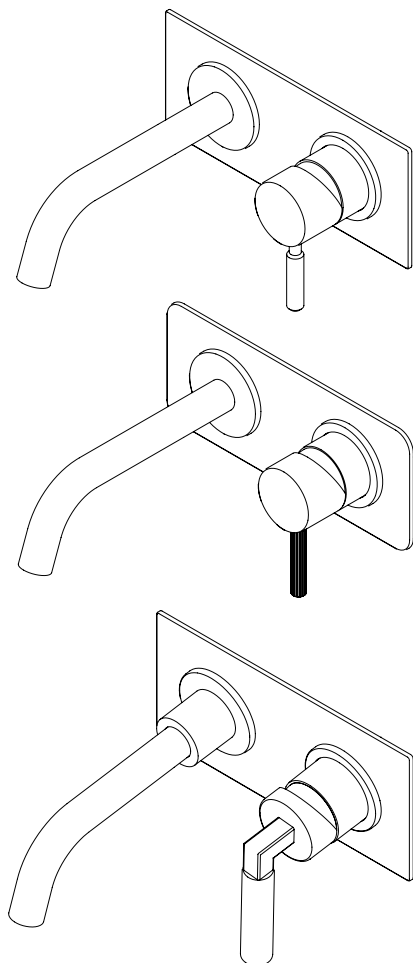
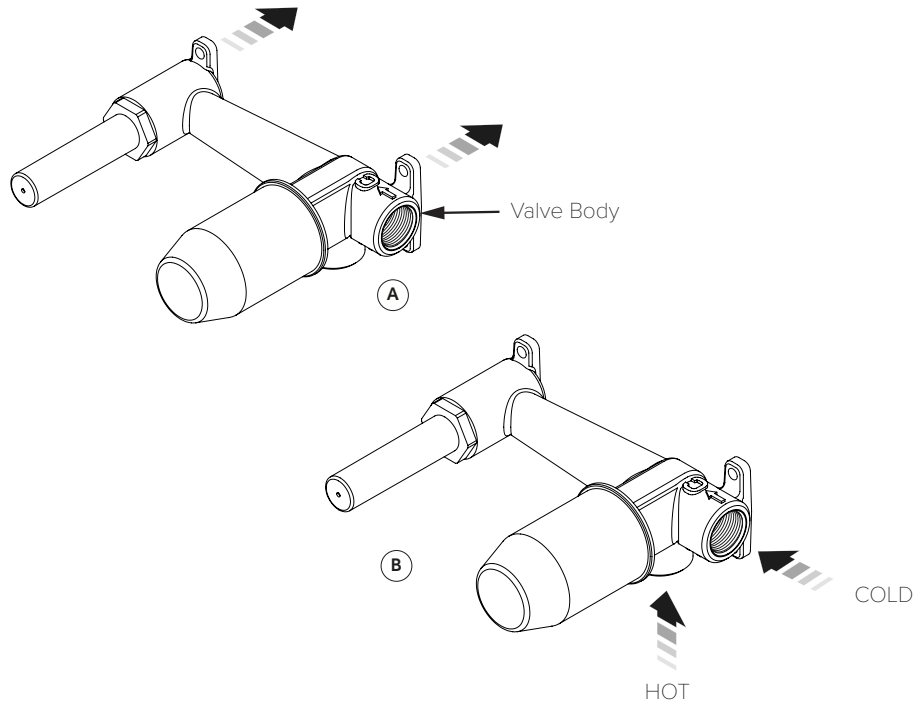


COALBROOK



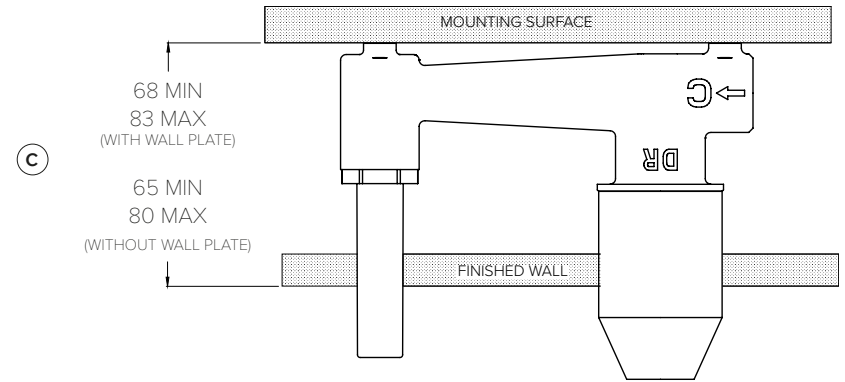
**2 HOLE WALL MOUNTED BASIN MIXER
INSTALLATION**

MIXER VALVE INSTALLATION DIAGRAM (STEPS 1 - 3)



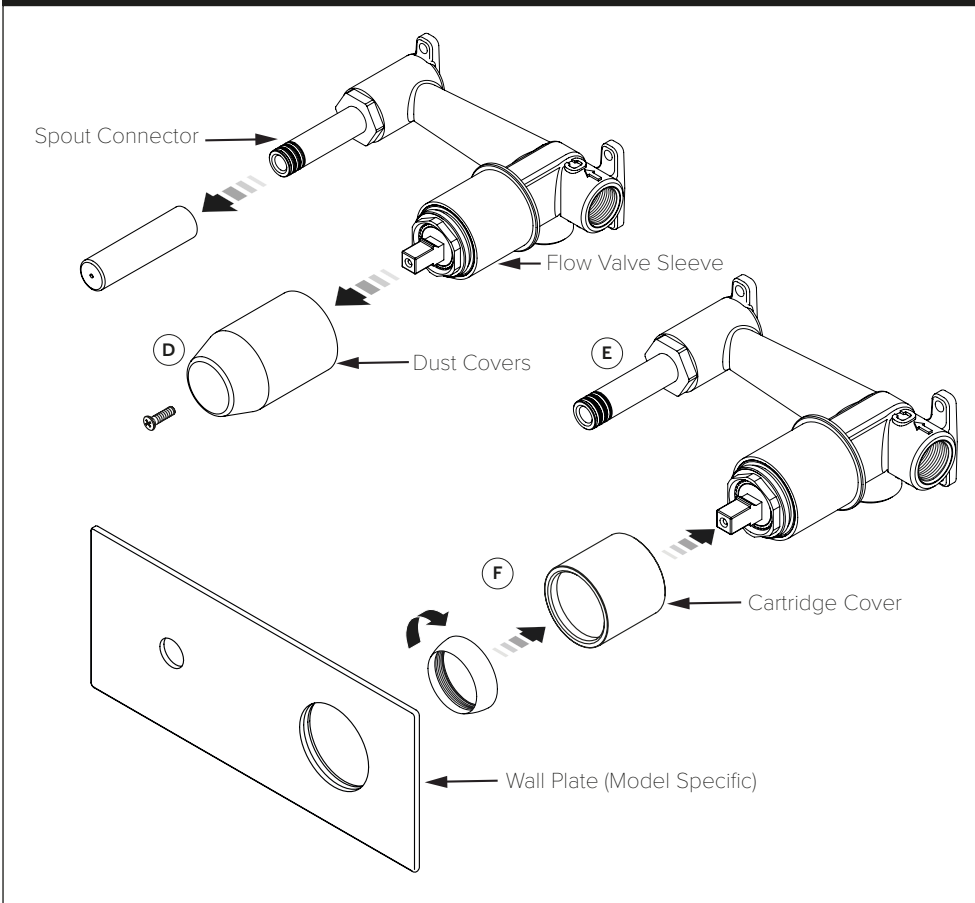
1. Offer the valve body up to the mounting surface and mark the desired drill locations. Use a spirit level to ensure that the mixer valve is horizontal and secure using suitable fixings (A).
2. Connect the hot and cold water supply at the 1/2" BSP inlets of the mixer valve. The hot connection must be made on the bottom port, and the cold connection on the right hand side port.
3. Check all connections for leaks and ensure the dust covers are securely assembled (B) before concealing pipework and continuing installation.

MIXER VALVE INSTALLATION DIAGRAM (STEP 4) (mm)



4. The mixer valve can now be concealed by the finished wall, ensuring a gap of no greater than 5mm is left around the dust covers. Ensure that the valve is installed at the correct depth to comply with the minimum and maximum measurement shown in the diagram opposite (C).

TRIM INSTALLATION DIAGRAM (STEPS 1 - 3)

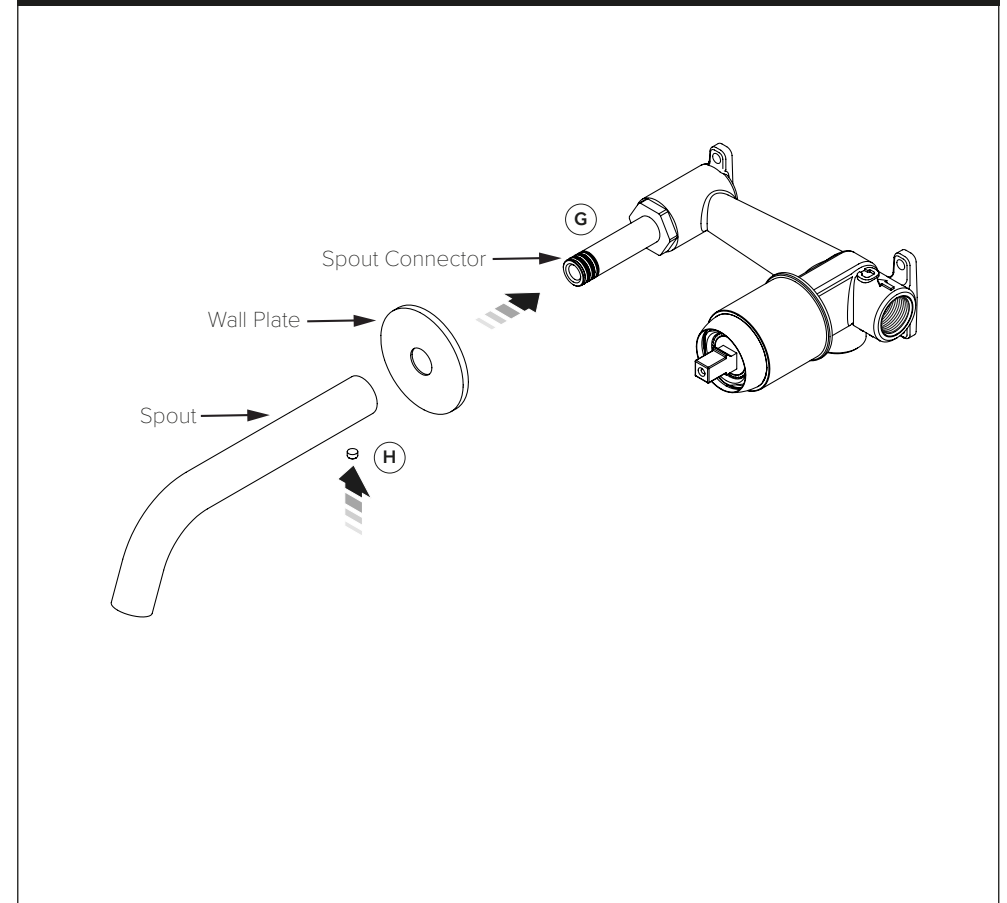


1. Prepare the mixer valve for assembly by removing the dust covers (D) from the spout connector and flow valve sleeve.
2. Locate the cartridge cover and domed shroud (F) onto the mixer valve ensuring that the internal lip of the cartridge cover is at the rear.
3. Model specific - Install the plate by removing the adhesive sticker from the back face and locating it over the cartridge cover and spout connector (E). Use suitable sealant if necessary and ensure the 'O' ring is assembled into the groove of the larger hole in the plate before assembly.

COALBROOK

www.coalbrookuk.co.uk | info@coalbrookuk.co.uk

TRIM INSTALLATION DIAGRAM (STEPS 4- 7)



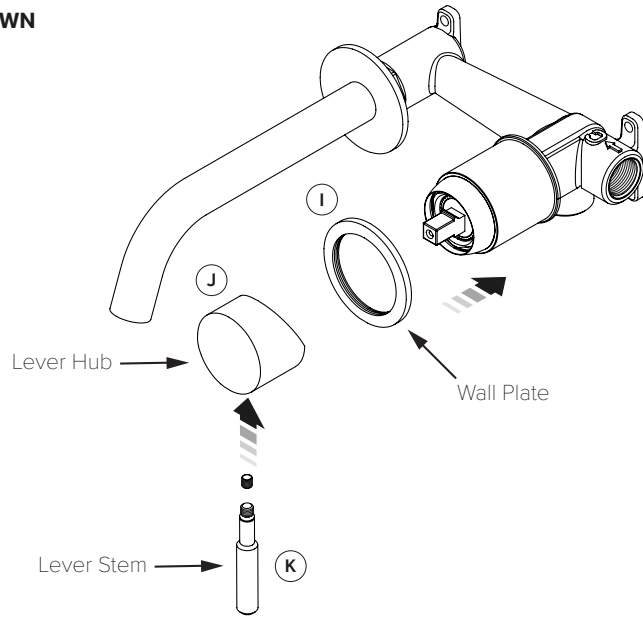
4. Flush out the pipework and mixer valve before installing the spout.
5. Locate the wall plate over the spout connector (G) and slide it down the shaft until it comes into contact with the finished wall surface. Ensure that the 'O' ring is located in the rear of the plate before assembling.
6. Push the spout over the 'O' rings on the spout connector, the spout will come to a stop when pushed onto the connector.
7. Align the spout so that the outlet is facing downwards. Secure the spout in place using the provided grub screw on the underside of the spout (H).

COALBROOK

www.coalbrookuk.co.uk | info@coalbrookuk.co.uk

TRIM INSTALLATION DIAGRAM (STEPS 8 - 15)

DOMO SHOWN

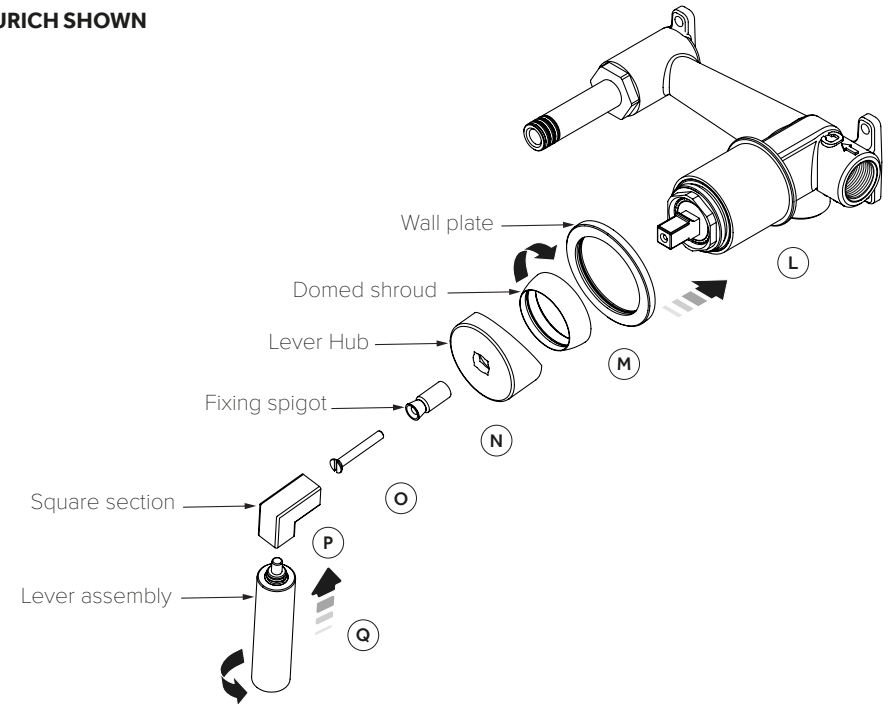


8. To assemble the flow control valve, slide the wall plate over the exposed sleeve until it comes into contact with the finished wall surface (I). Ensure that the 'O' ring is located in the groove within the wall plate before assembling.
9. Locate the lever hub onto the cartridge stem (J). The lever should be facing downwards when in the OFF position. Turning the lever left will provide HOT water, turning the lever right will provide COLD water.
10. Secure the lever hub in place using the provided grub screw and screw the lever stem into the hub (K).
11. To assemble the flow control valve, slide the wall plate over the flow valve sleeve until it comes into contact with the finished wall surface (L). Ensure the 'O' ring is located in the groove within the wall plate before assembling.
12. Screw the domed shroud onto the exposed thread found around the collar of the single lever cartridge (M).
13. Locate the lever hub onto the cartridge stem (N).
14. Secure the fixing spigot to the cartridge using the provided screw (O).
15. Slide the square section over the fixing spigot until it makes contact with the lever hub (P) and secure by screwing the lever assembly up so that it makes contact with the fixing spigot (Q). The lever should be facing downwards when in a OFF position with mixed water. Turning the lever left will provide HOT water, turning the lever right will provide COLD water.

COALBROOK

TRIM INSTALLATION DIAGRAM (STEPS 16 - 20)

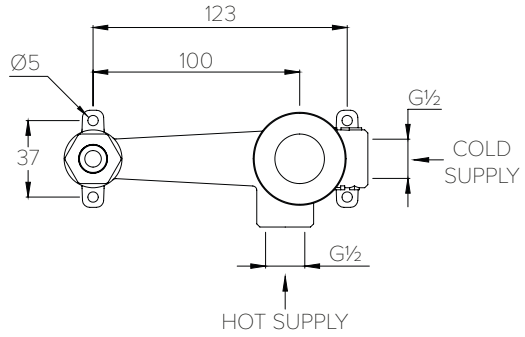
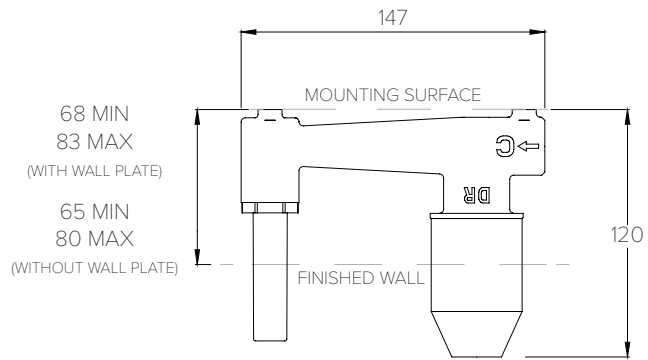
ZURICH SHOWN



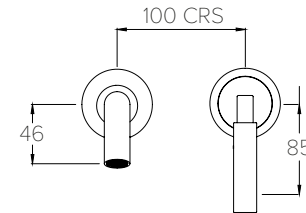
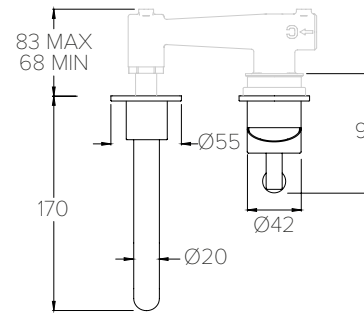
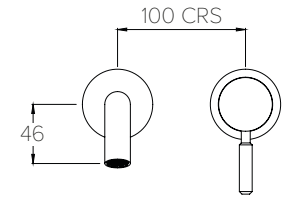
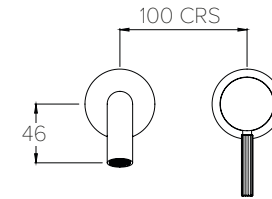
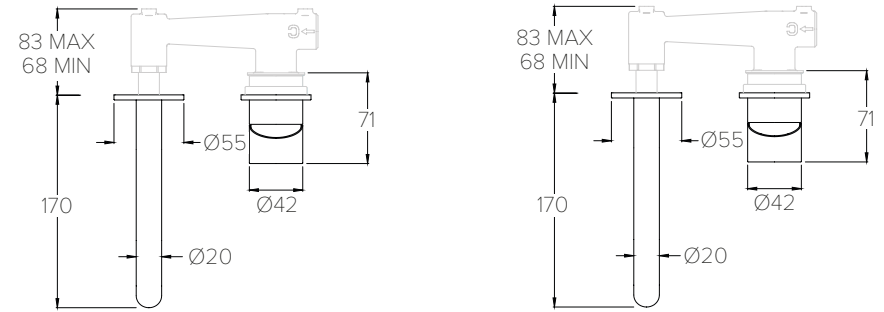
16. To assemble the flow control valve, slide the wall plate over the flow valve sleeve until it comes into contact with the finished wall surface (L). Ensure the 'O' ring is located in the groove within the wall plate before assembling.
17. Screw the domed shroud onto the exposed thread found around the collar of the single lever cartridge (M).
18. Locate the lever hub onto the cartridge stem (N).
19. Secure the fixing spigot to the cartridge using the provided screw (O).
20. Slide the square section over the fixing spigot until it makes contact with the lever hub (P) and secure by screwing the lever assembly up so that it makes contact with the fixing spigot (Q). The lever should be facing downwards when in a OFF position with mixed water. Turning the lever left will provide HOT water, turning the lever right will provide COLD water.

COALBROOK

SPECIFICATION DIAGRAM (mm)



SPECIFICATION DIAGRAM (DC1201, DO1201 & ZU1007) (mm)



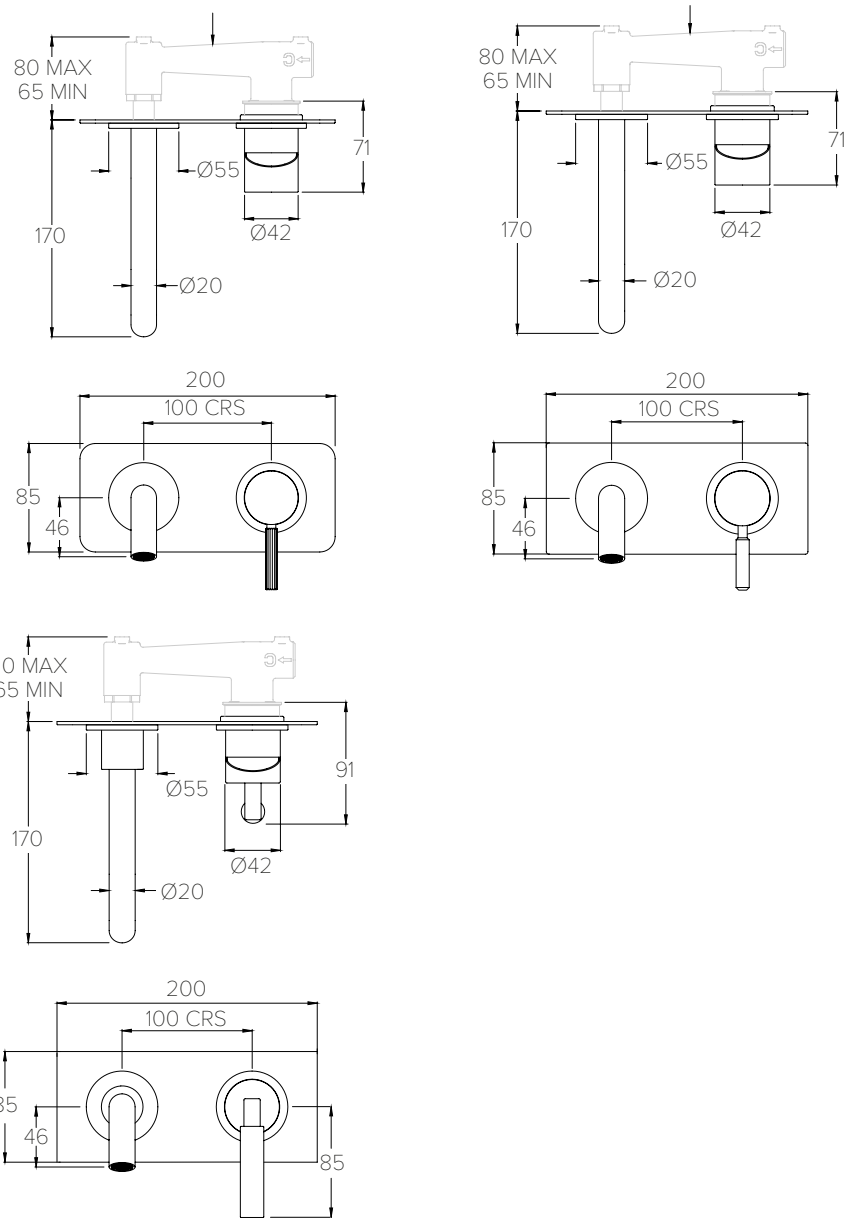
COALBROOK

www.coalbrookuk.co.uk | info@coalbrookuk.co.uk

COALBROOK

www.coalbrookuk.co.uk | info@coalbrookuk.co.uk

SPECIFICATION DIAGRAM (DC1009, DO1009 & ZU1009) (mm)

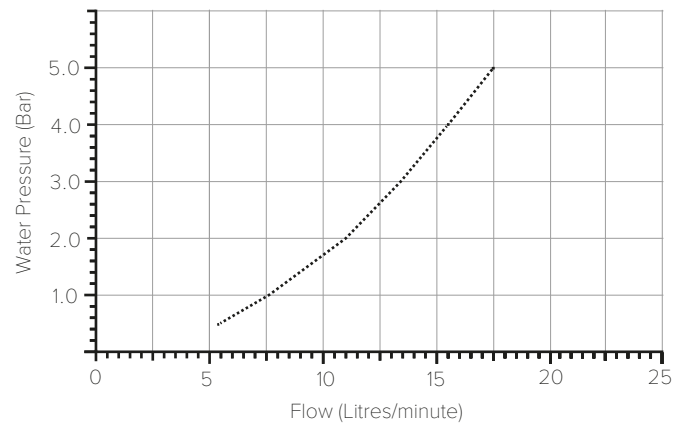


COALBROOK

www.coalbrookuk.co.uk | info@coalbrookuk.co.uk

TYPICAL FLOW RATES

Flow rates shown are free-flowing and may vary subject to restrictions created by installation, pipework layout or application



Water Pressure (Bar)	Outlet (Litres/minute)
0.5	5.5
1.0	7.6
2.0	10.9
3.0	13.3
4.0	15.5
5.0	17.4

COALBROOK

www.coalbrookuk.co.uk | info@coalbrookuk.co.uk



COALBROOK

Whilst every effort is made to ensure the accuracy of these, they are subject to change without notice as part of the company's product development process. The use of trademarks, product design and artwork is subject to licence or agreement. The design registrations, trademark registrations and copyrights are protected by law and the use or reproduction outside the terms of an agreement is prohibited.

The right to modify designs and dimensions is reserved. E & O.E.

v1.0721

COALBROOK

www.coalbrookuk.co.uk | info@coalbrookuk.co.uk